



SEALING SOLUTIONS COMPANY

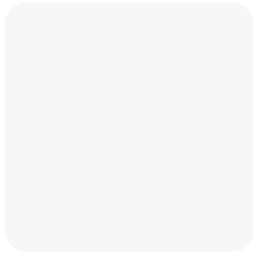


**SEALS
CATALOG 2025 - 2026**

FOR PVC CONSTRUCTIONS

OUR PRODUCTION PLANTS
UKRAINE POLAND

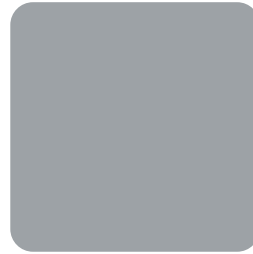
COLORS BY RAL



WHITE



RAL 7035
Light gray



RAL 7040
Gray



RAL 9005
Black



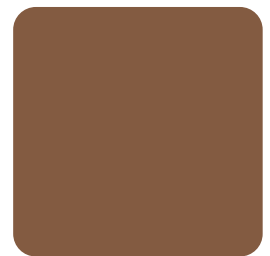
RAL 1001
Beige



RAL 1014
Oak mocha



RAL 8024
Alder



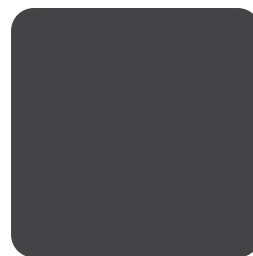
RAL 8003
Brown



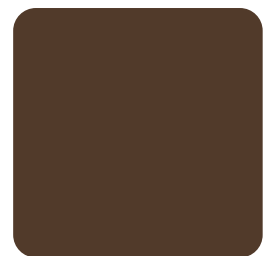
RAL 7024
Dark gray



RAL 7022
Anthracite



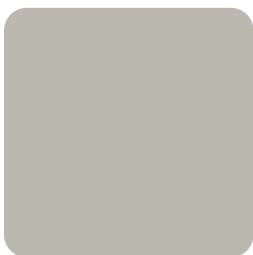
RAL 9004
Saxon oak



RAL 8028
Dark brown



RAL 1015
Birch



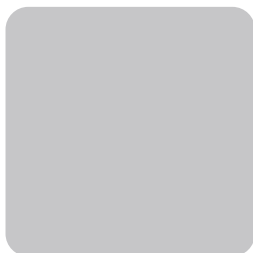
RAL 7044
Oak latte



RAL 9018
Light gray



RAL 8014
Dark brown



RAL 7047
Light gray



RAL 1011
Light brown



RAL 1019
Gray oak



SEALS FOR PVC CONSTRUCTIONS ONE-COMPONENT

WINDING LENGTH - 600 m

PVC WINDOWS SEAL 001 P1M001

WINDING LENGTH - 250 m

PVC WINDOWS SEAL 001 P1R001

WINDING LENGTH - 40 m/50 m

PVC WINDOWS SEAL 002 P1P002

WINDING LENGTH - 300 m

PVC WINDOWS SEAL 005 P1U005

WINDING LENGTH - 200 m

PVC WINDOWS SEAL 009 P1S009

WINDING LENGTH - 300 m

PVC WINDOWS SEAL 014 P1Z009

WINDING LENGTH - 200 m

PVC WINDOWS SEAL 038 P1S038

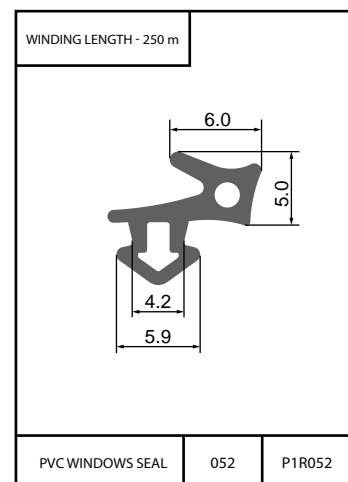
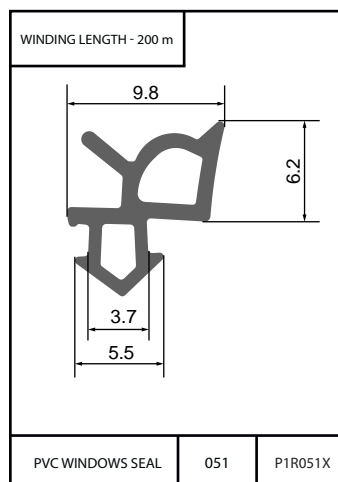
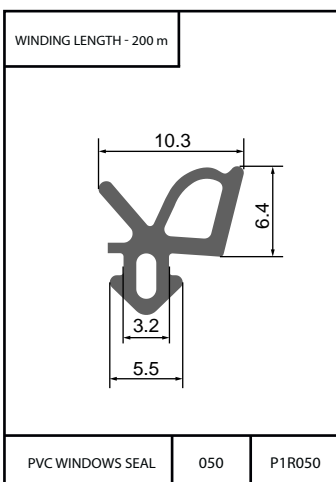
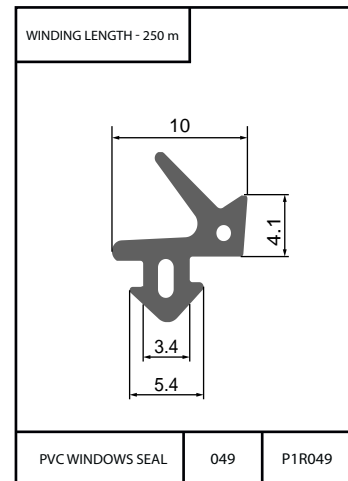
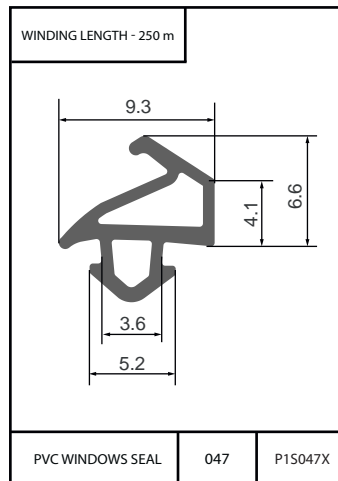
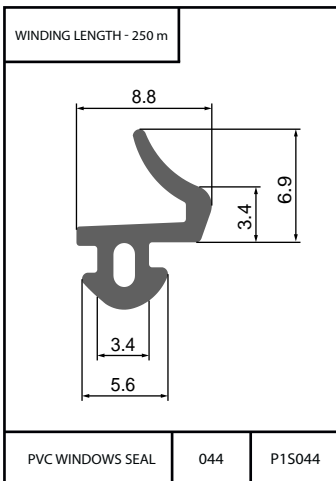
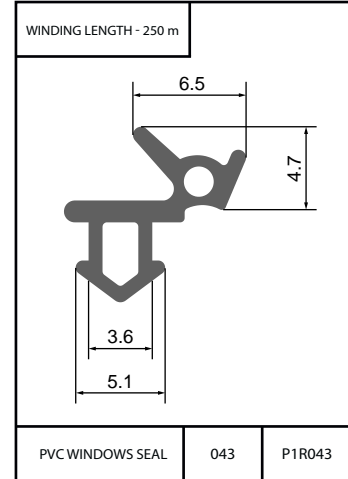
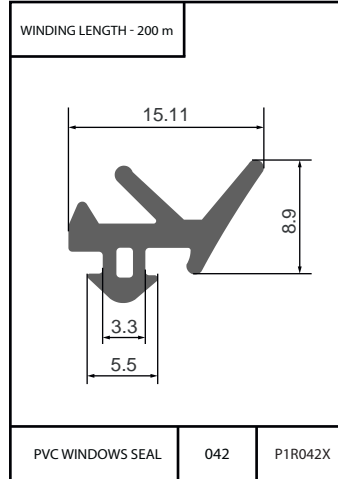
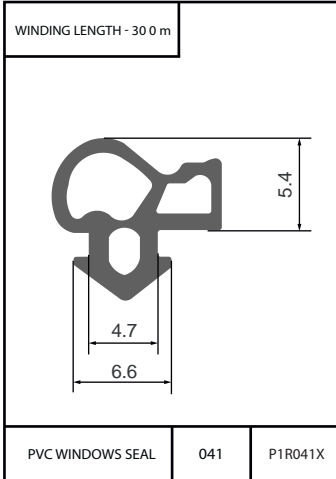
WINDING LENGTH - 200 m

PVC WINDOWS SEAL 039 P1R039

WINDING LENGTH - 300 m

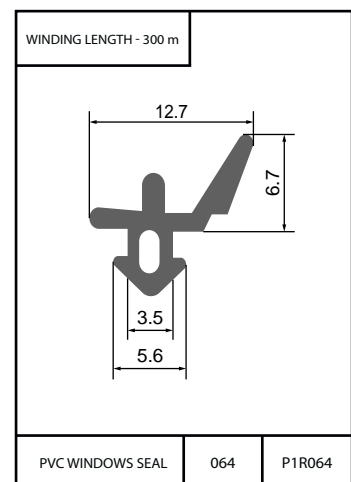
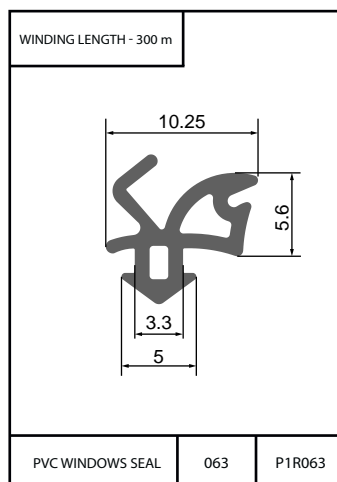
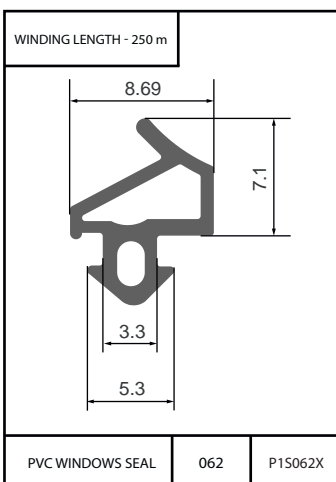
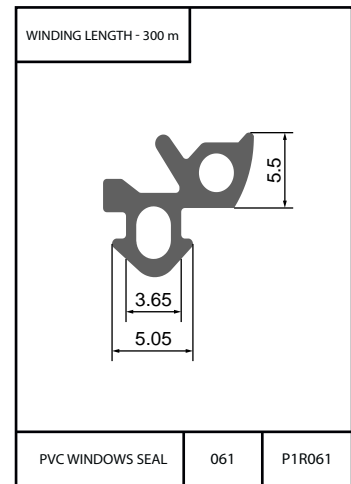
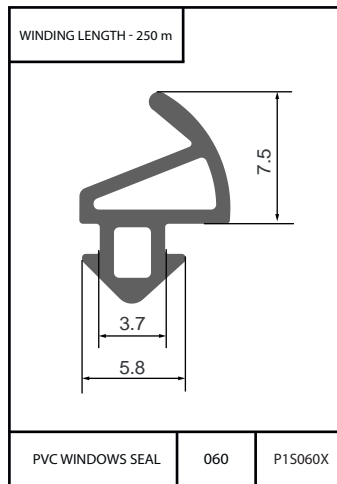
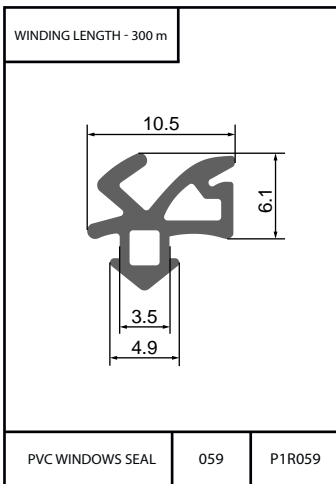
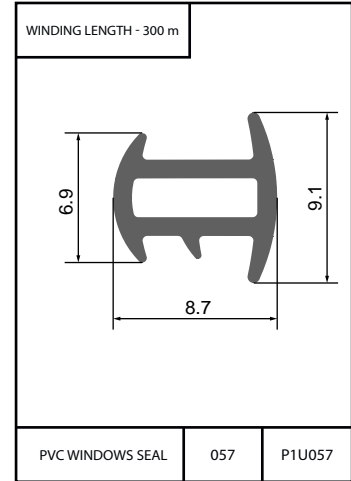
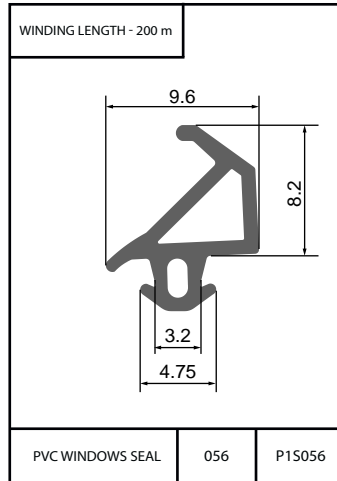
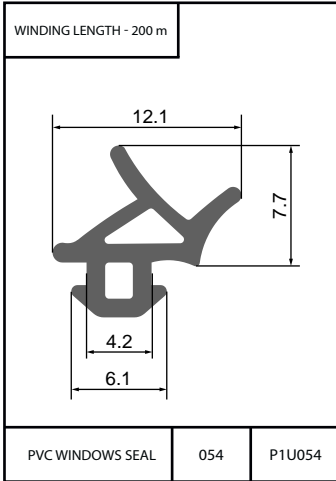
PVC WINDOWS SEAL 040 P1R040X

SEALS FOR PVC CONSTRUCTIONS ONE-COMPONENT



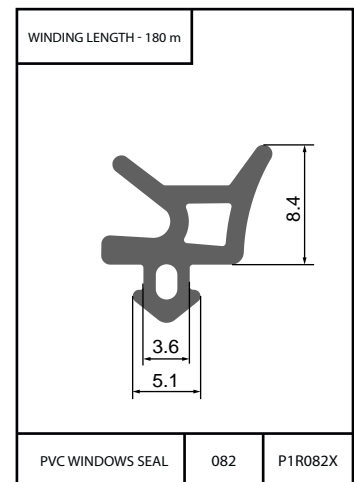
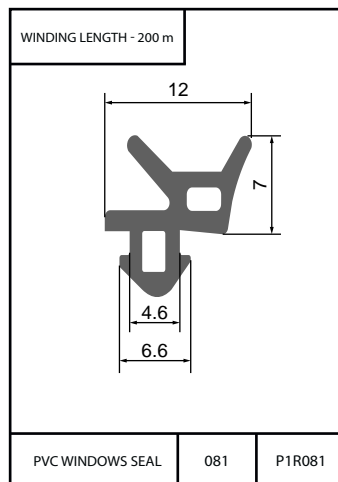
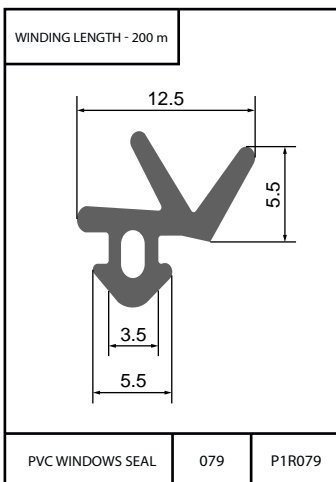
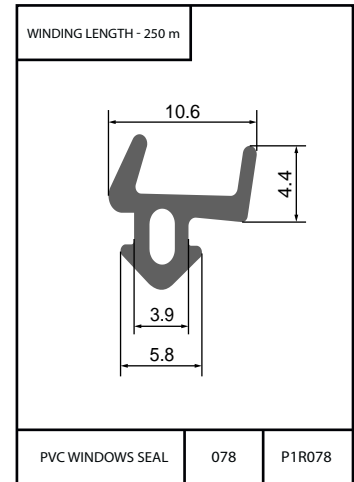
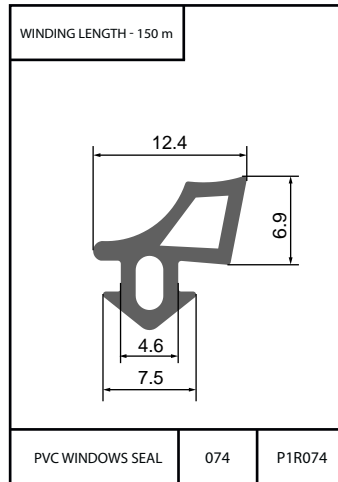
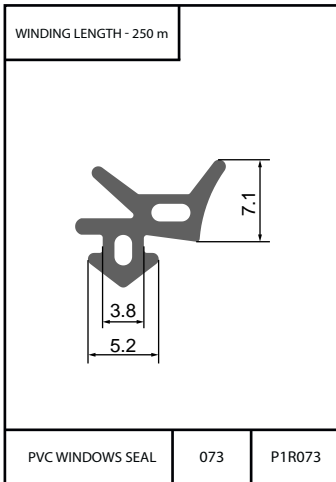
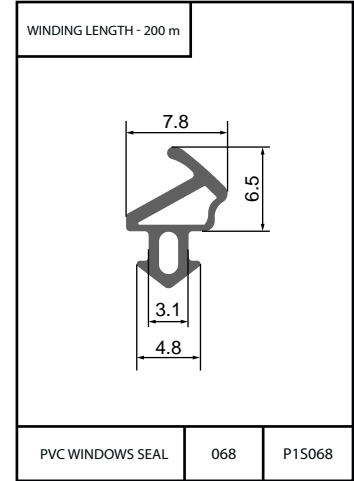
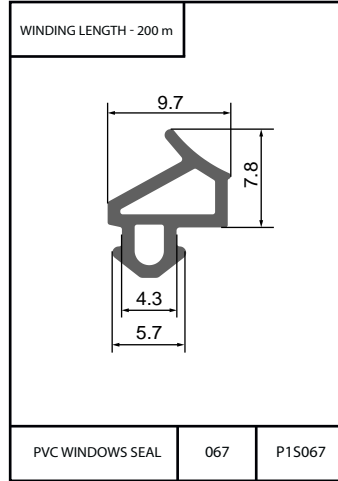
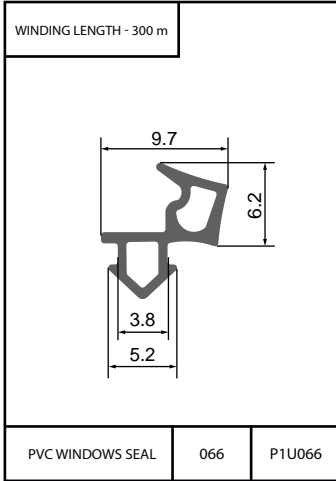


SEALS FOR PVC CONSTRUCTIONS ONE-COMPONENT

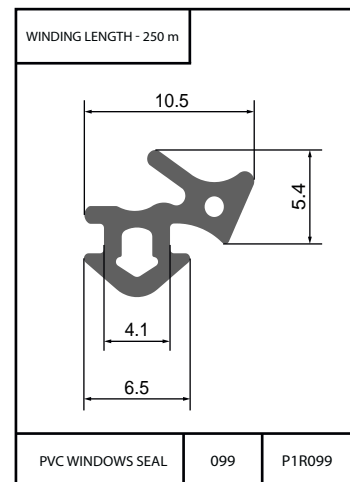
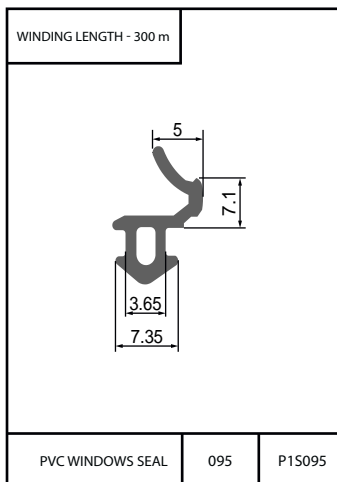
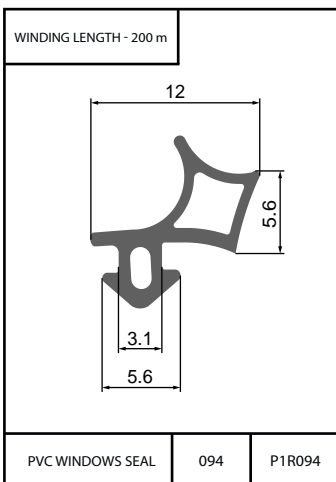
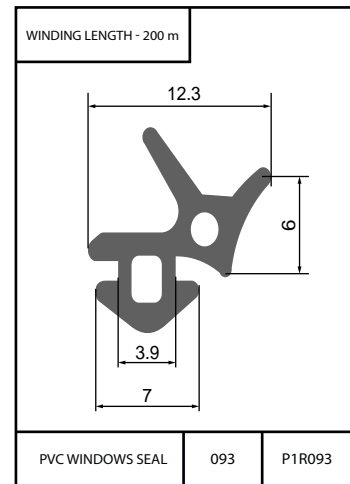
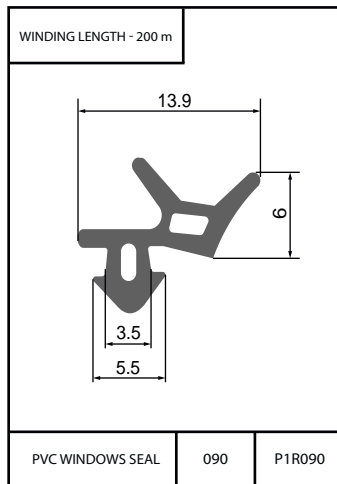
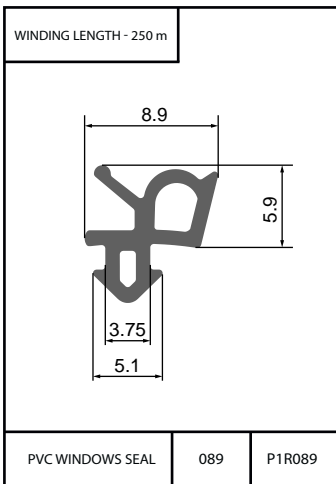
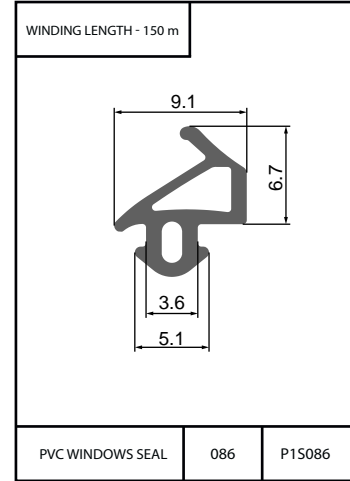
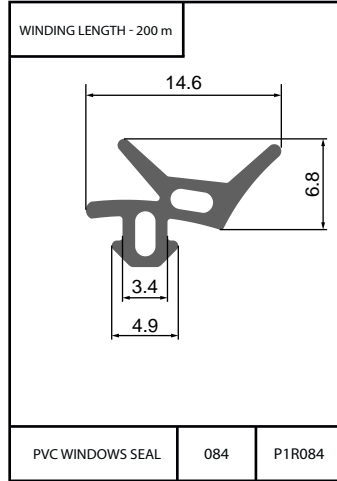
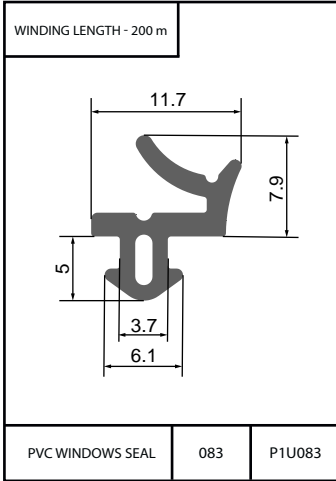




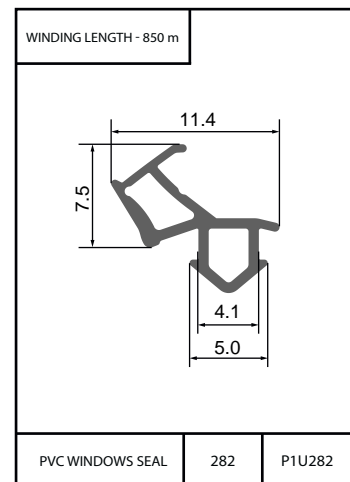
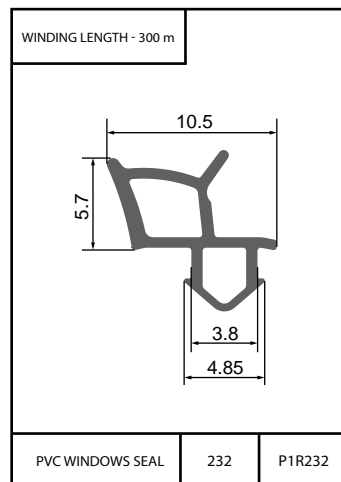
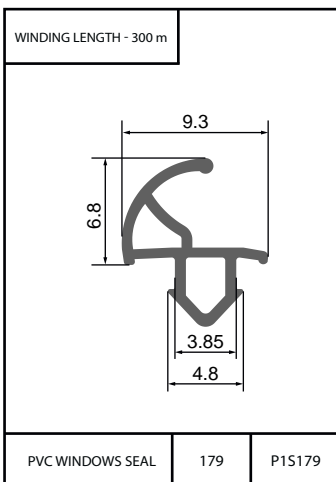
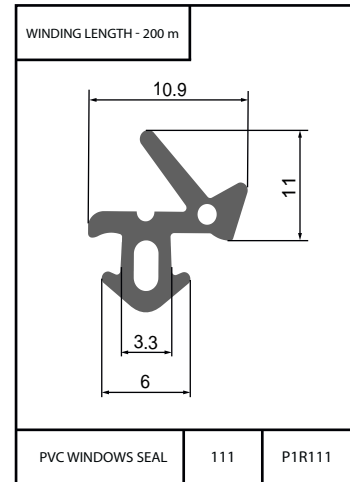
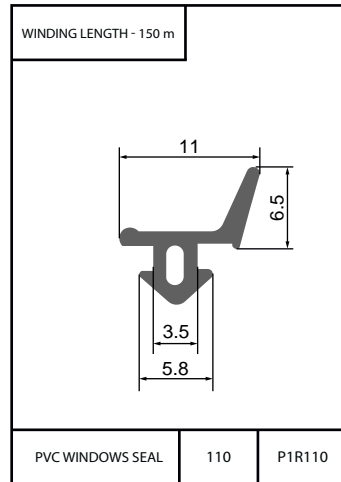
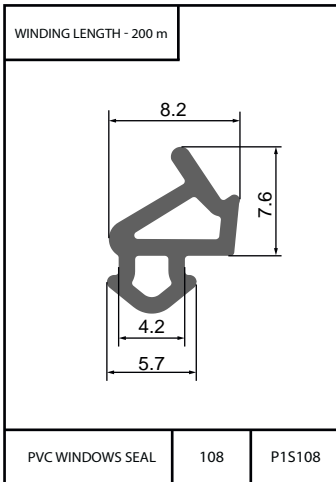
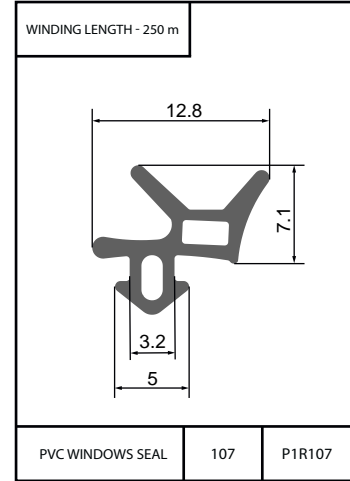
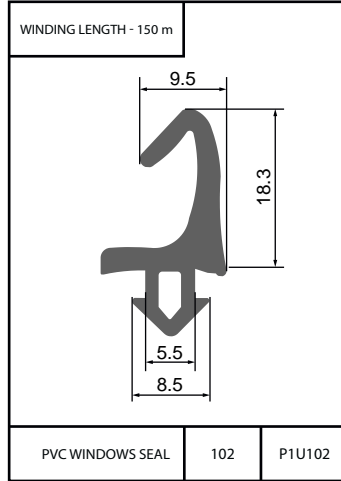
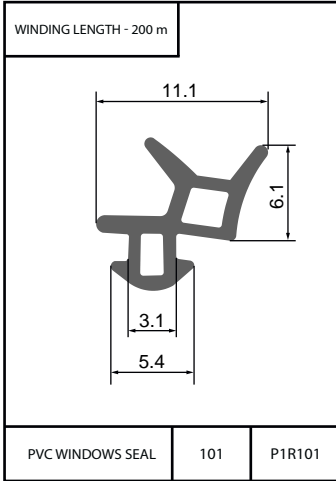
SEALS FOR PVC CONSTRUCTIONS ONE-COMPONENT



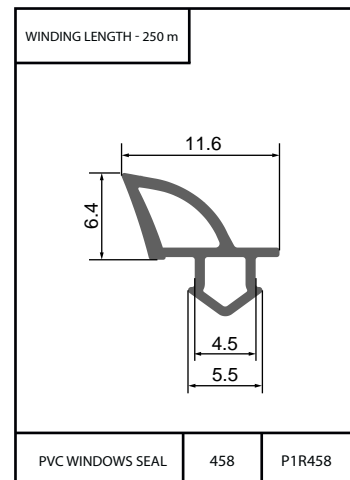
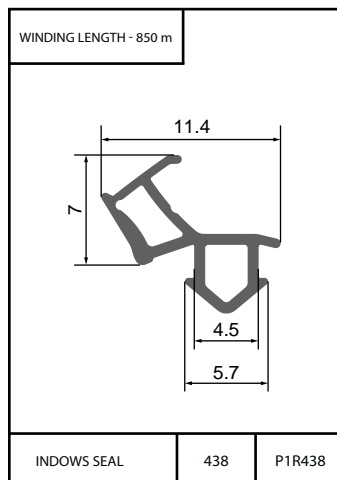
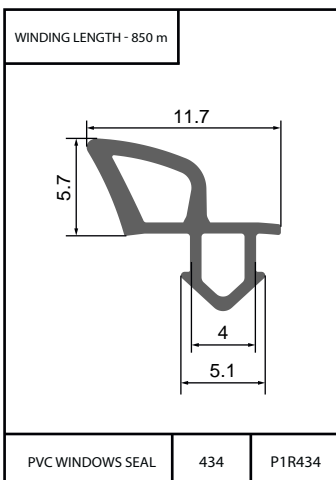
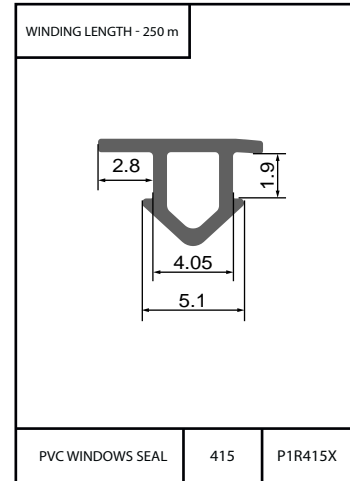
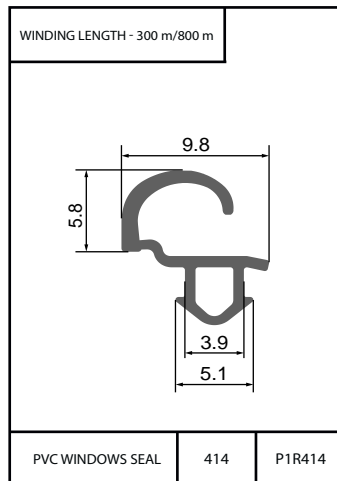
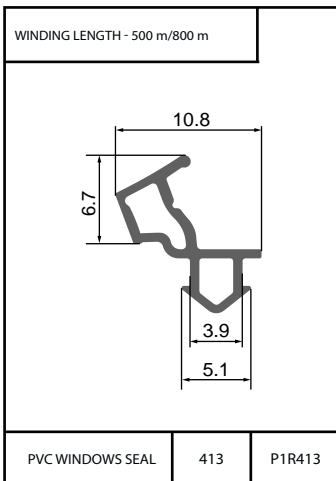
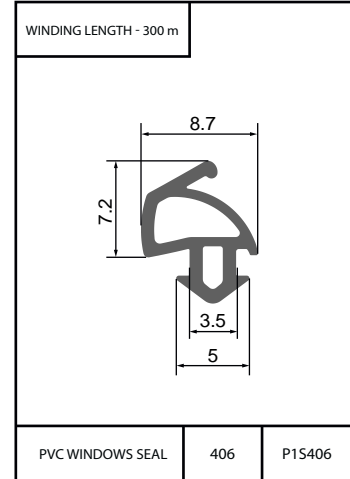
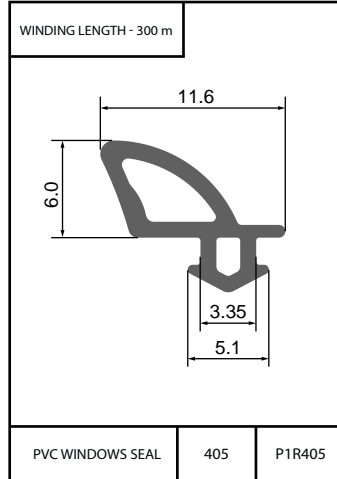
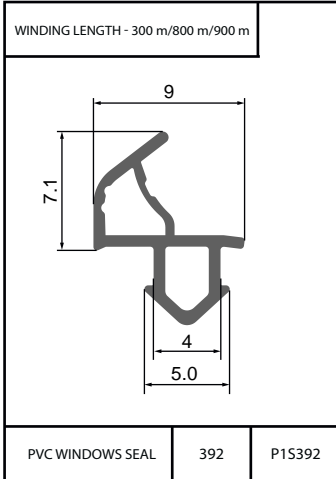
SEALS FOR PVC CONSTRUCTIONS ONE-COMPONENT



SEALS FOR PVC CONSTRUCTIONS ONE-COMPONENT

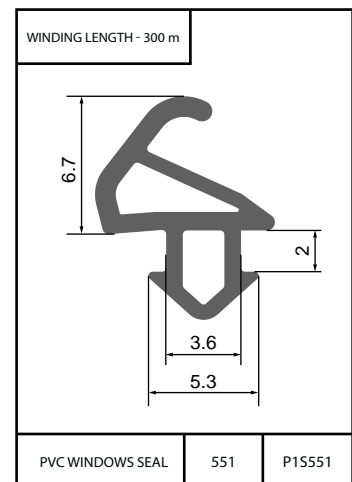
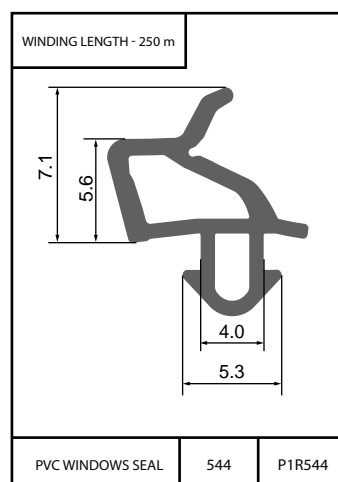
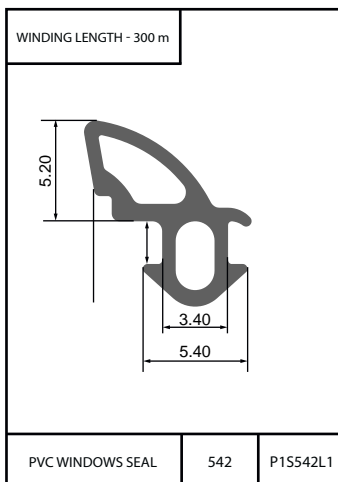
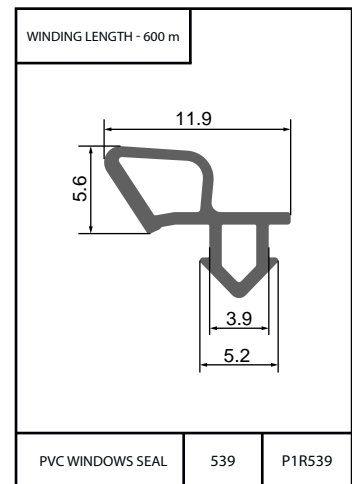
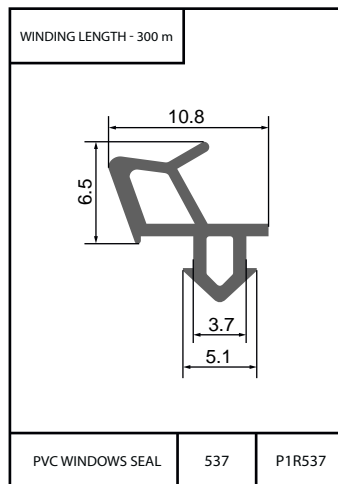
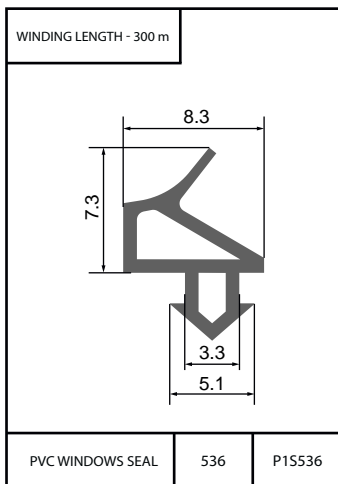
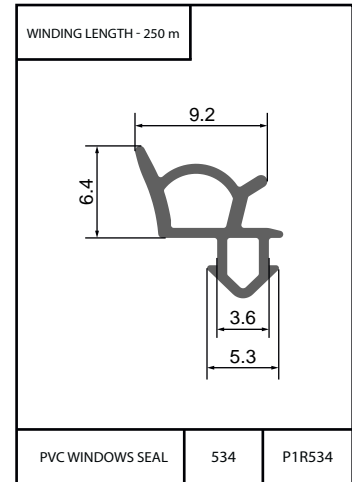
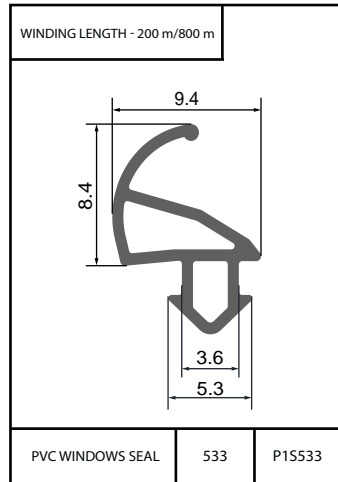
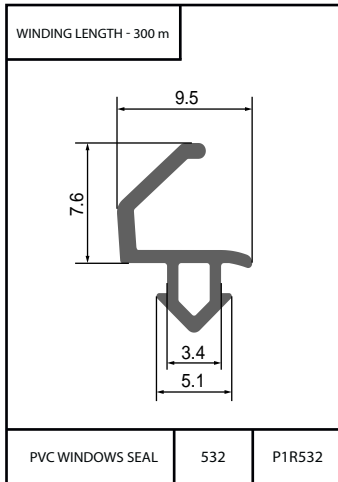


SEALS FOR PVC CONSTRUCTIONS ONE-COMPONENT

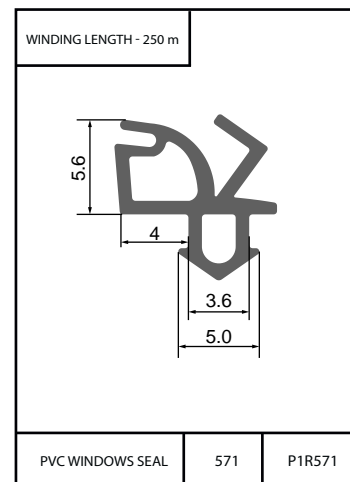
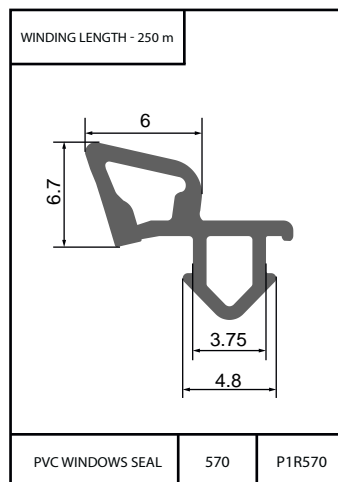
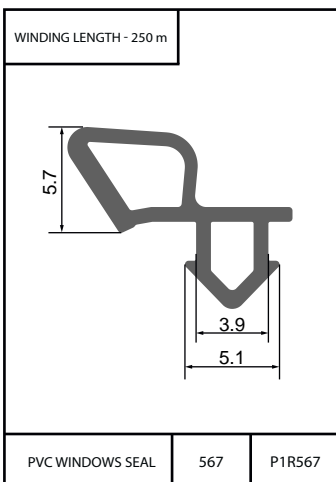
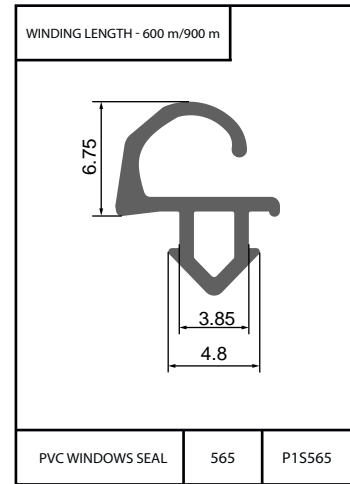
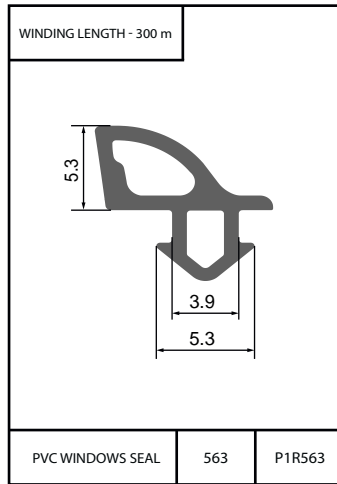
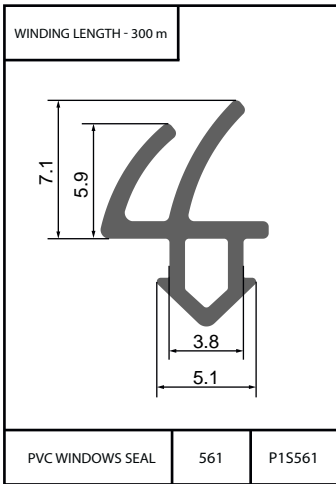
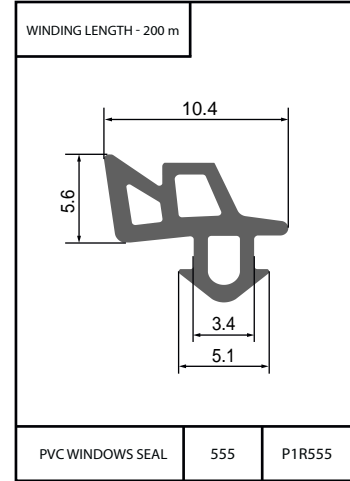
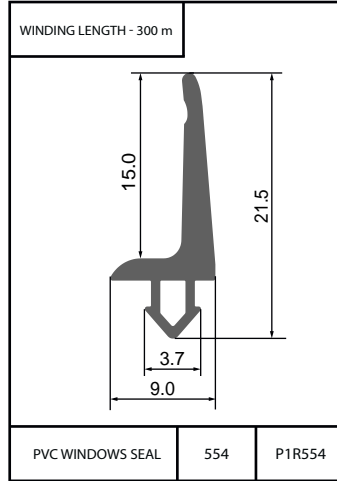
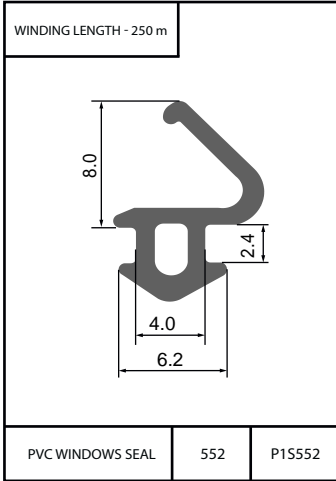




SEALS FOR PVC CONSTRUCTIONS ONE-COMPONENT

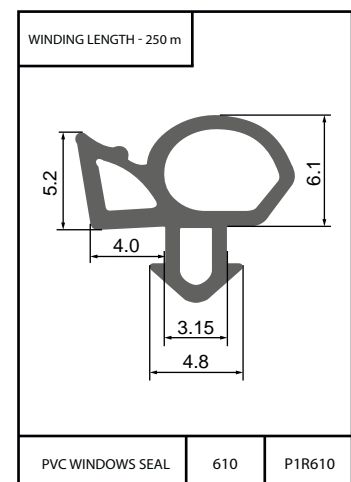
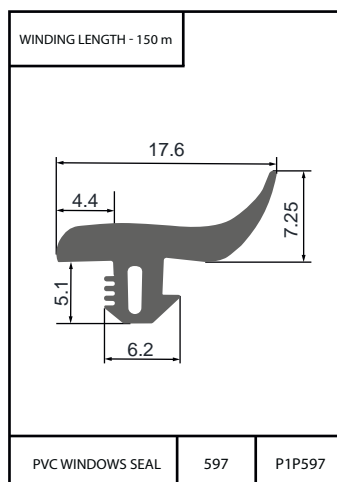
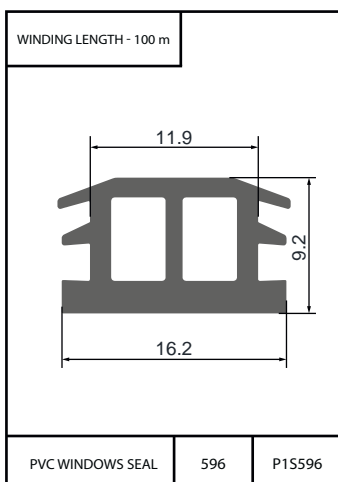
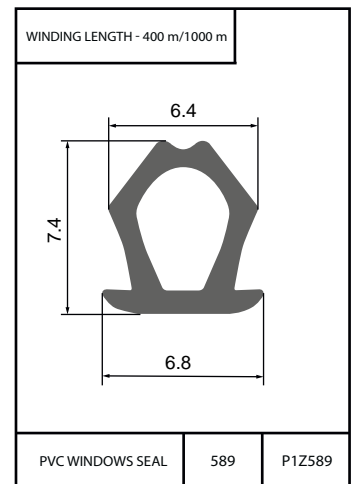
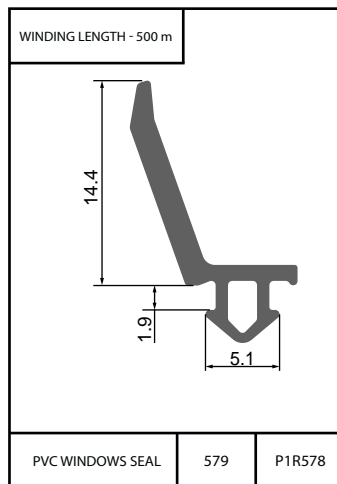
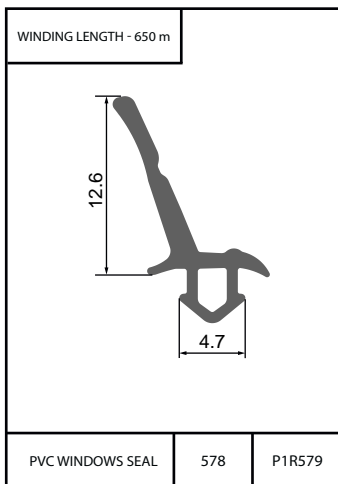
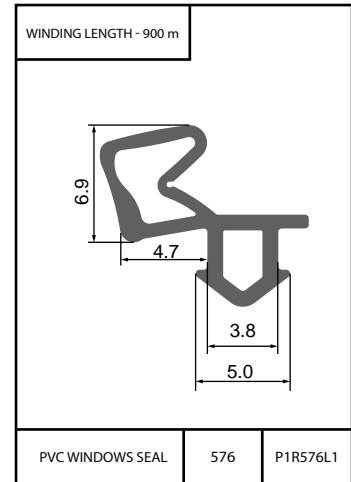
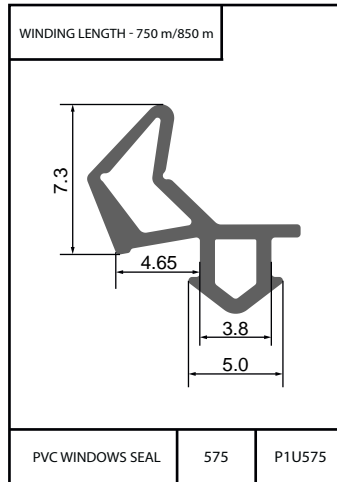
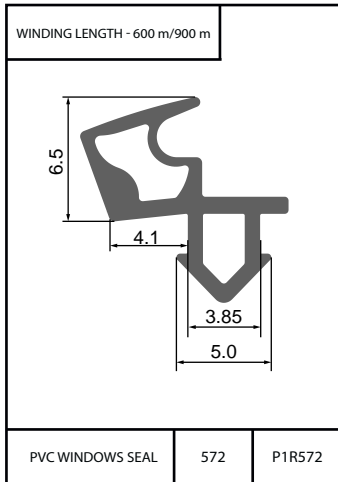


SEALS FOR PVC CONSTRUCTIONS ONE-COMPONENT

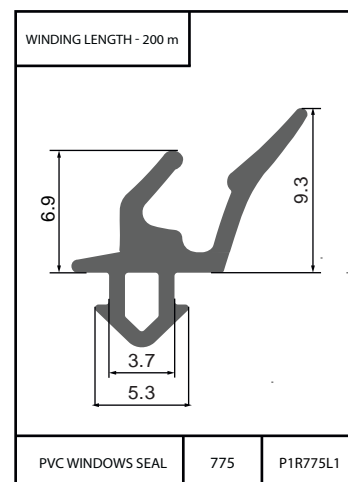
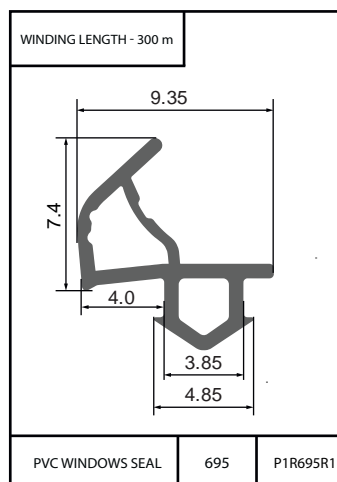
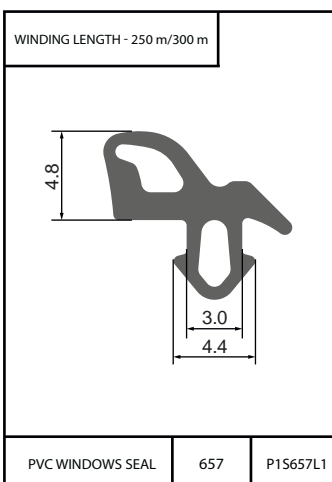
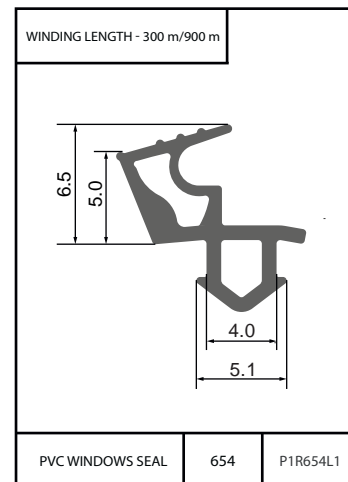
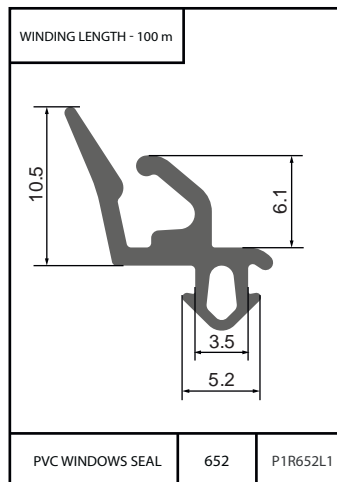
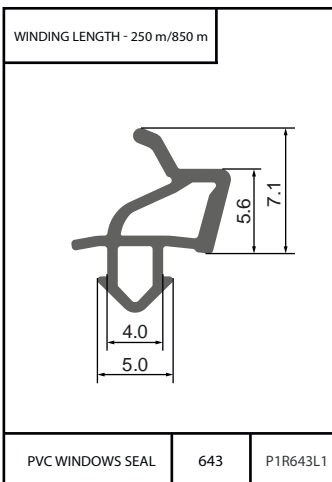
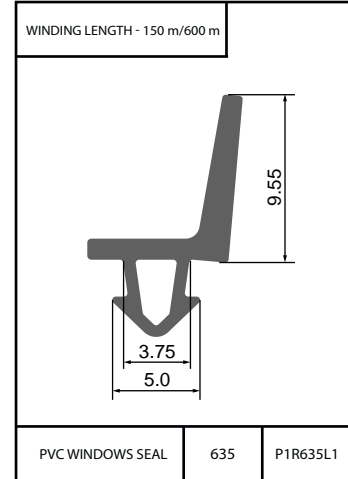
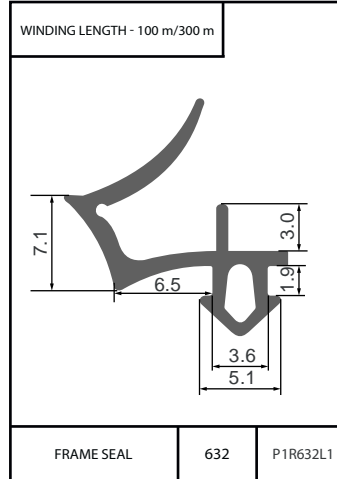
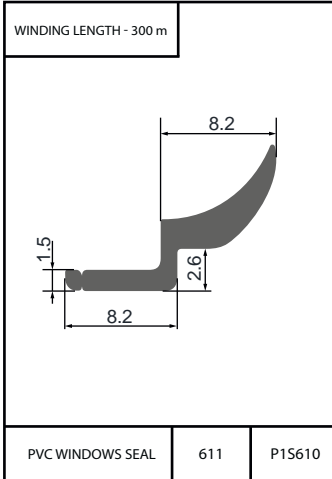




SEALS FOR PVC CONSTRUCTIONS ONE-COMPONENT

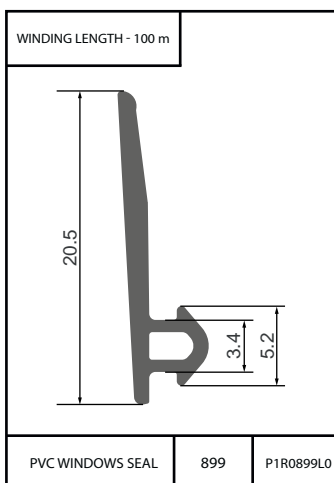
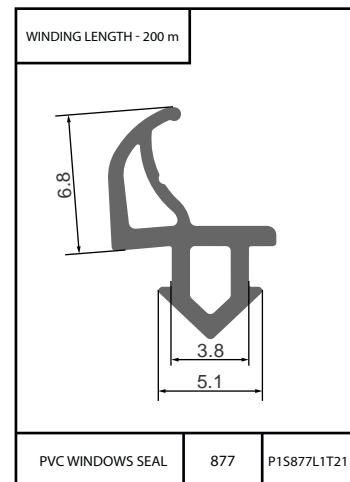
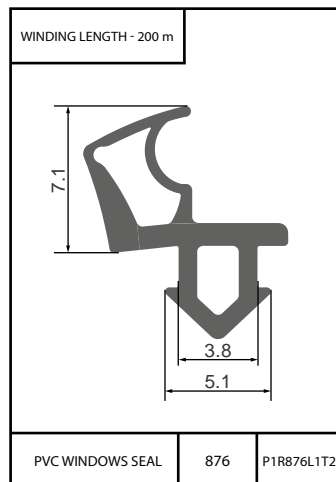
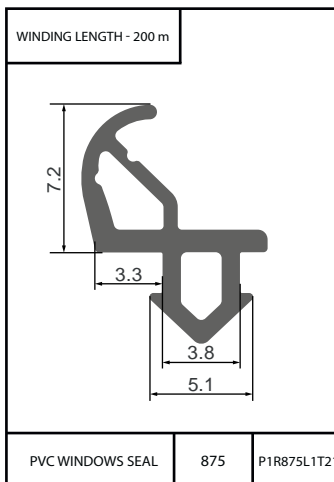
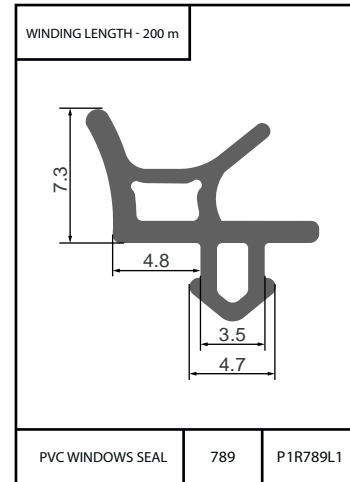
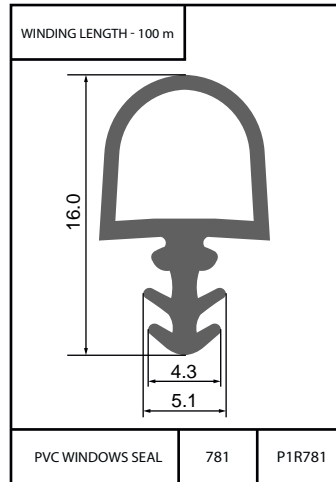
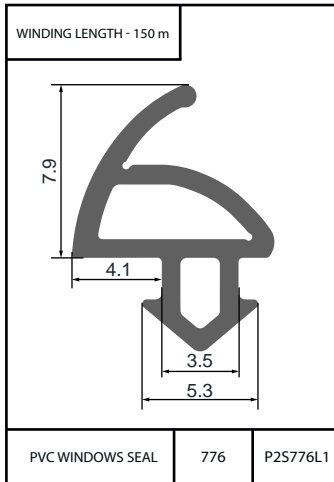


SEALS FOR PVC CONSTRUCTIONS ONE-COMPONENT



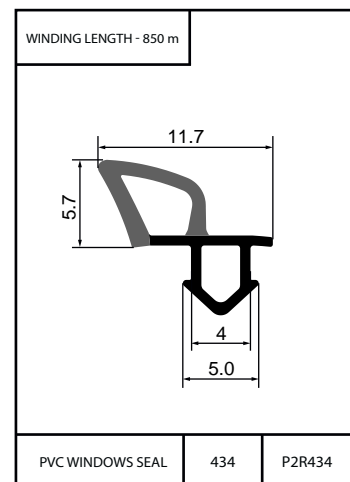
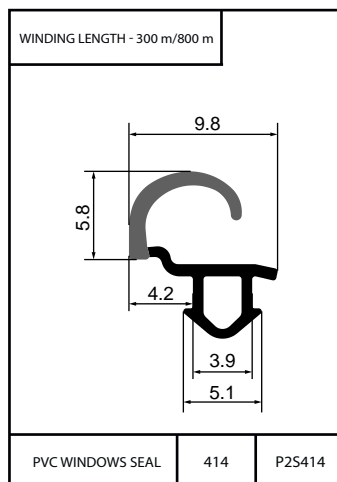
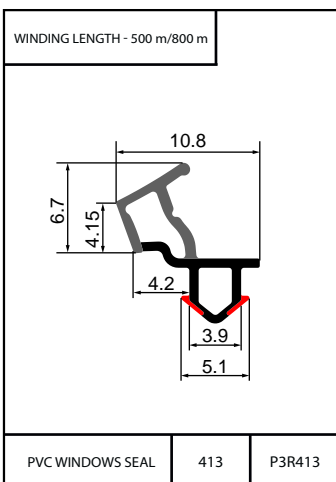
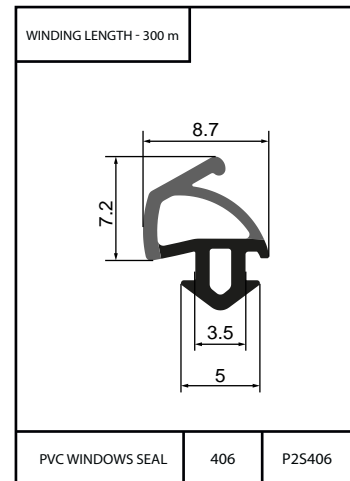
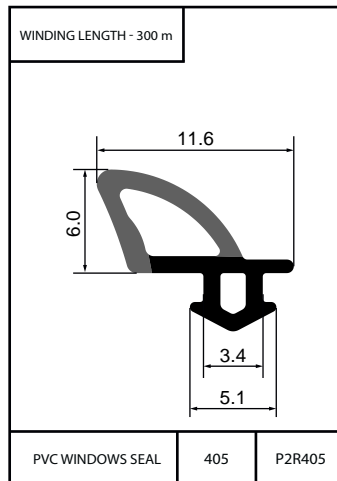
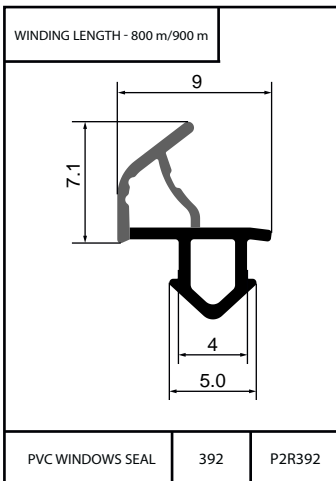
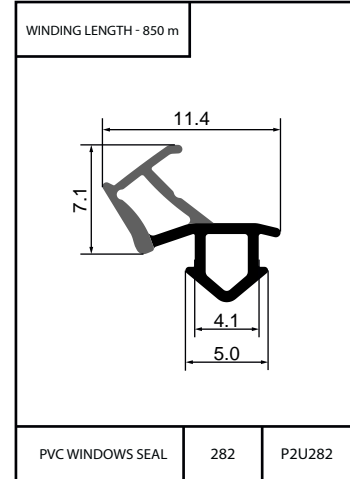
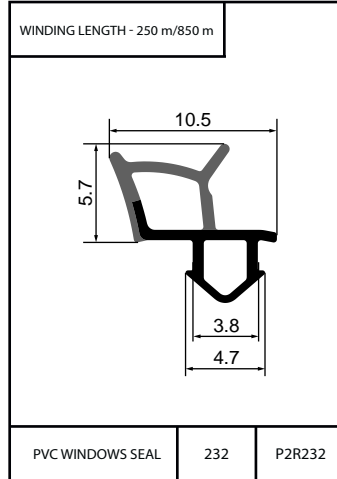
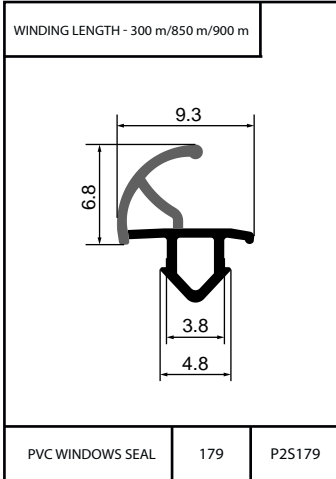


SEALS FOR PVC CONSTRUCTIONS ONE-COMPONENT



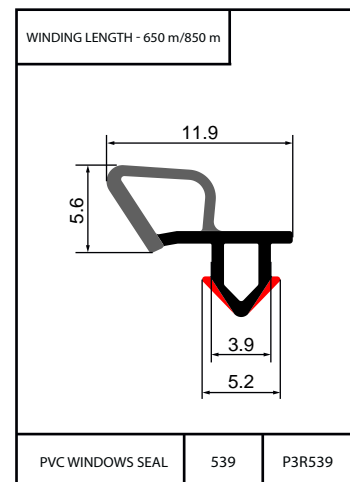
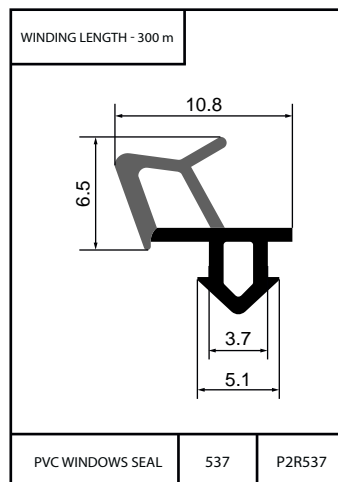
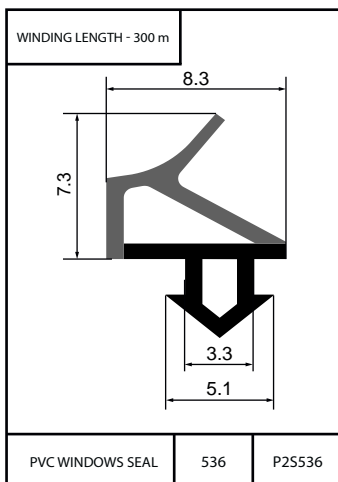
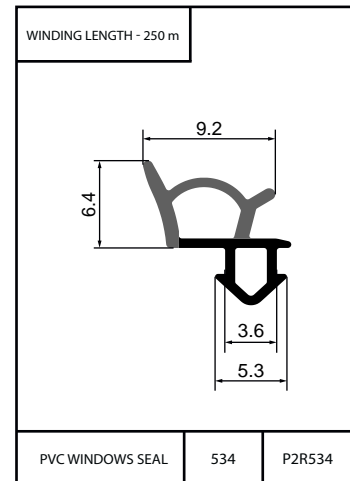
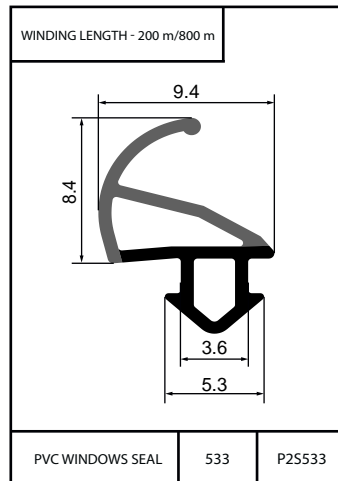
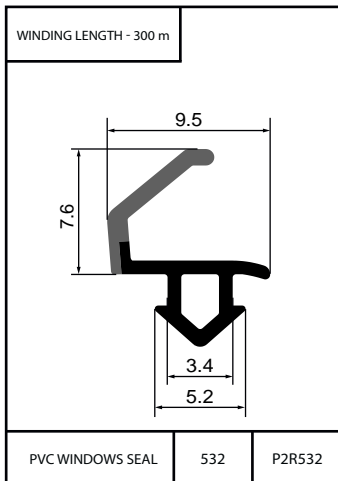
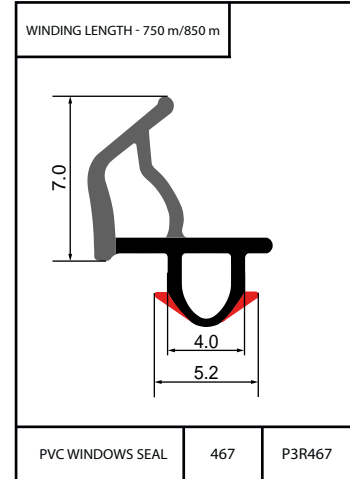
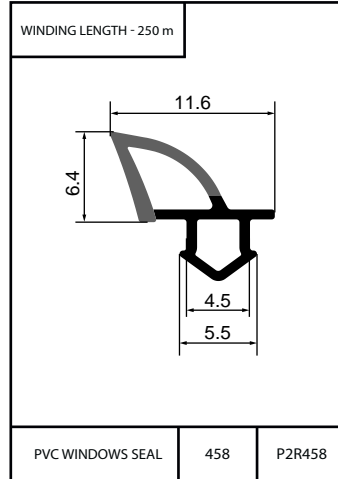
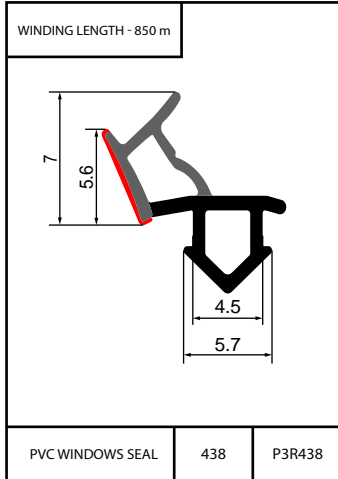


SEALS FOR PVC CONSTRUCTIONS TWO-, THREecomponents

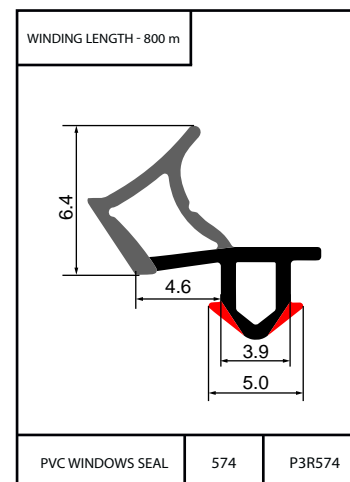
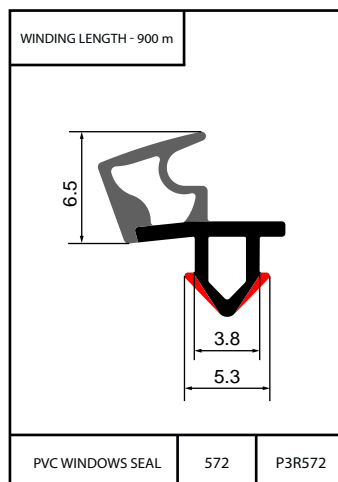
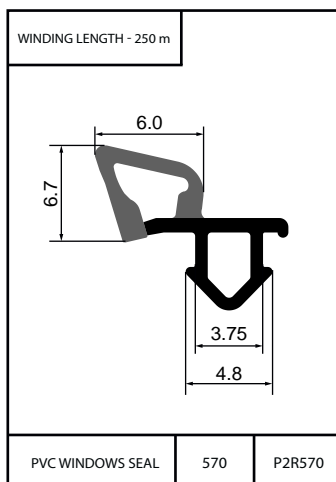
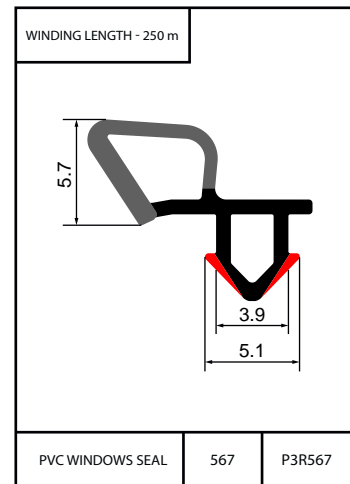
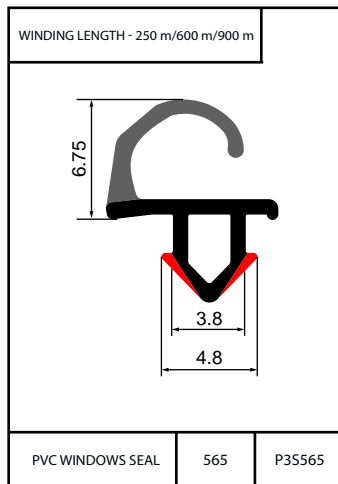
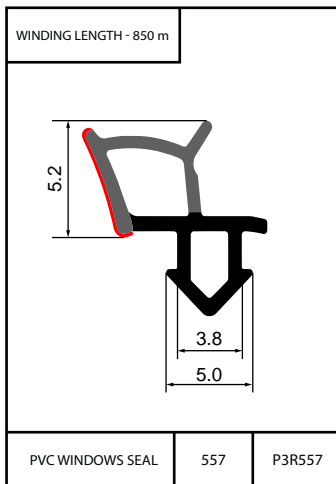
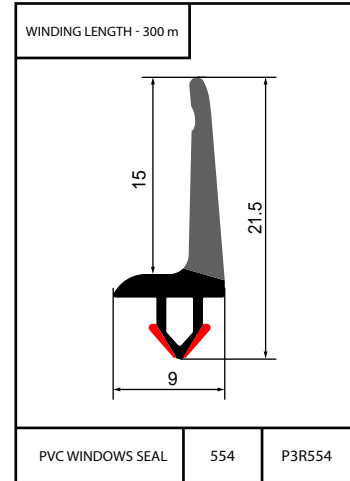
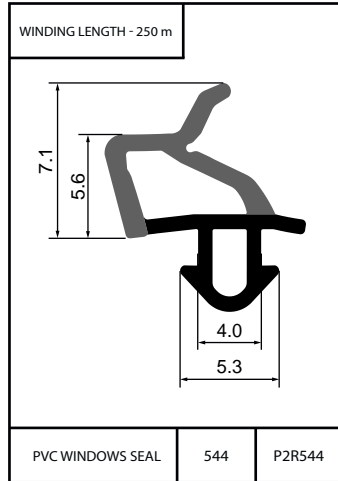
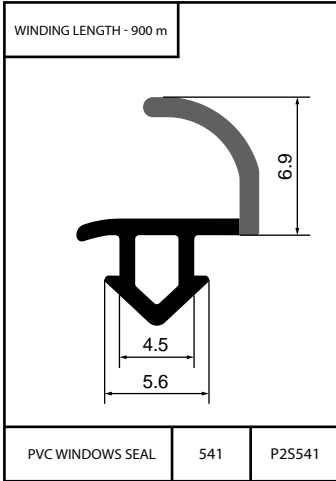




SEALS FOR PVC CONSTRUCTIONS TWO-, THREECOMPONENTS

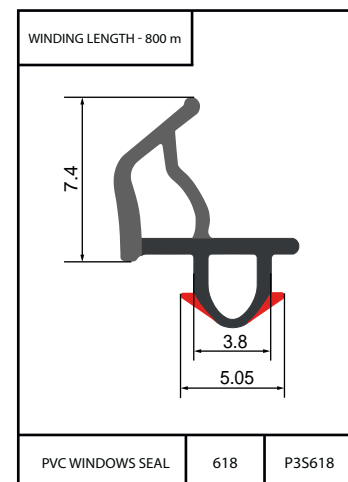
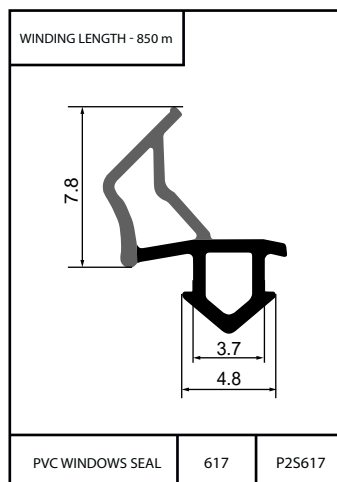
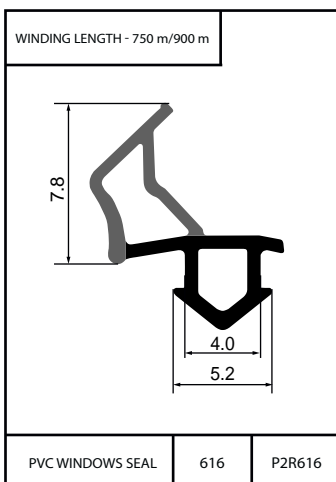
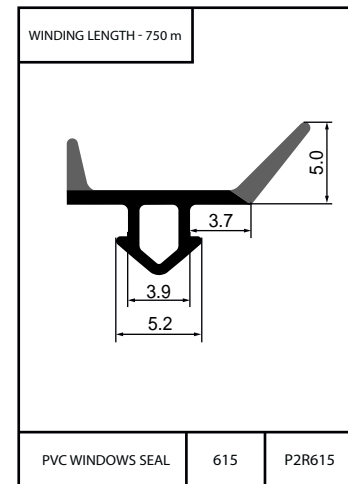
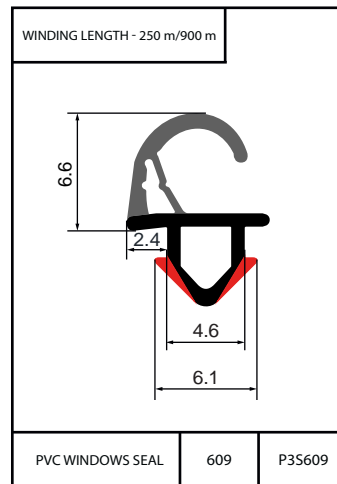
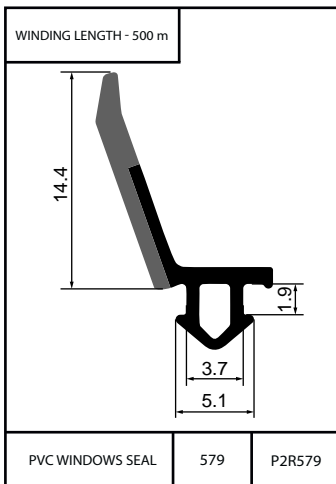
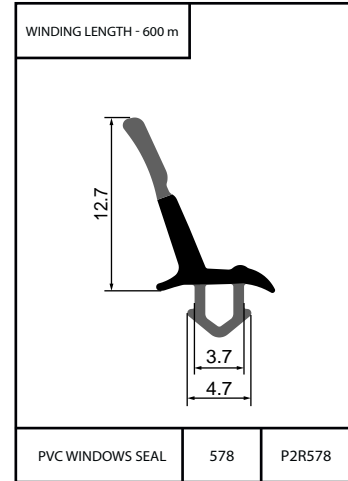
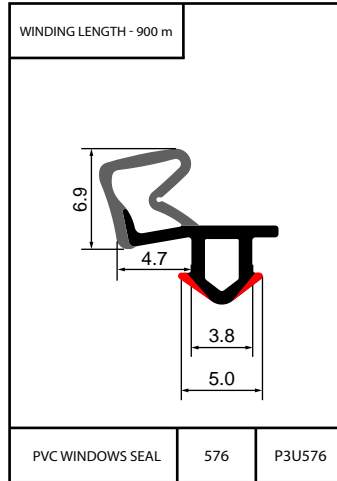
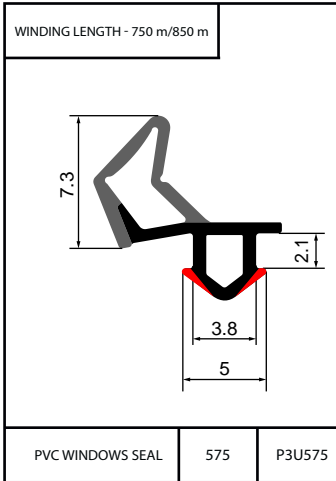


SEALS FOR PVC CONSTRUCTIONS TWO-, THREECOMPONENTS



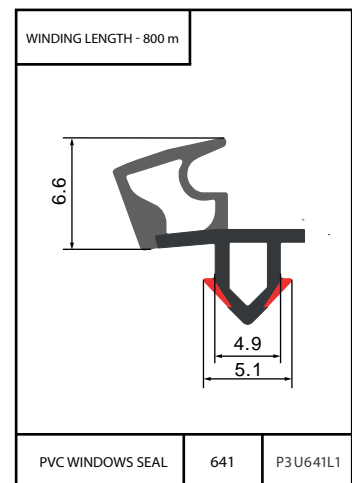
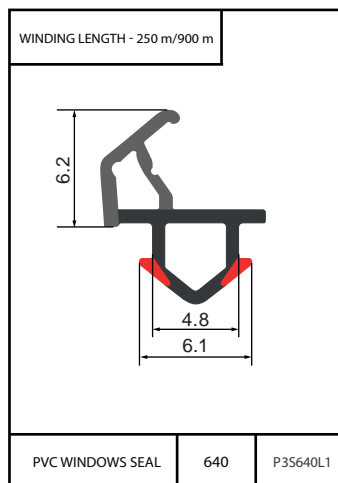
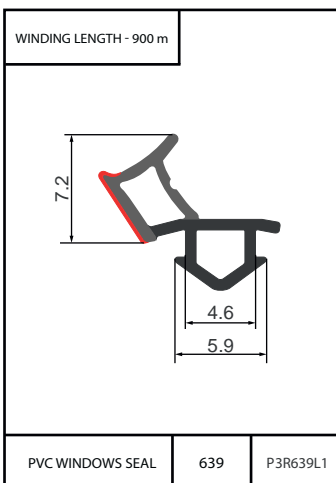
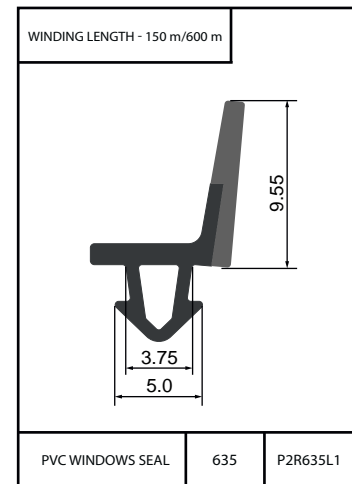
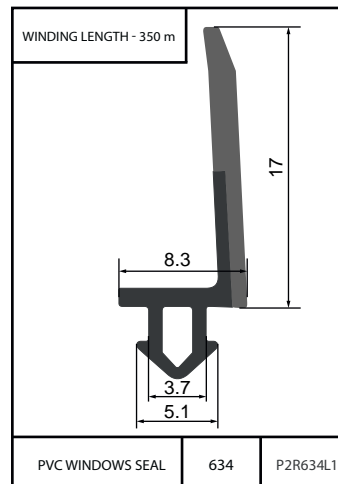
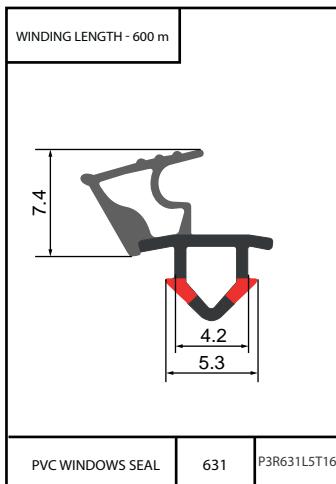
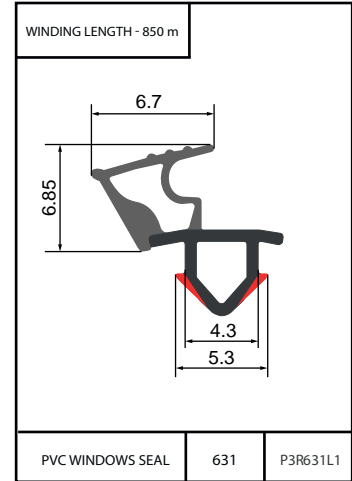
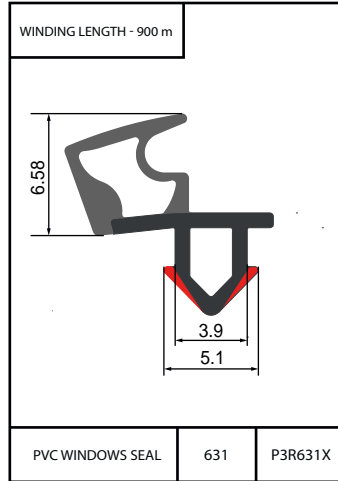
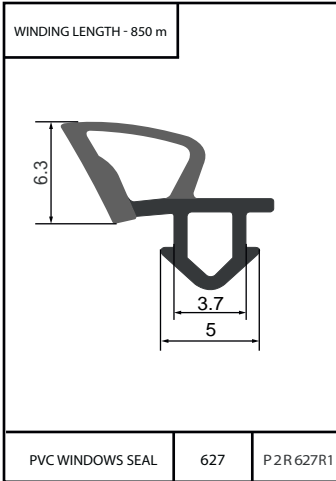


SEALS FOR PVC CONSTRUCTIONS TWO-, THREECOMPONENTS



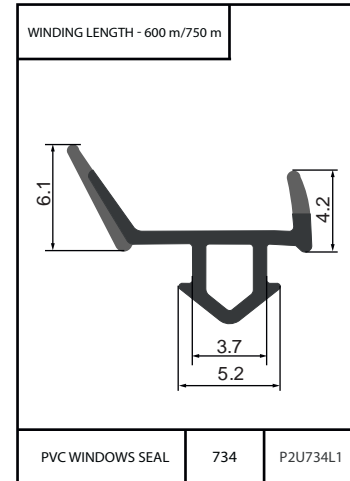
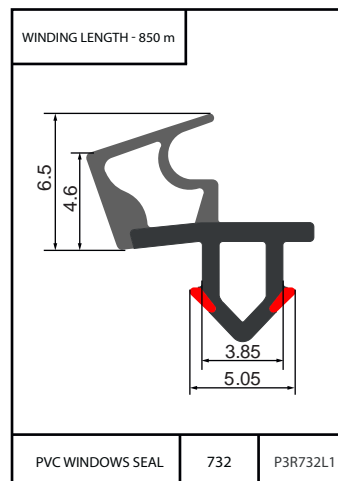
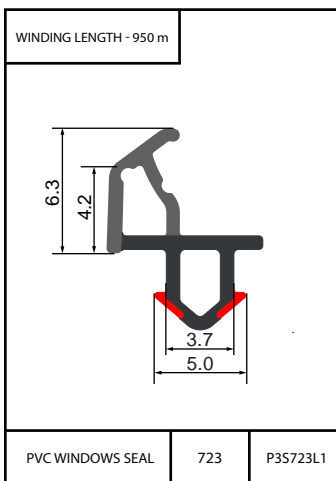
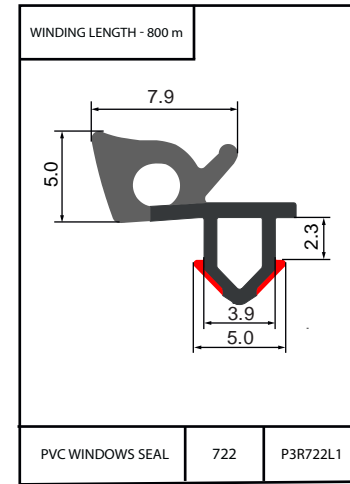
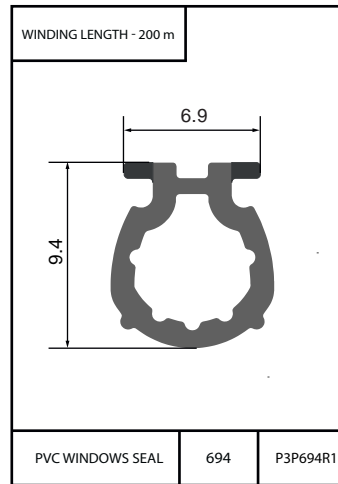
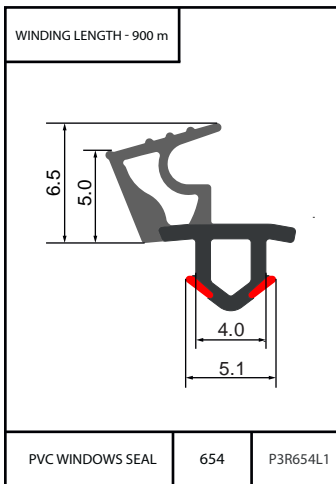
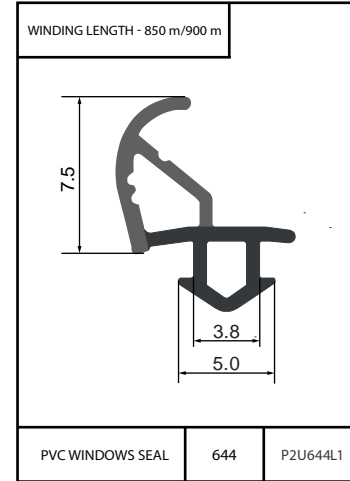
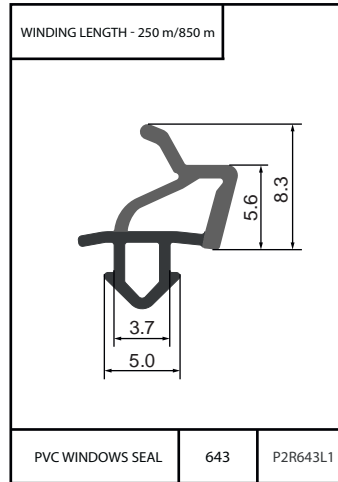
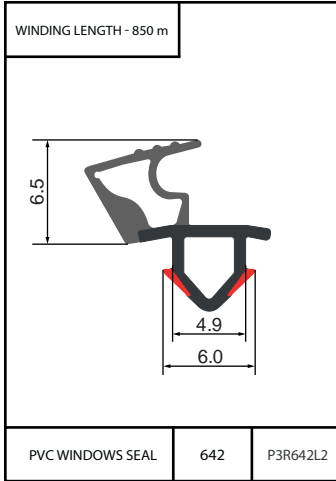


SEALS FOR PVC CONSTRUCTIONS TWO-, THREECOMPONENTS



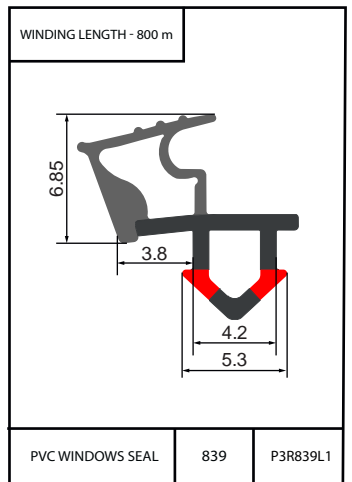
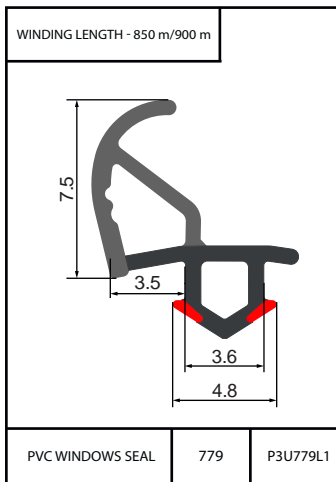
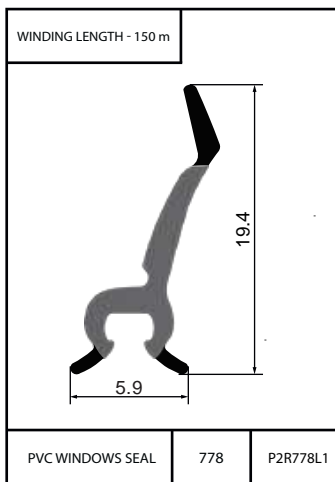
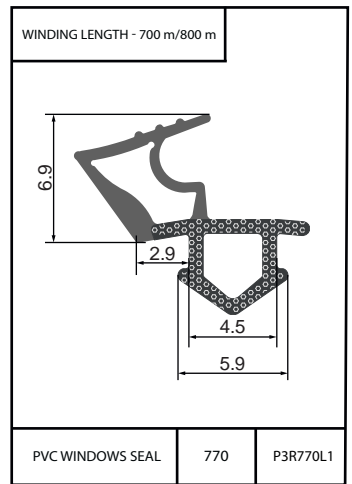
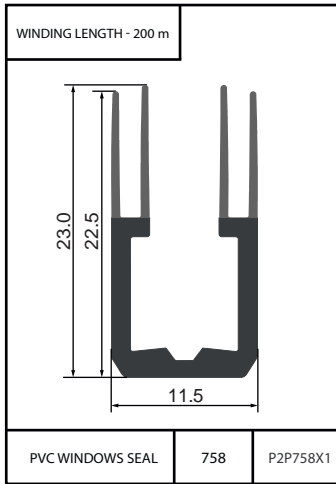
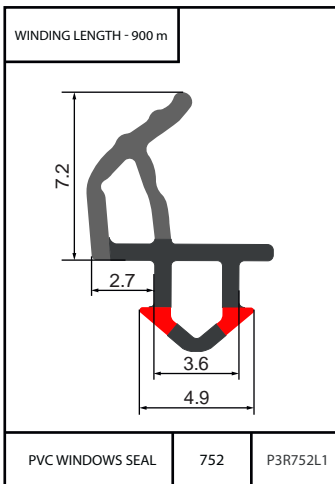
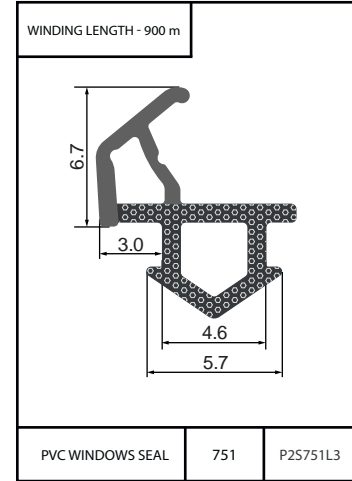
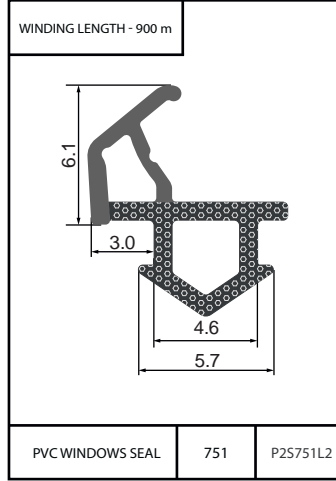
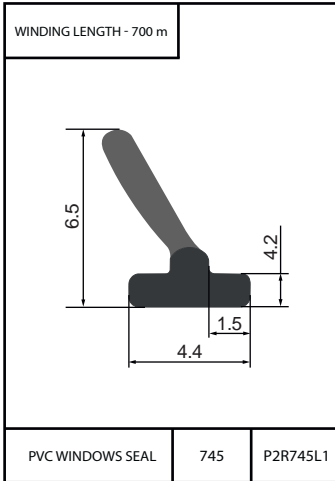


SEALS FOR PVC CONSTRUCTIONS TWO-, THREECOMPONENTS



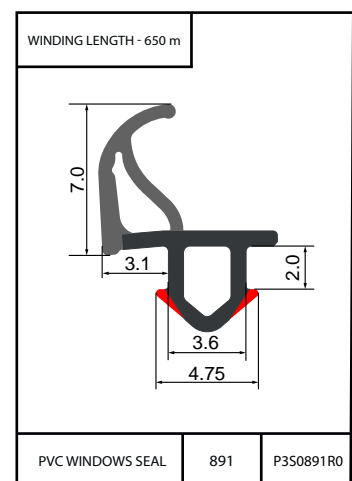
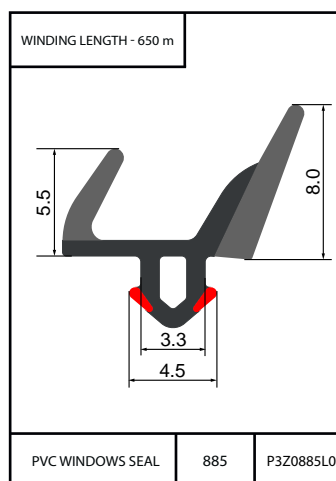
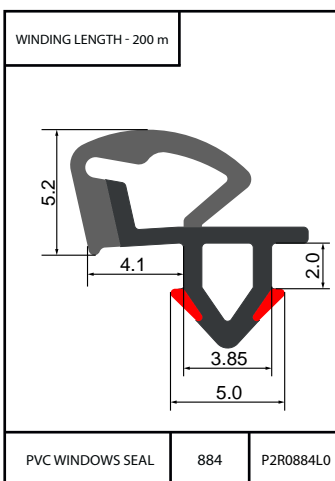
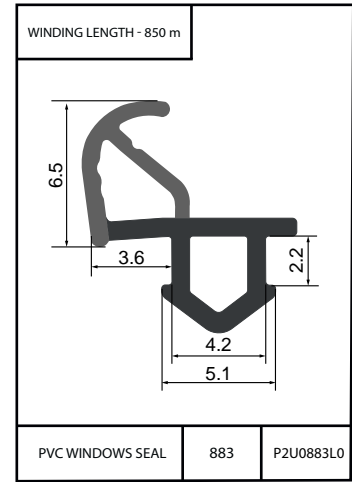
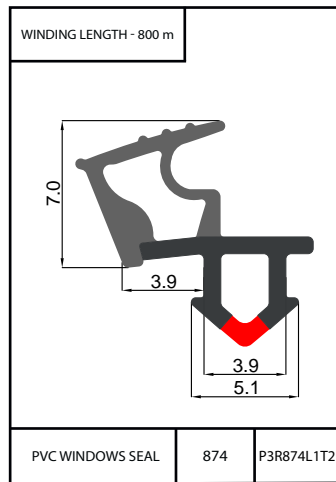
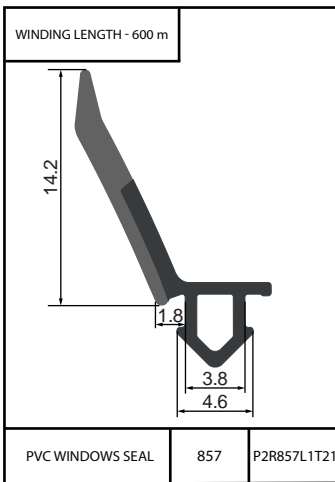
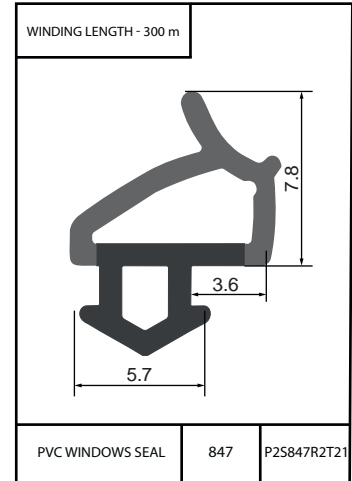
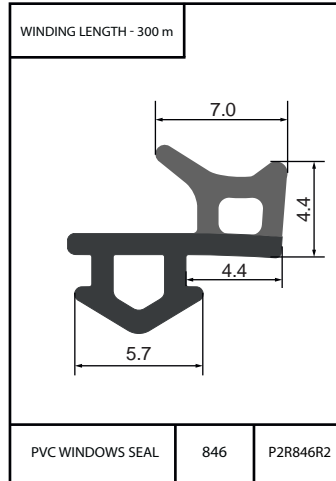
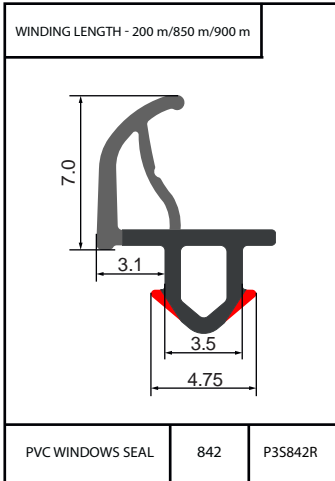


SEALS FOR PVC CONSTRUCTIONS TWO-, THREecomponents

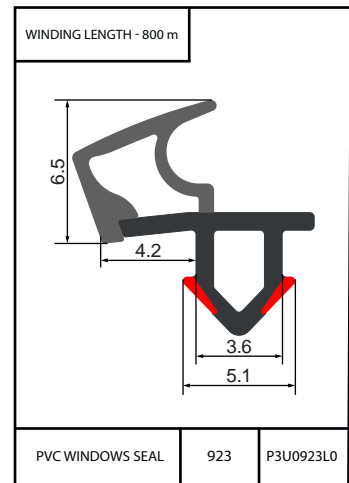
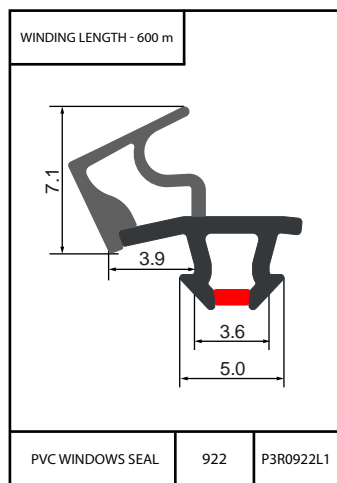
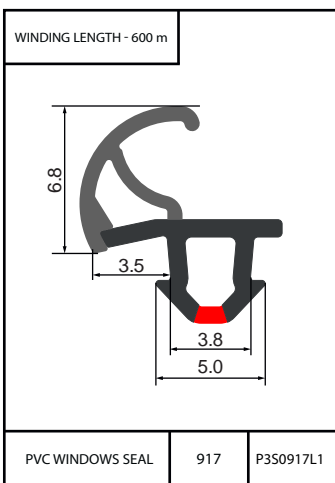
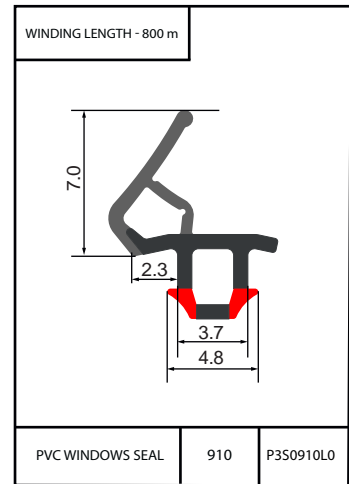
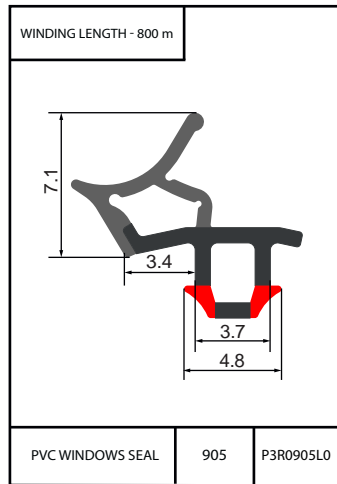
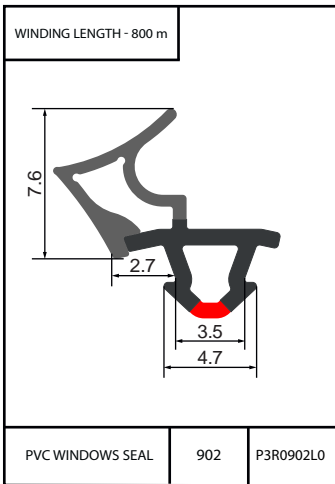
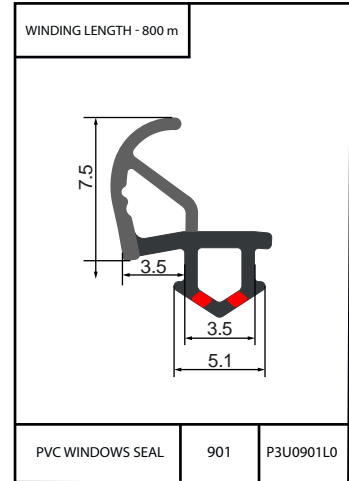
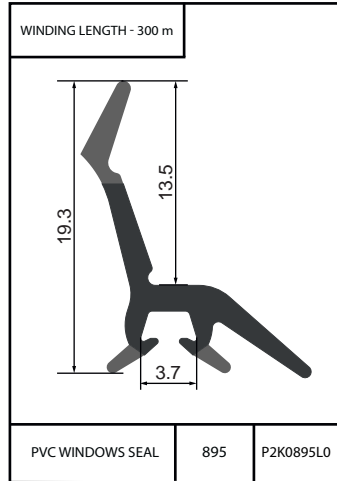
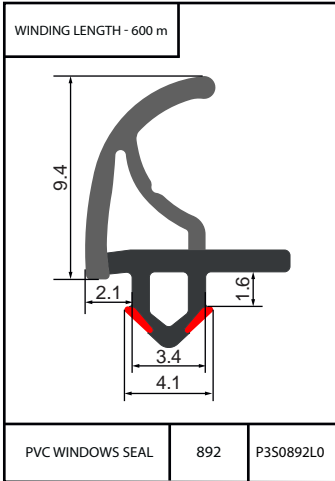




SEALS FOR PVC CONSTRUCTIONS TWO-, THREecomponents



SEALS FOR PVC CONSTRUCTIONS TWO-, THREecomponents





SEALING SOLUTIONS COMPANY

Bohdan Khmelnitsky avenue 139, Dnipro, Ukraine
+38 067 568 47 46

ul. Sielecka 63 (Hala 7), 42-500, Będzin, Poland
+48 518 110 611

www.asterionplast.com



2025 - 2026