



SEALING SOLUTIONS COMPANY



SEALS CATALOG 2025 - 2026

FOR DOORS

FOR ALUMINUM CONSTRUCTIONS

FOR FURNITURE CONSTRUCTIONS

FOR PVC CONSTRUCTIONS

FOR STRETCH CEILINGS

FOR SECTIONAL GARAGE DOORS

**OUR PRODUCTION PLANTS
UKRAINE | POLAND**

CONTENTS



ABOUT THE COMPANY

01

SEALS FOR DOORS

02

**SEALS FOR
ALUMINUM STRUCTURES**

03

**SEALS FOR
FURNITURE STRUCTURES**

04

**SEALS FOR
PVC CONSTRUCTIONS
ONE-COMPONENT**

05

**SEALS FOR
PVC CONSTRUCTIONS
TWO-COMPONENT
THREE-COMPONENT**

06

**SEALS
UNIVERSAL**

07

**SEALS
FOR STRETCH CEILINGS**

08

**SEALS
FOR SECTIONAL GARAGE DOORS**

09



ABOUT THE COMPANY

ASTERION company produces a wide range of one-, two- and three-component seals for: PVC structures, aluminum structures, metal and wooden doors, furniture production, etc.

The quality of ASTERION products is the main priority of our company. In this matter, paramount importance has raw materials and equipment used in production. We produce our own compound, guaranteeing compliance with all partner requirements for the finished product. Our production is completed with the equipment world brands. Therefore, we provide seals of consistently high quality, continuously monitoring technical characteristics of the product.

In the portfolio of offers ASTERION is available as a typical range of seals, numbering more than 400 options, and services for the design and creation of the design of the required seal with the subsequent its manufacture. At the same time, our company highly values the time of its partners, providing maximum comfortable service.

ASTERION production is a well-established mechanism, consisting of five different sections

01

Raw material development department

Development of the required composition of the material on request and according to customer requirements

02

Production of raw materials

Production of raw materials (semi-finished products) according to the developed recipe

03

Quality control laboratory

Monitors each lot for compliance with the declared parameters:

- * residual deformation
- * relative elongation at break
- * tensile strength
- * resistance to ultraviolet light
- * Shore A and Shore D hardness
- * density
- * wear resistance (abrasion resistance)
- * humidity

04

Technical equipment department

Design and manufacture of technological equipment in accordance with the specified parameters of the customer

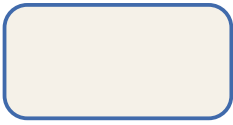
05

Seal extrusion department

* production of a sealant with constant control of the geometrical sizes and functional indicators of a sealant

- * packing of sealants in cardboard coils with winding length according to the order or segments of necessary length

COLORS BY RAL



Pure White
RAL 9010



Light Gray
RAL 7035



Window Gray
RAL 7040



Deep Black
RAL 9005



Clay Brown
RAL 8003



Sepia Brown
RAL 8014



Brown Beige
RAL 1011



Telegrey 1
RAL 7045



Signal Black
RAL 9004



Biege Brown
RAL 8024



Biege
RAL 1001



Umbra Grey
RAL 7022



Light Ivory
RAL 1015



Graphite Grey
RAL 7024



Ivory
RAL 1014



Papyrus White
RAL 9018



Telegrey 4
RAL 7047



Terra Brown
RAL 8028



Sand Yellow
RAL 1002

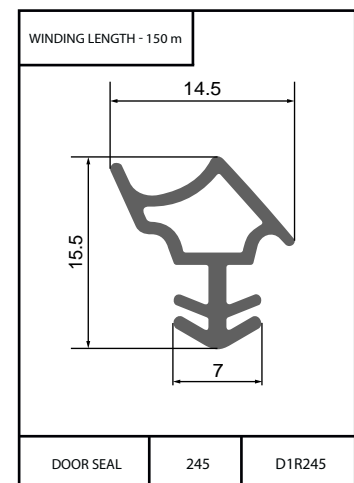
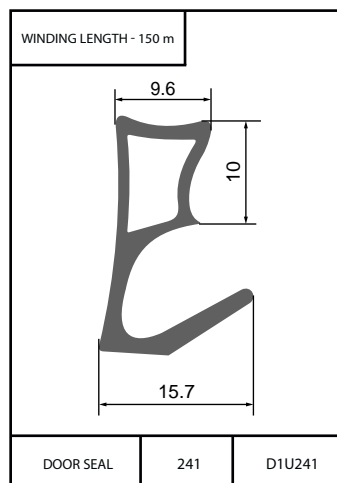
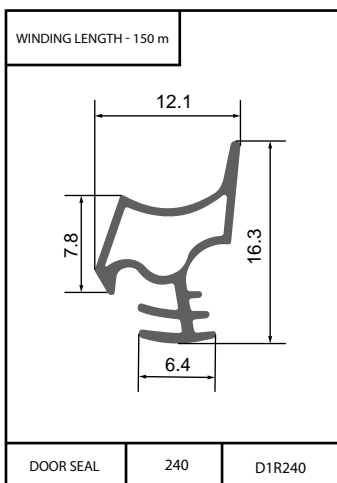
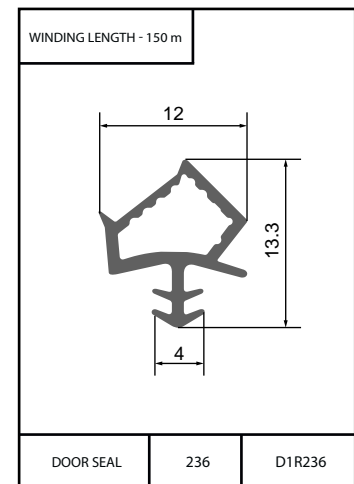
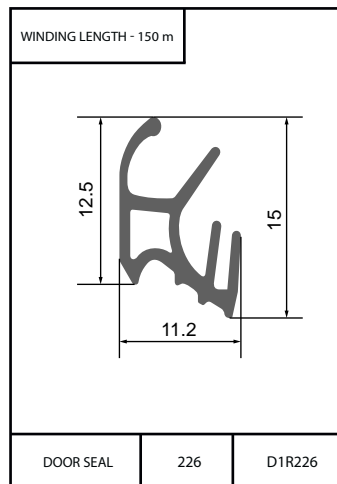
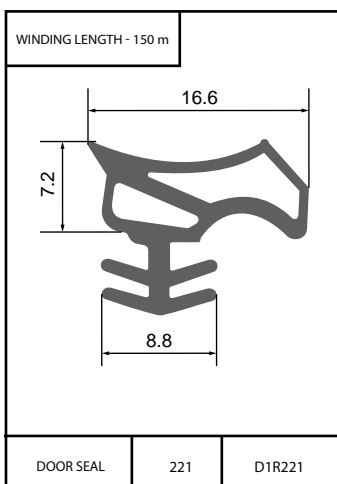
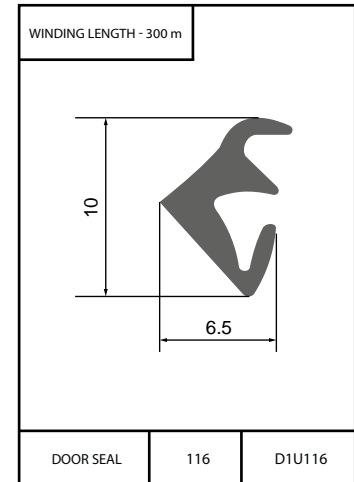
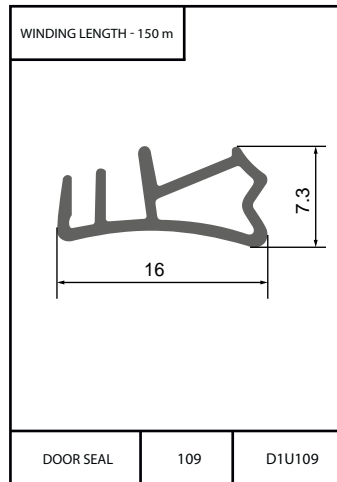
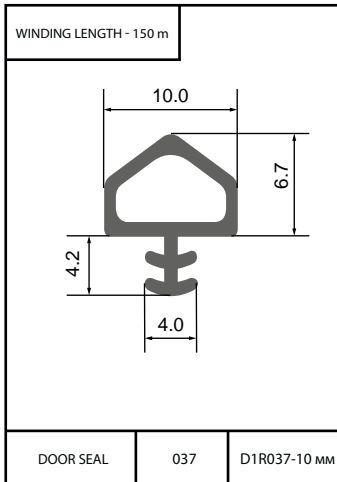


Chocolate Brown
RAL 8017

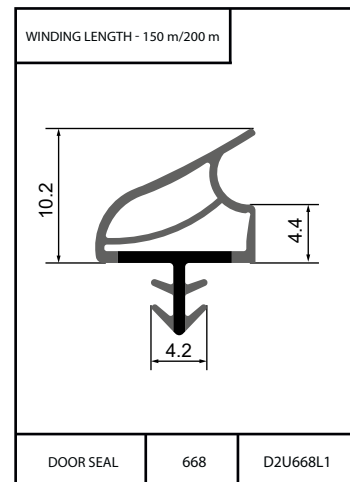
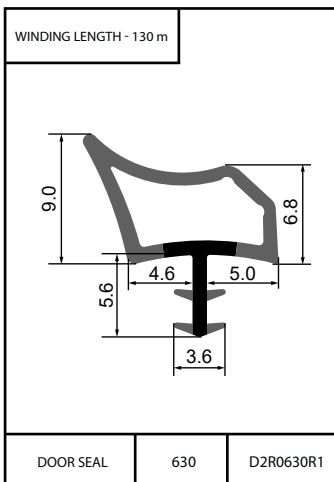
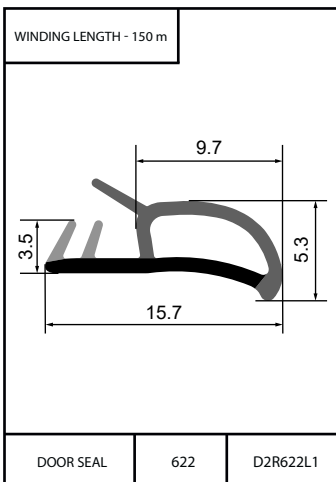
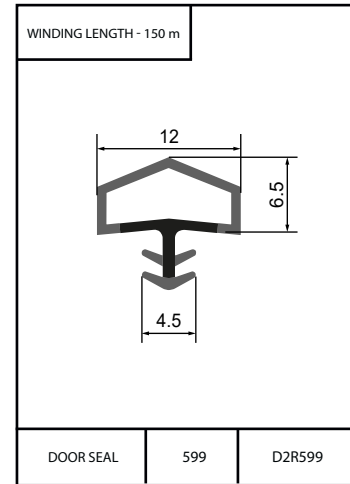
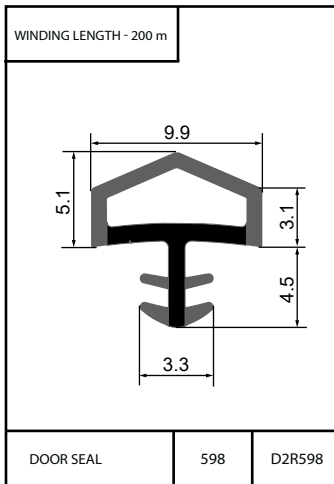
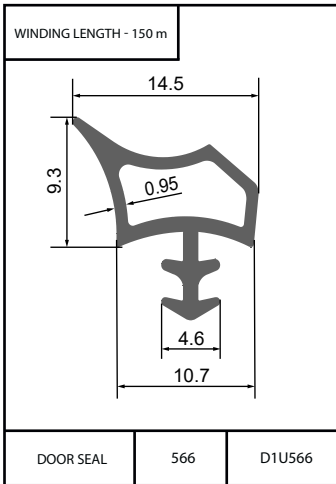
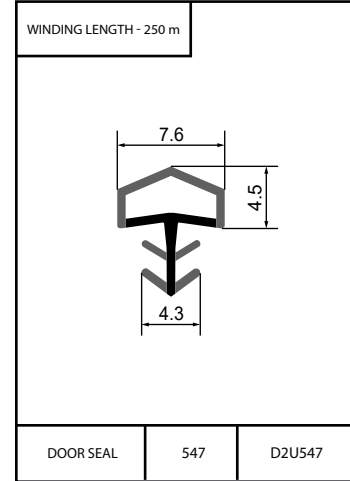
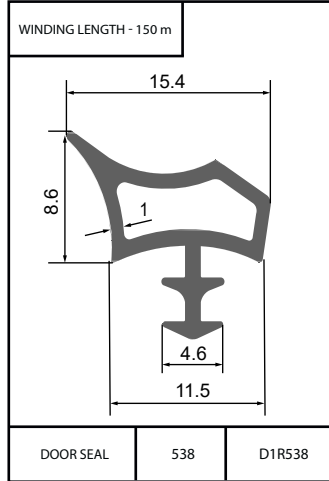
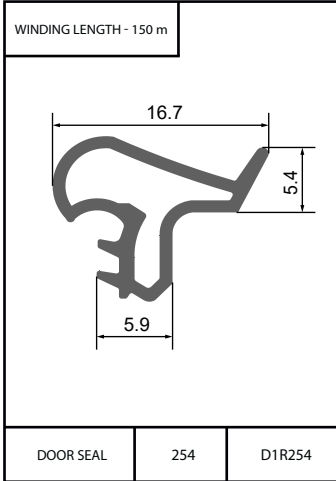


Colorless
Transparent

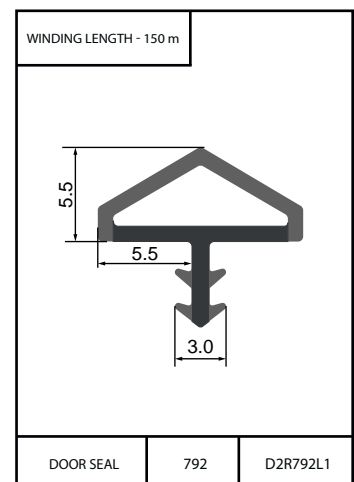
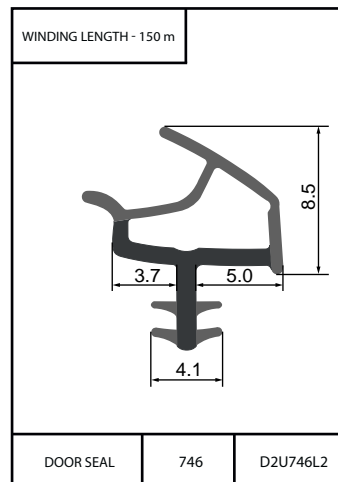
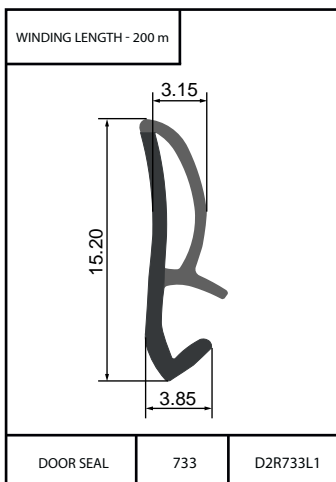
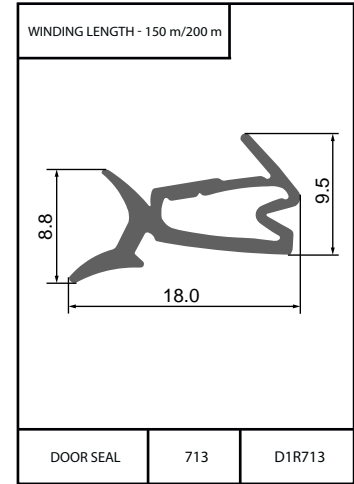
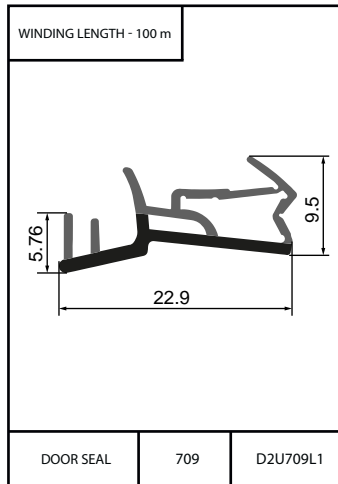
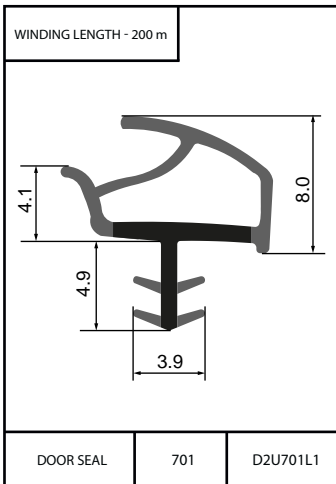
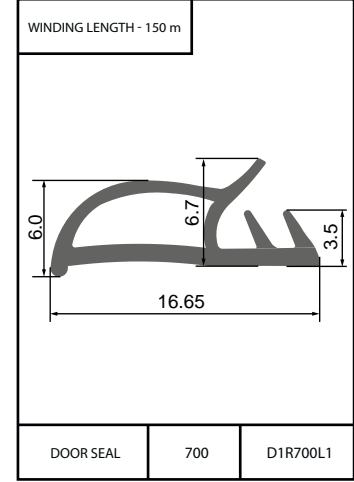
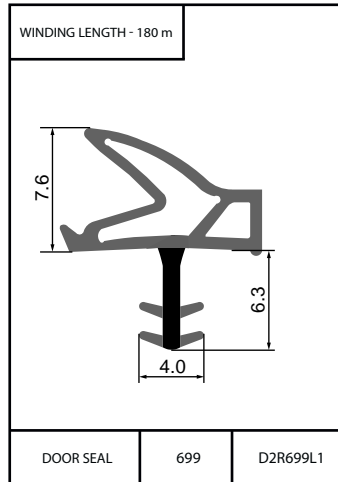
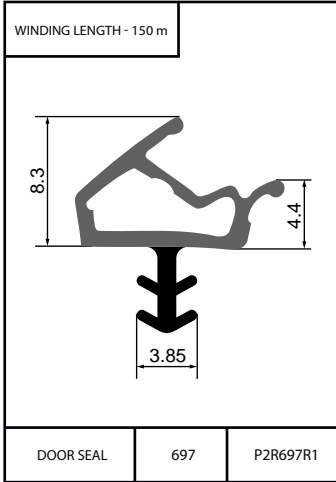
SEALS FOR DOORS



SEALS FOR DOORS

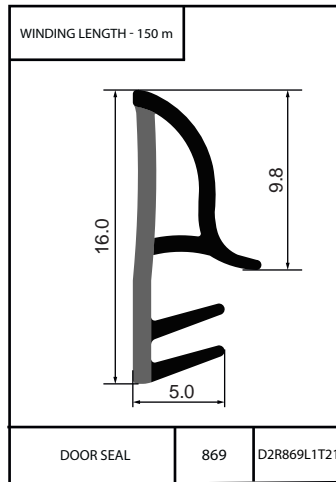
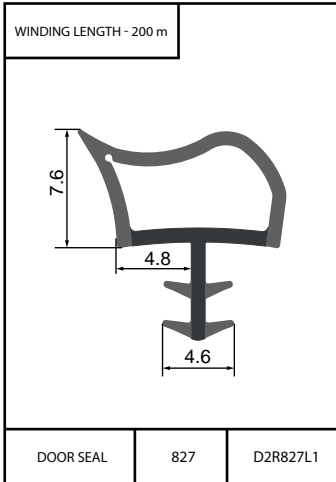


SEALS FOR DOORS

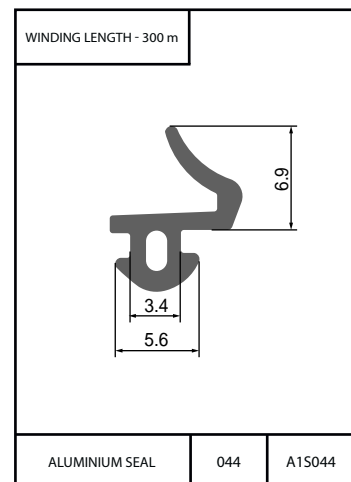
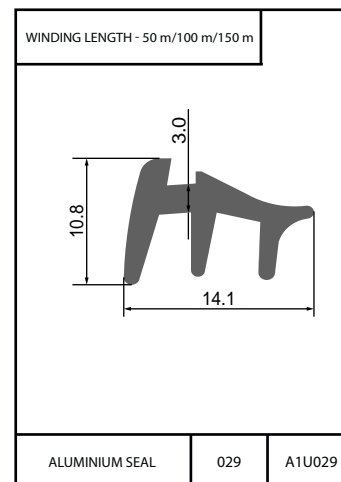
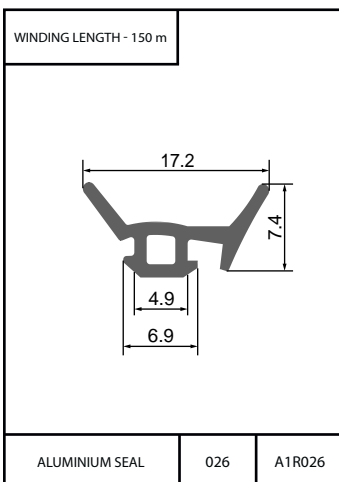
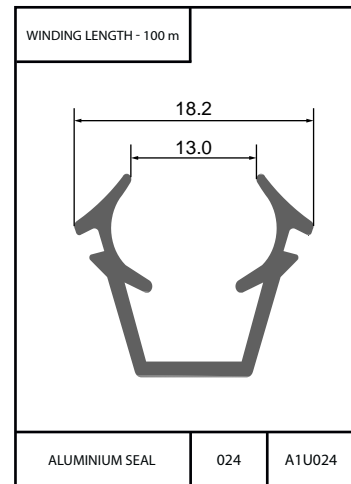
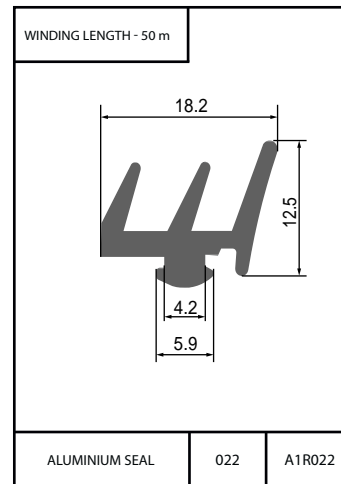
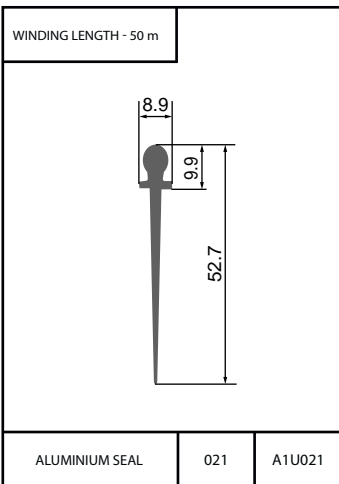
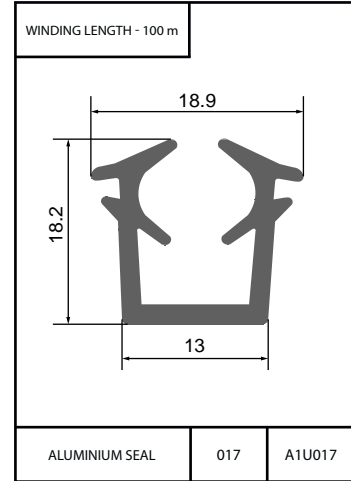
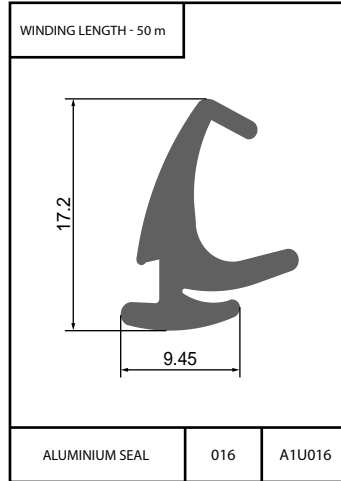
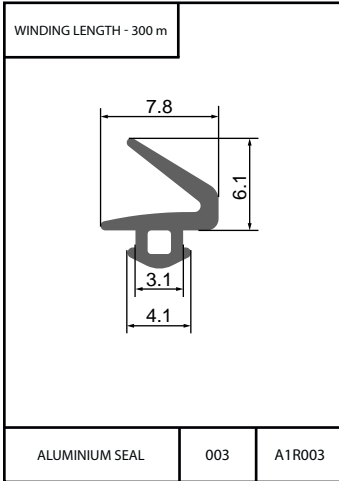




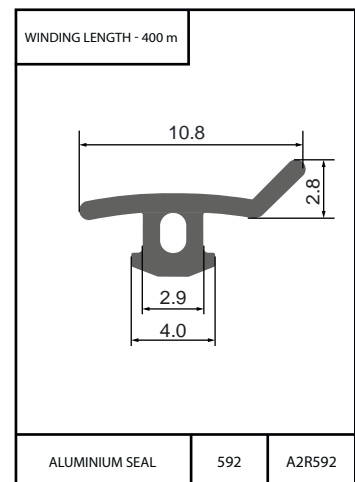
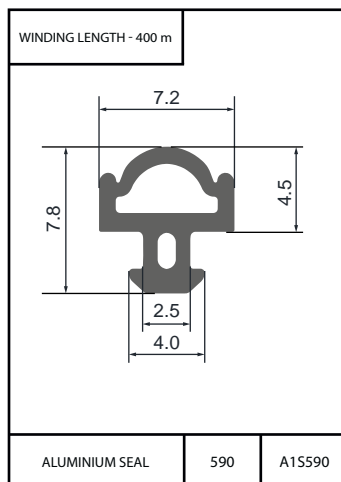
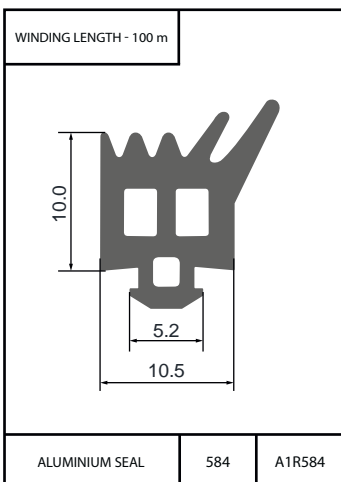
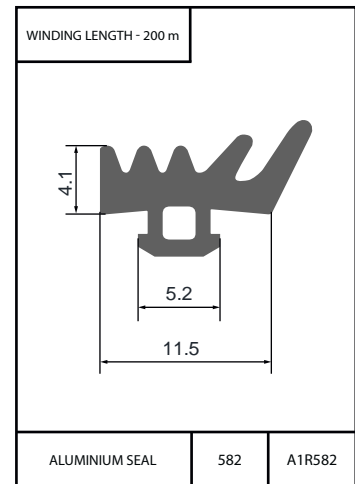
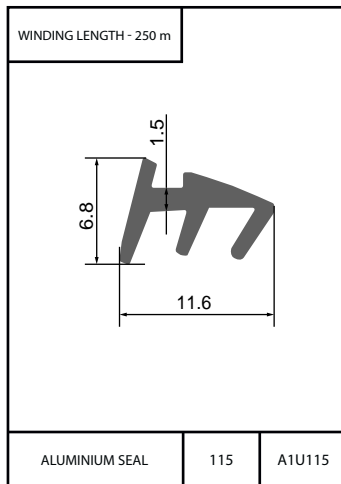
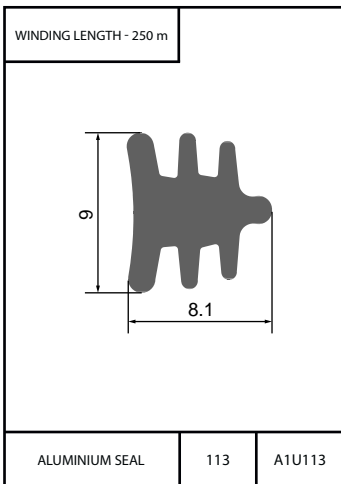
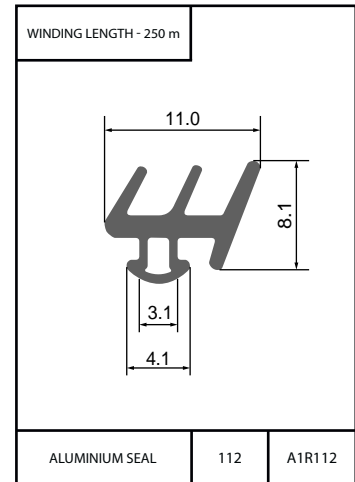
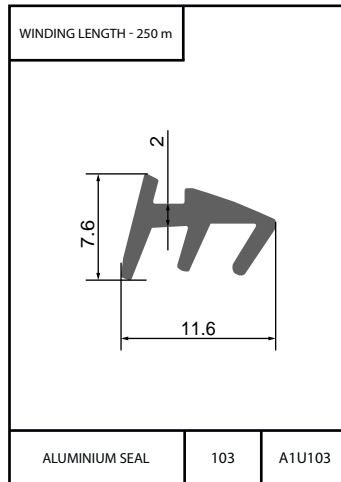
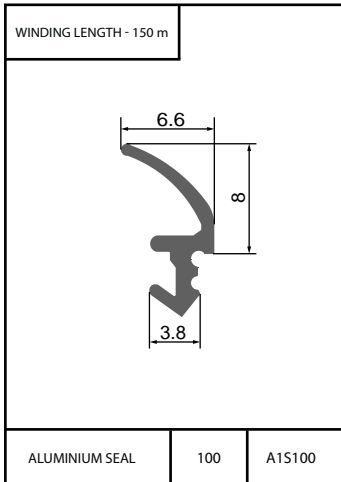
SEALS FOR DOORS



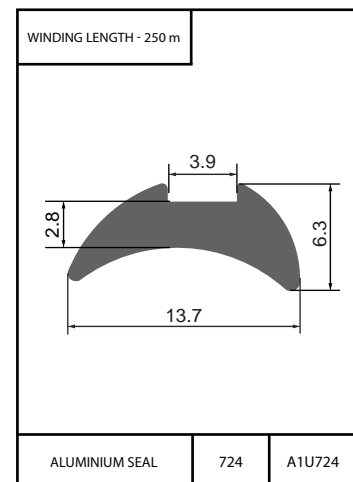
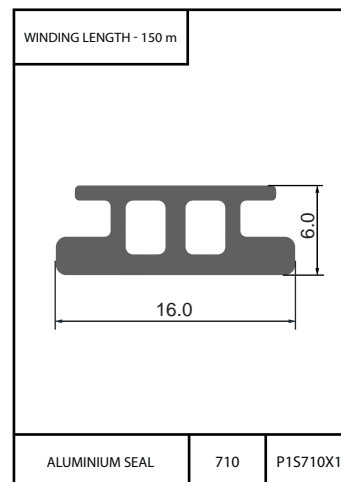
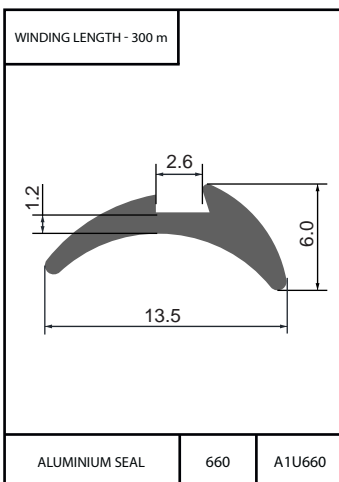
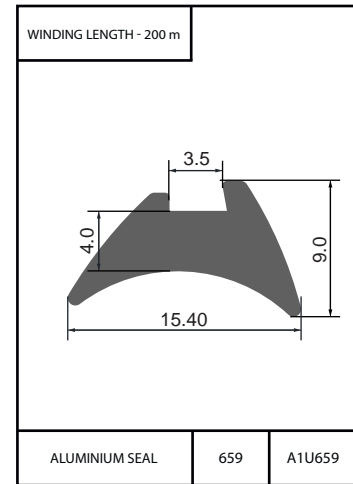
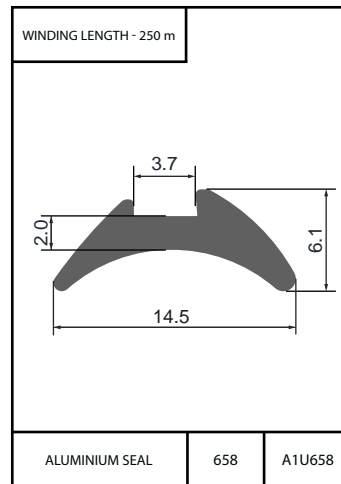
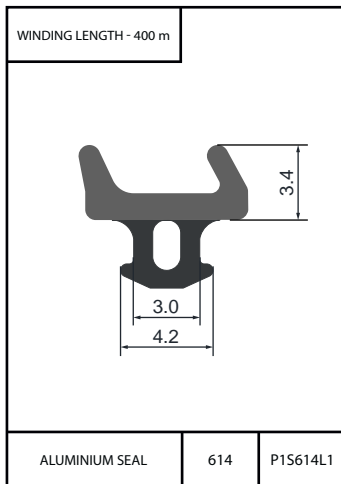
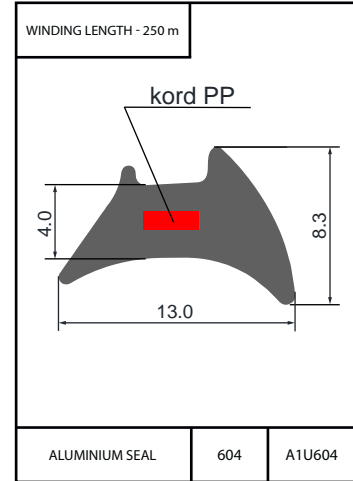
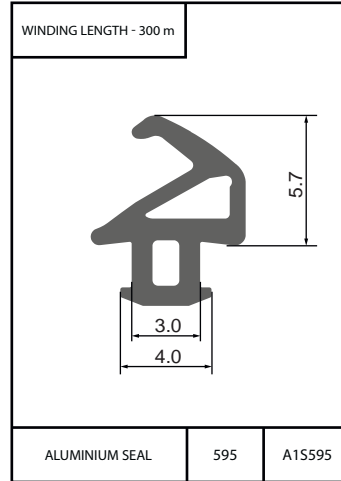
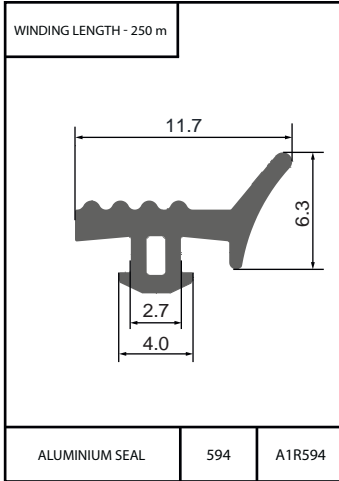
SEALS FOR ALUMINIUM STRUCTURES



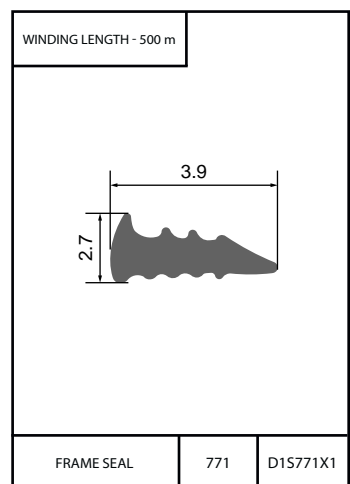
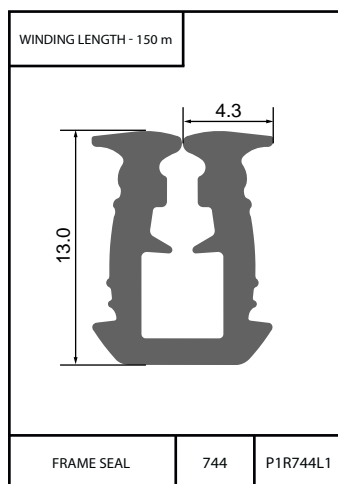
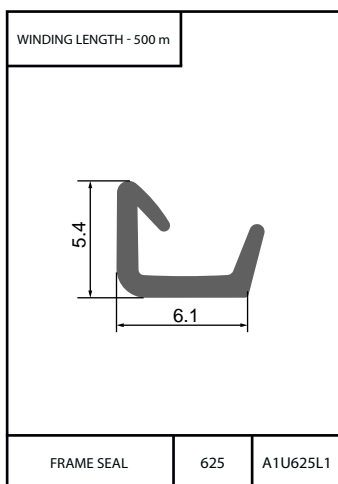
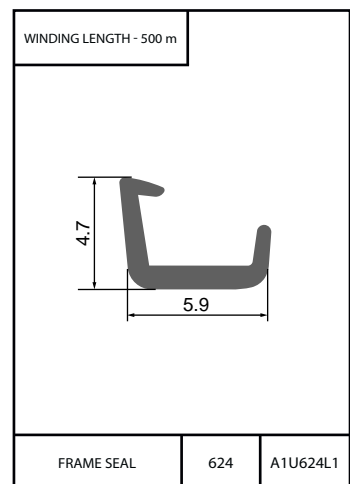
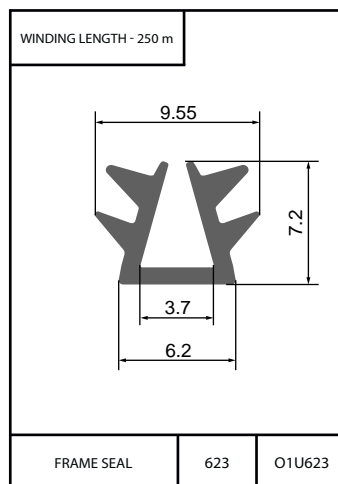
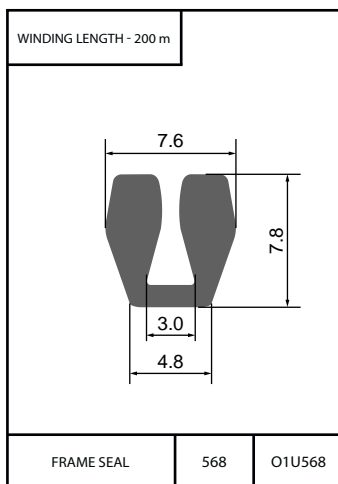
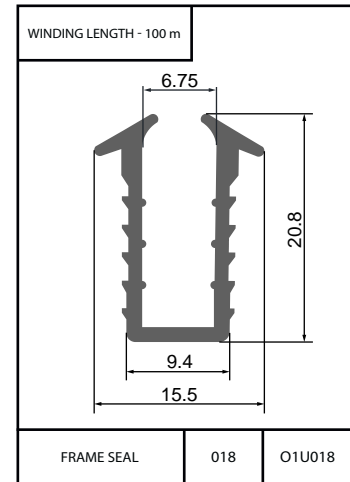
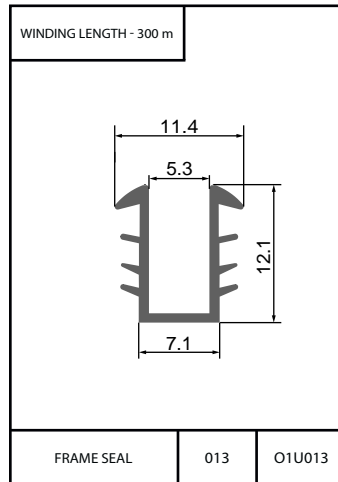
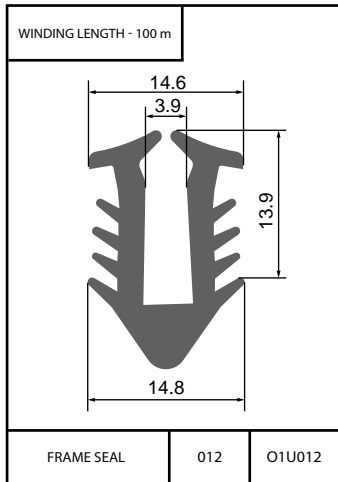
SEALS FOR ALUMINIUM STRUCTURES



SEALS FOR ALUMINIUM STRUCTURES

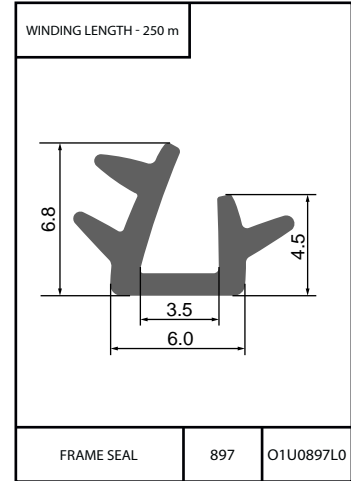
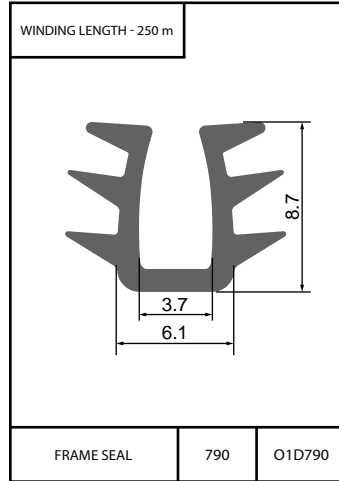
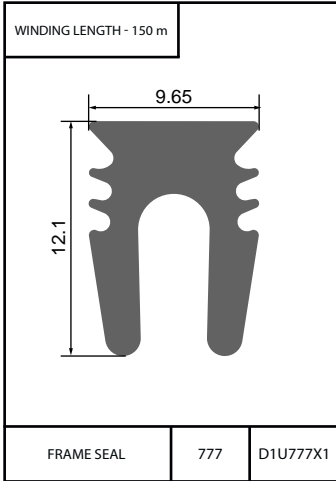


SEALS FOR FURNITURE STRUCTURES





SEALS FOR FURNITURE STRUCTURES





SEALS FOR PVC CONSTRUCTIONS ONE-COMPONENT

WINDING LENGTH - 600 m

PVC WINDOWS SEAL 001 P1M001

WINDING LENGTH - 250 m

PVC WINDOWS SEAL 001 P1R001

WINDING LENGTH - 40 m/50 m

PVC WINDOWS SEAL 002 P1P002

WINDING LENGTH - 300 m

PVC WINDOWS SEAL 005 P1U005

WINDING LENGTH - 200 m

PVC WINDOWS SEAL 009 P1S009

WINDING LENGTH - 300 m

PVC WINDOWS SEAL 014 P1Z009

WINDING LENGTH - 200 m

PVC WINDOWS SEAL 038 P1S038

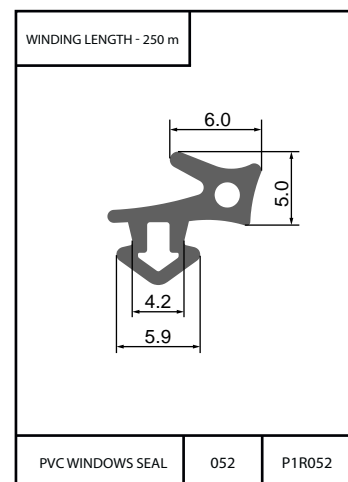
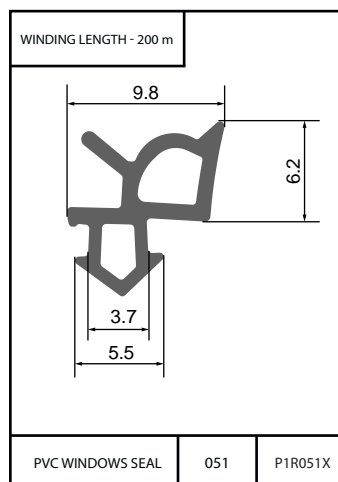
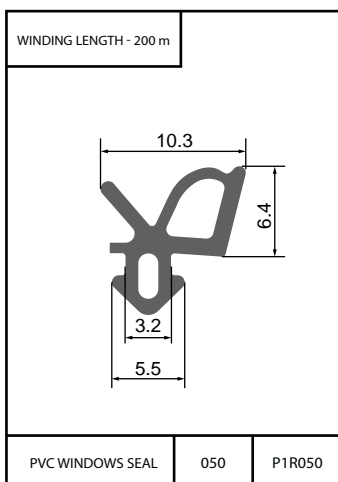
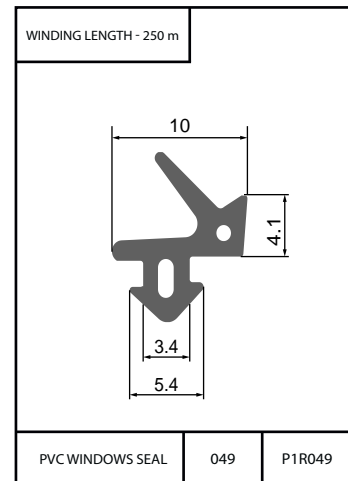
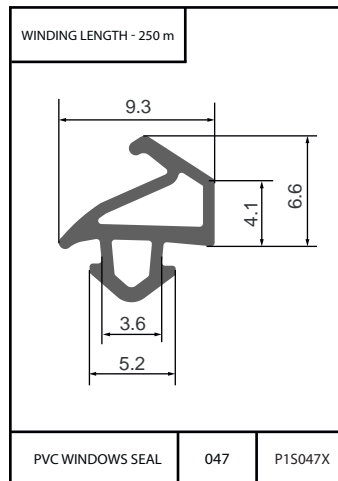
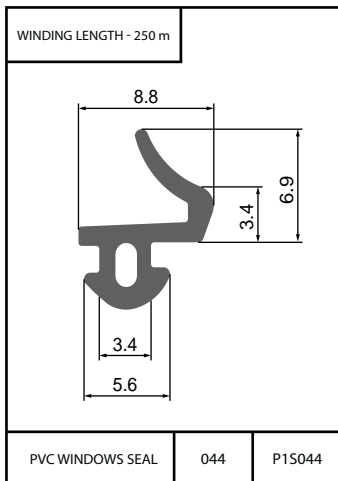
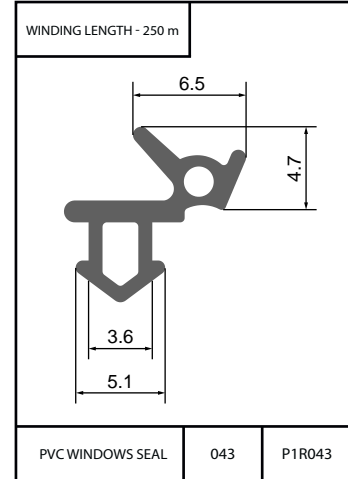
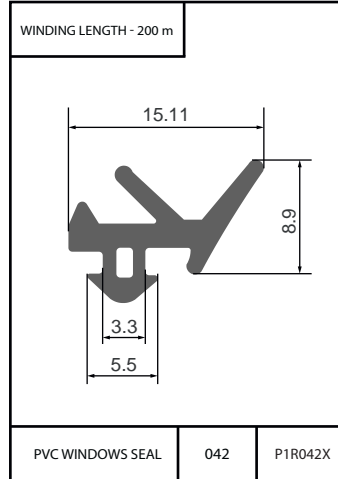
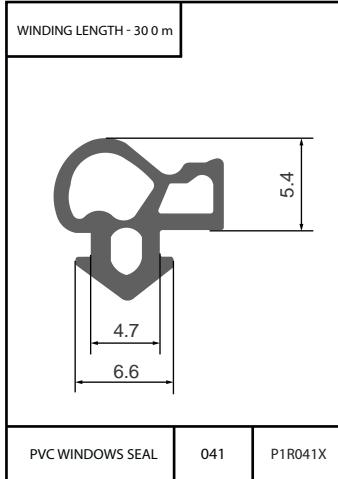
WINDING LENGTH - 200 m

PVC WINDOWS SEAL 039 P1R039

WINDING LENGTH - 300 m

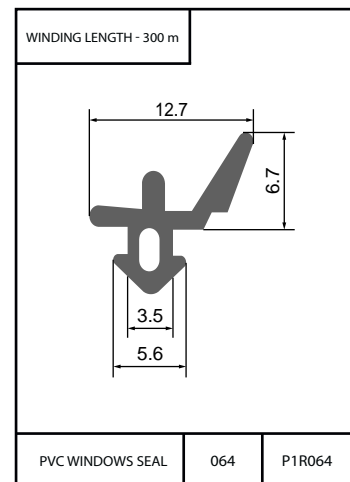
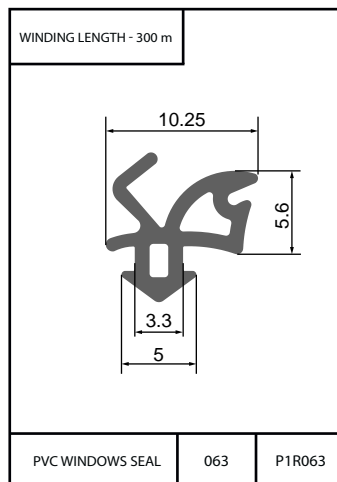
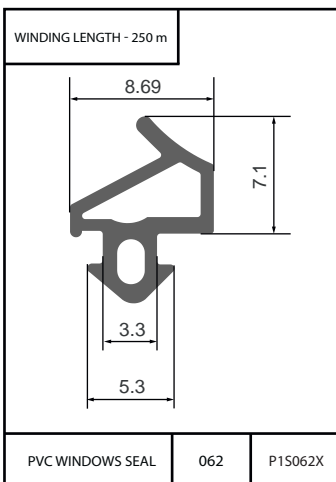
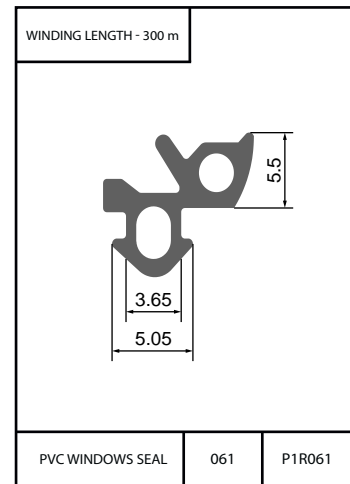
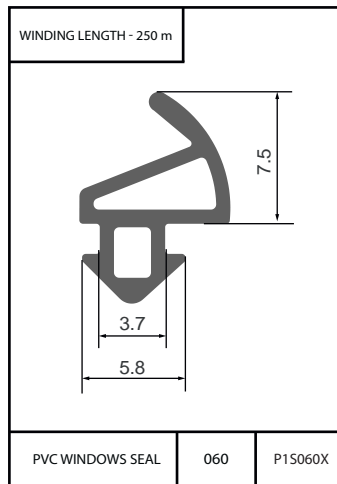
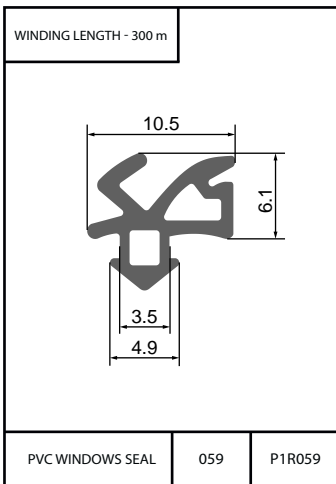
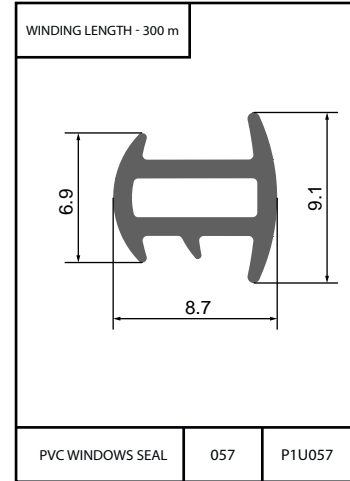
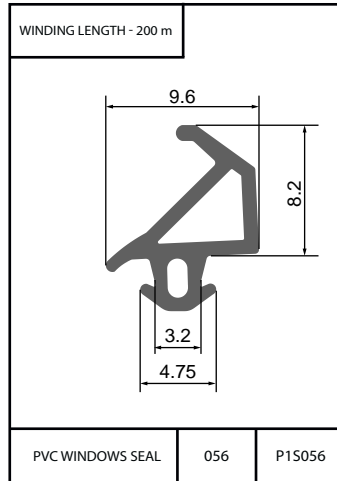
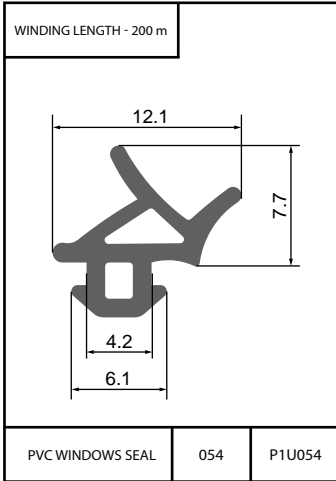
PVC WINDOWS SEAL 040 P1R040X

SEALS FOR PVC CONSTRUCTIONS ONE-COMPONENT



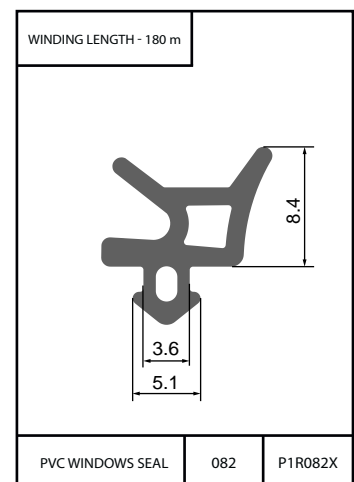
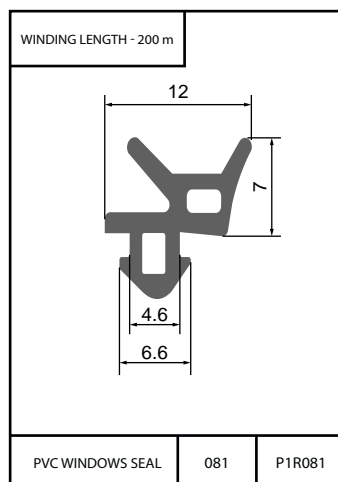
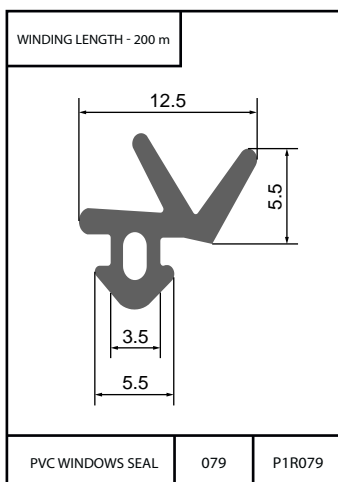
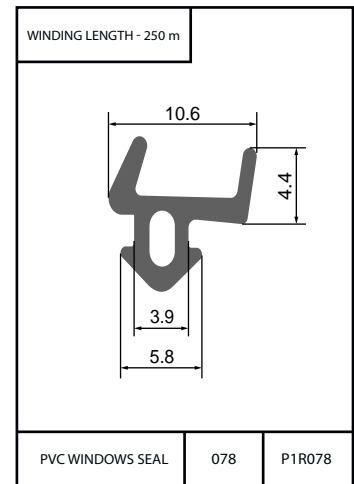
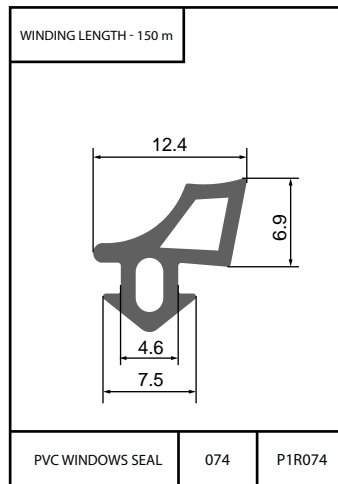
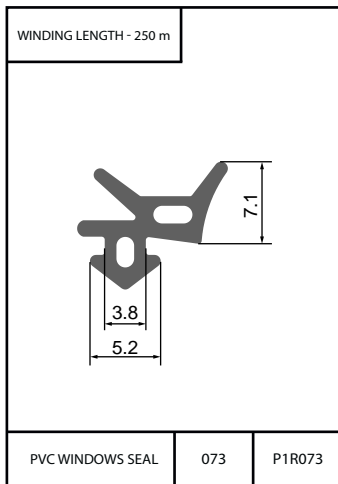
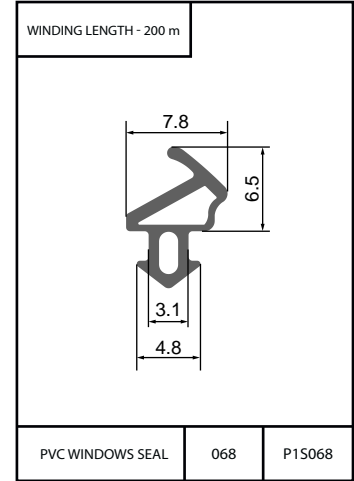
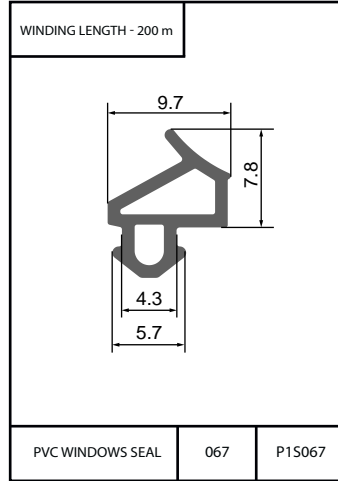
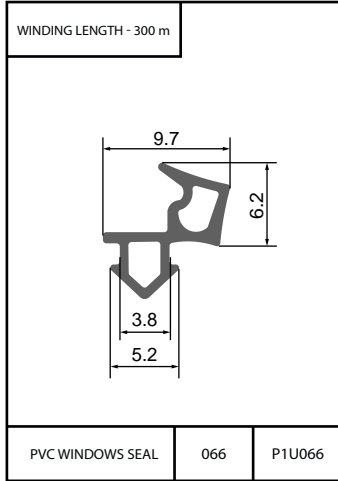


SEALS FOR PVC CONSTRUCTIONS ONE-COMPONENT



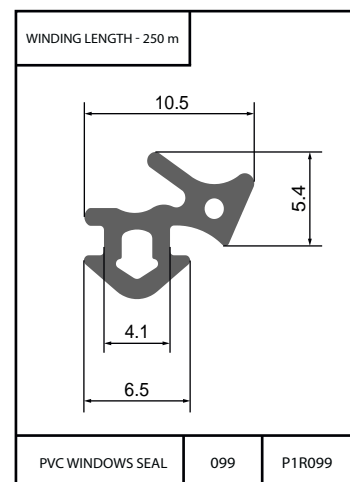
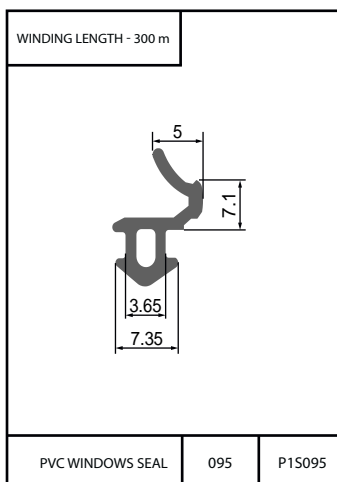
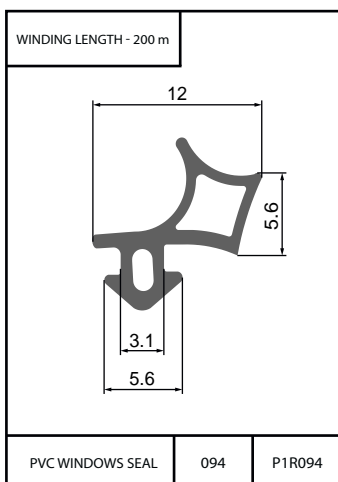
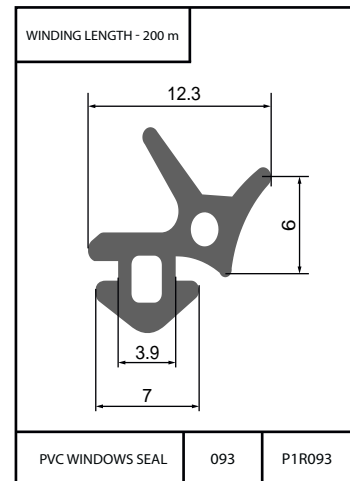
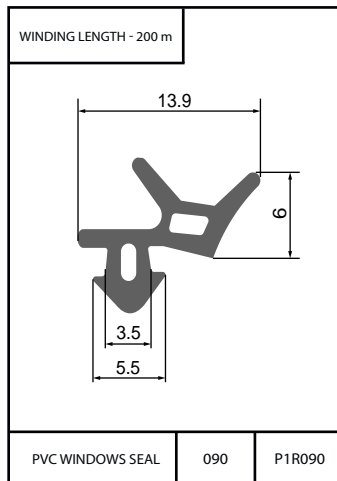
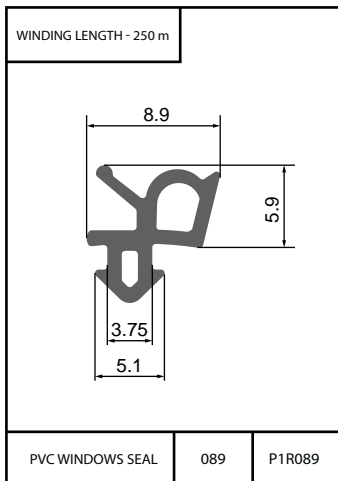
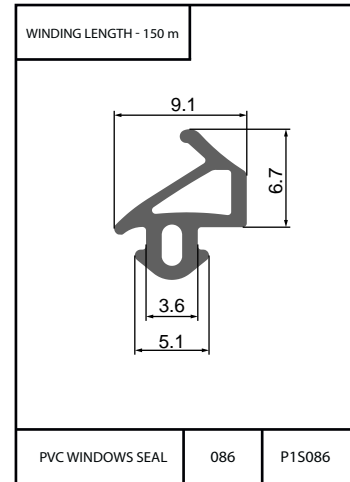
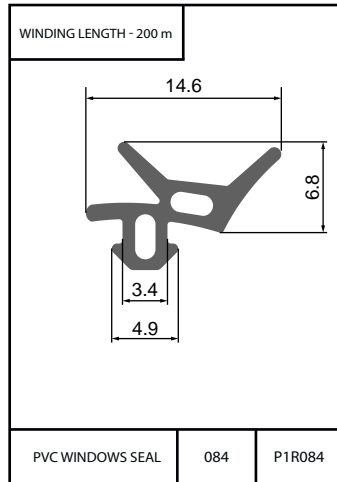
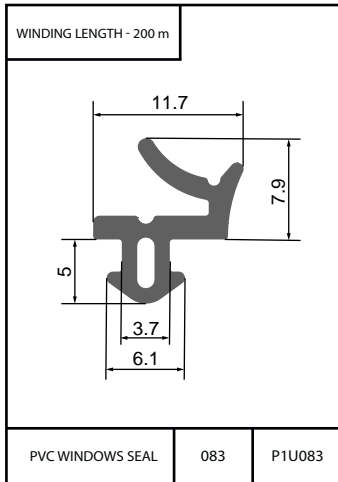


SEALS FOR PVC CONSTRUCTIONS ONE-COMPONENT

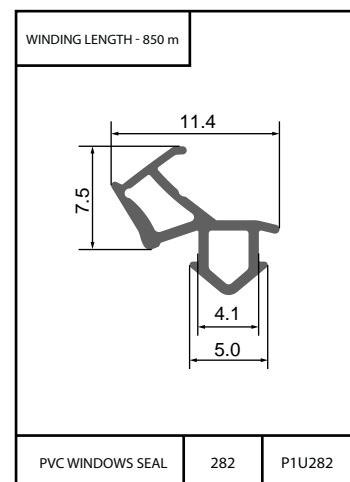
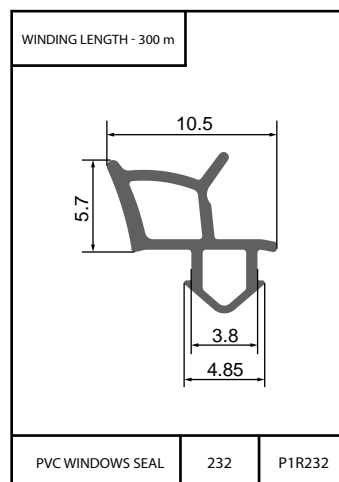
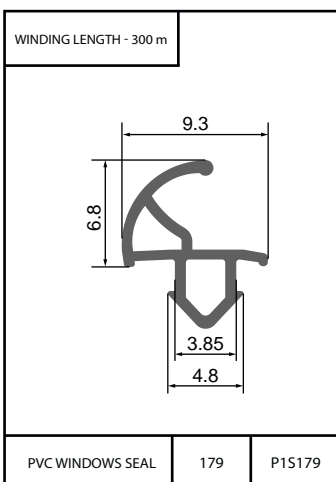
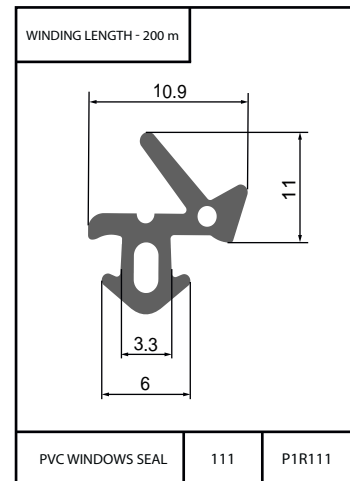
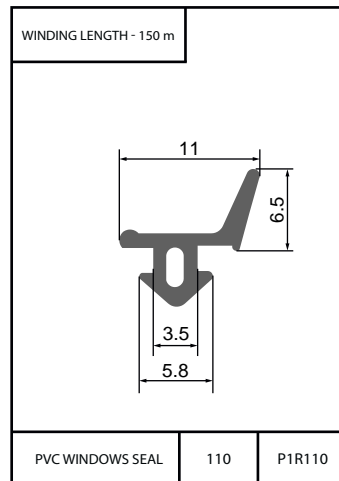
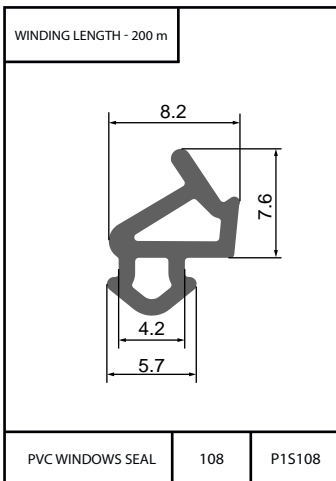
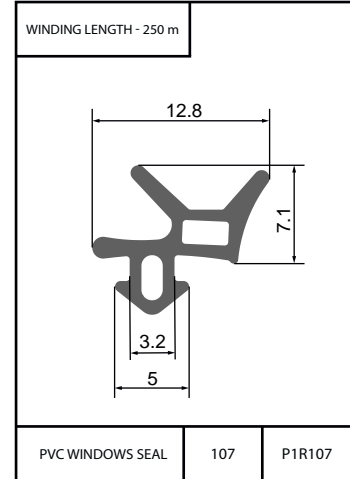
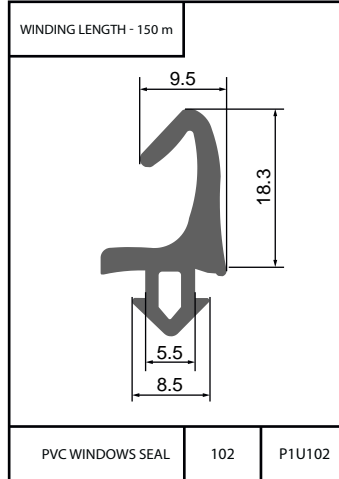
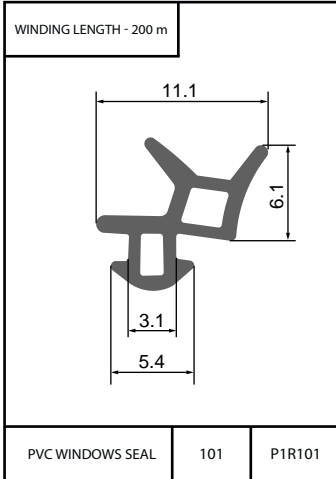




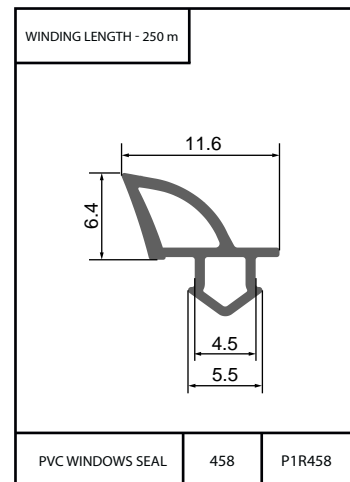
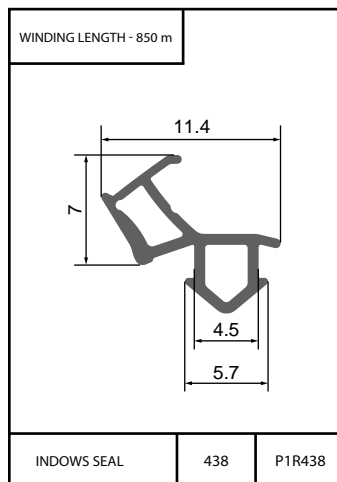
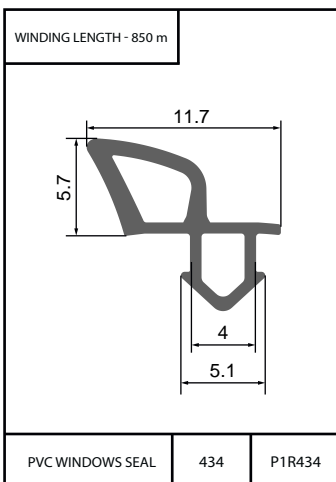
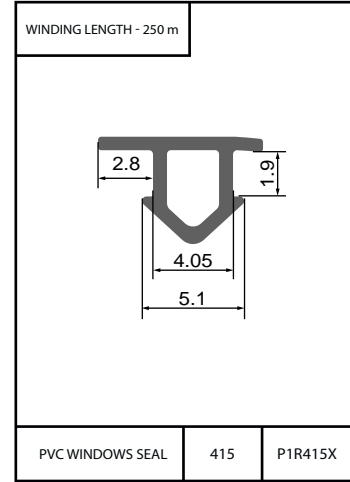
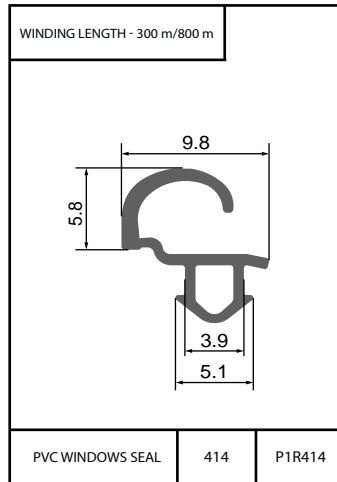
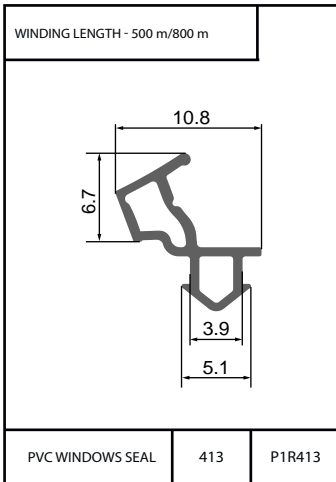
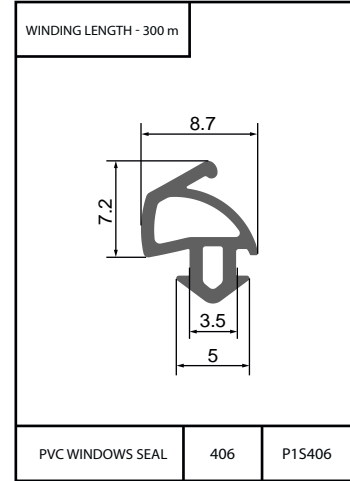
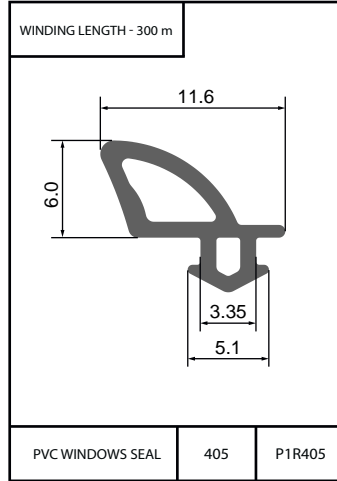
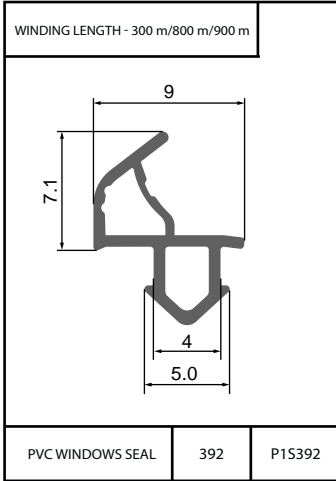
SEALS FOR PVC CONSTRUCTIONS ONE-COMPONENT



SEALS FOR PVC CONSTRUCTIONS ONE-COMPONENT

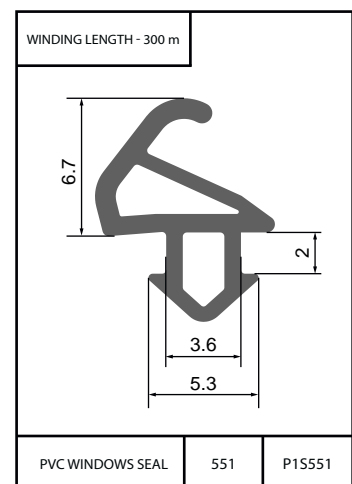
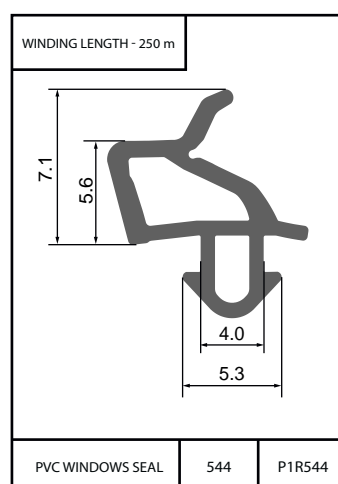
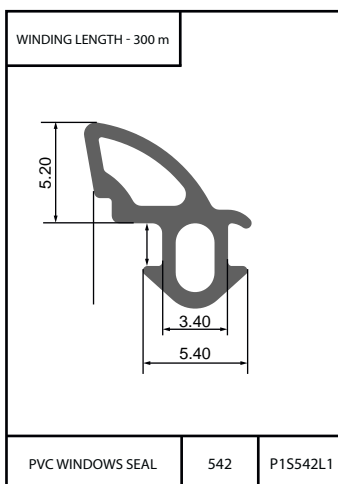
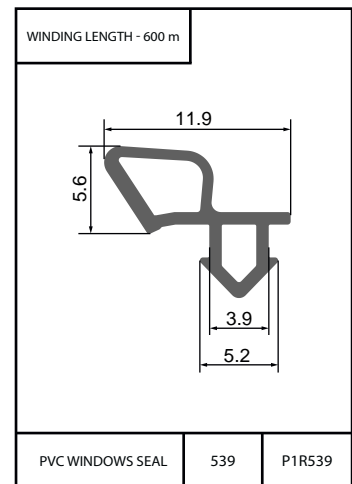
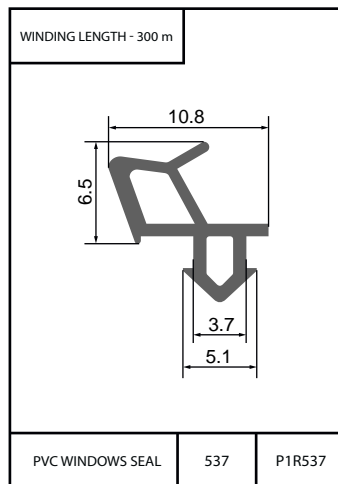
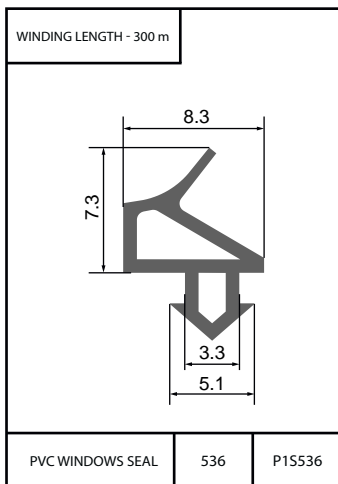
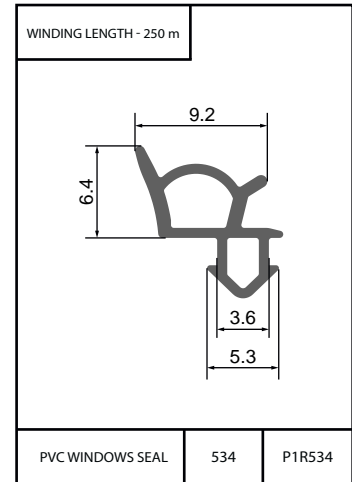
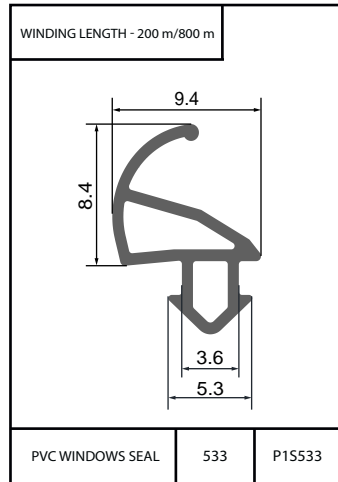
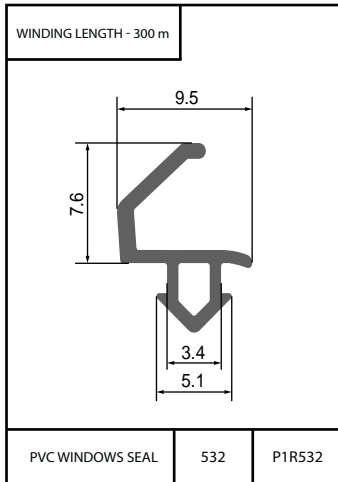


SEALS FOR PVC CONSTRUCTIONS ONE-COMPONENT



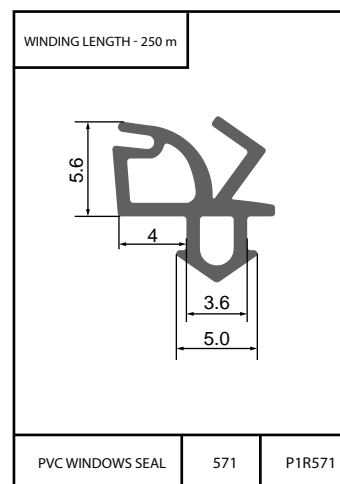
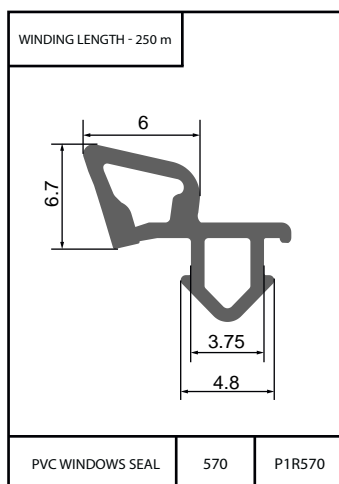
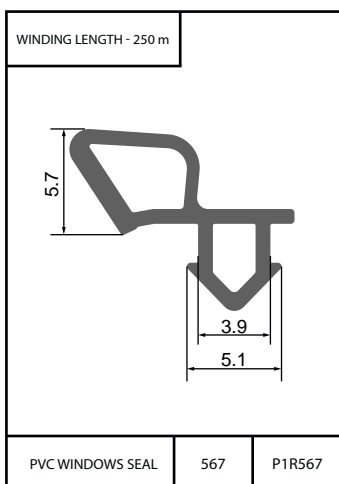
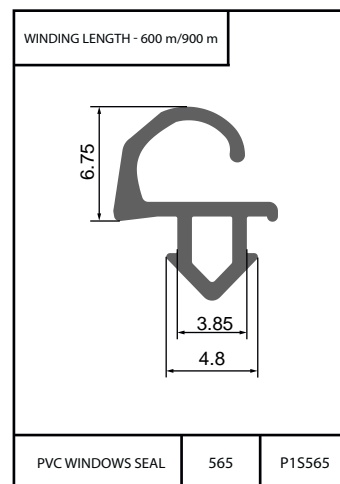
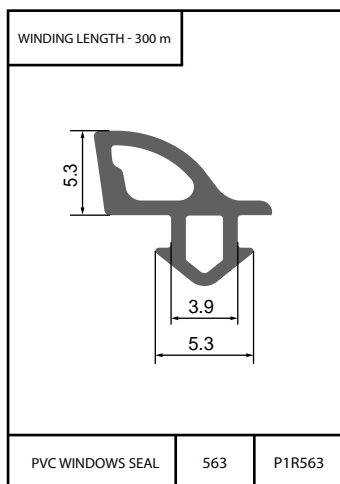
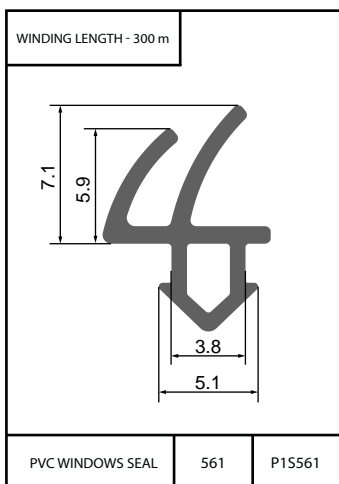
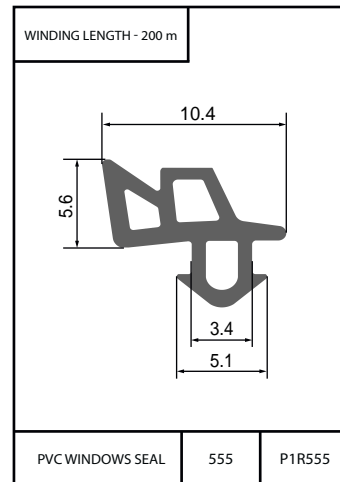
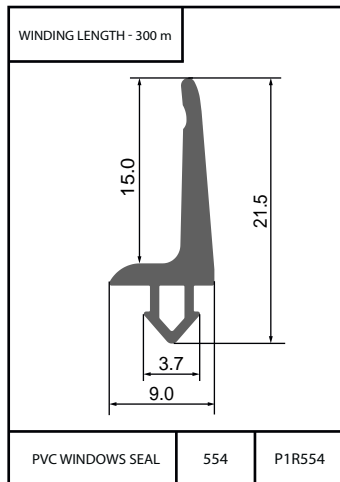
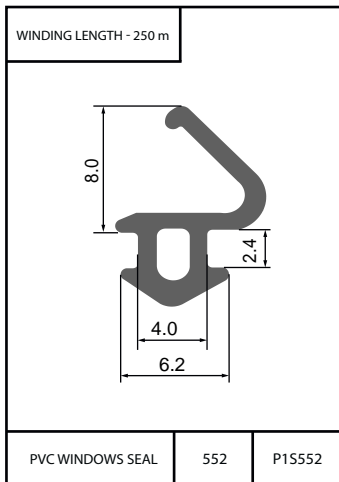


SEALS FOR PVC CONSTRUCTIONS ONE-COMPONENT



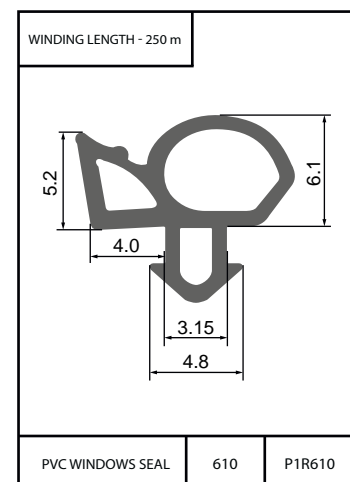
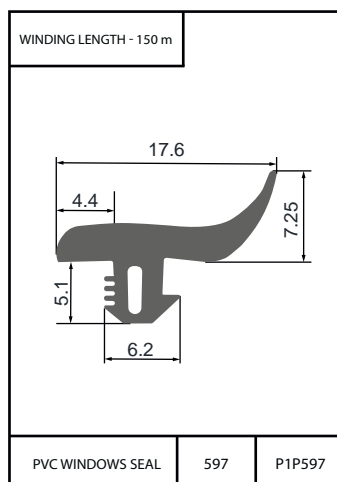
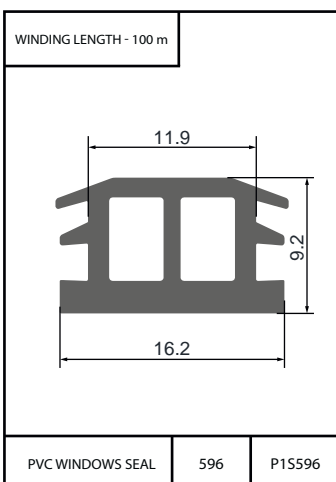
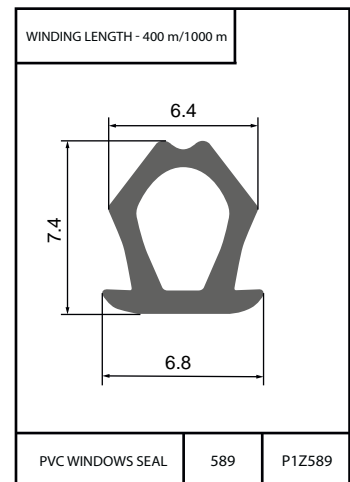
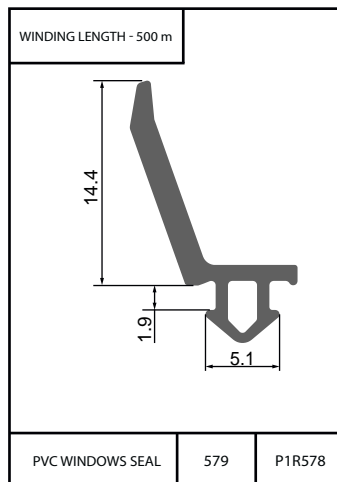
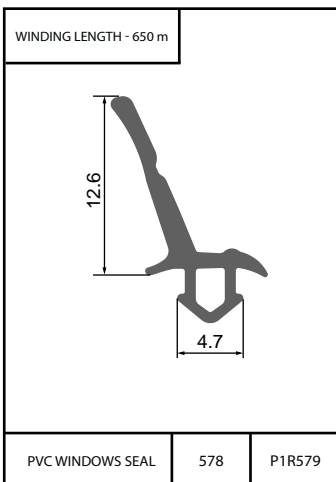
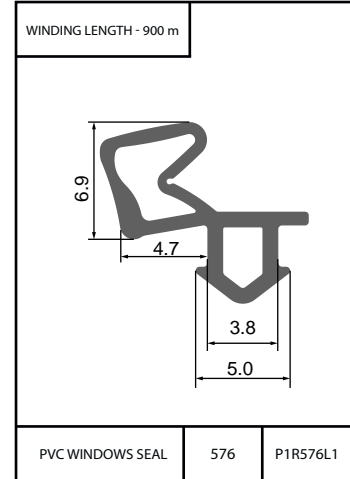
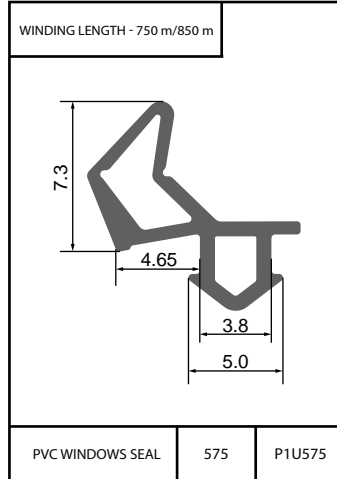
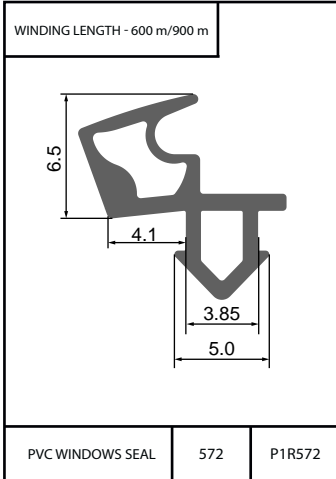


SEALS FOR PVC CONSTRUCTIONS ONE-COMPONENT



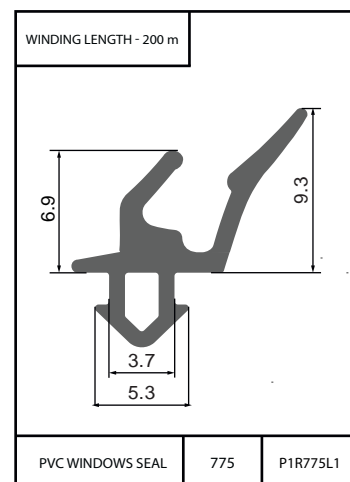
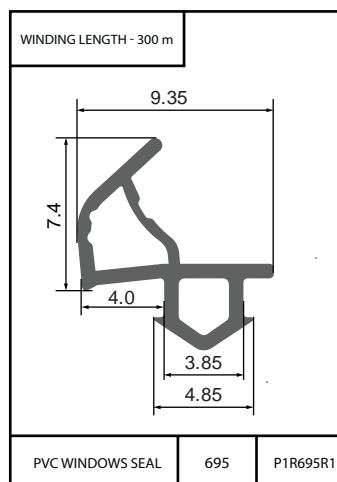
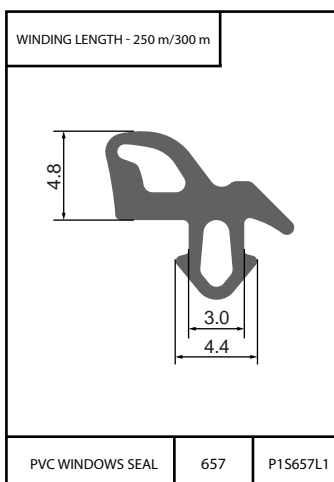
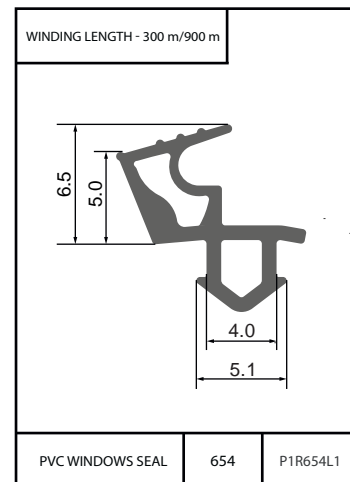
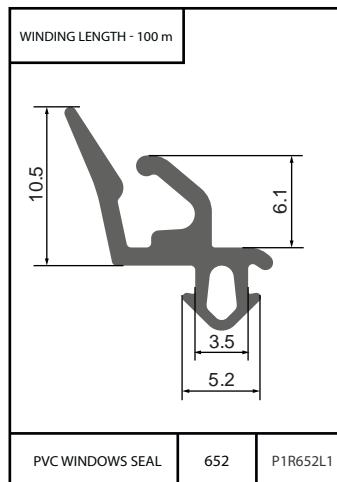
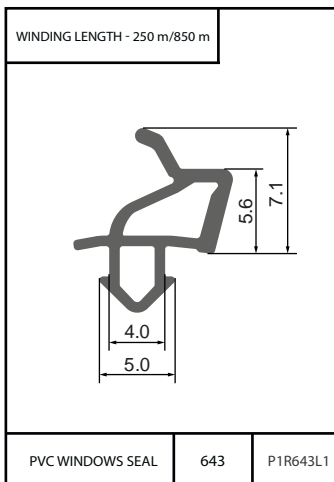
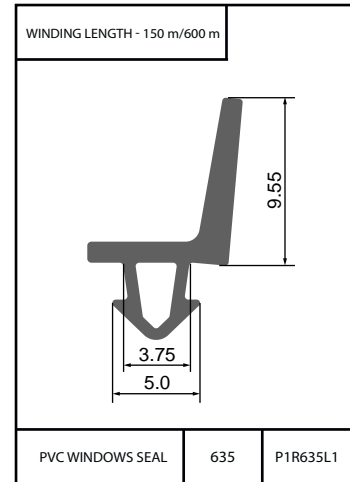
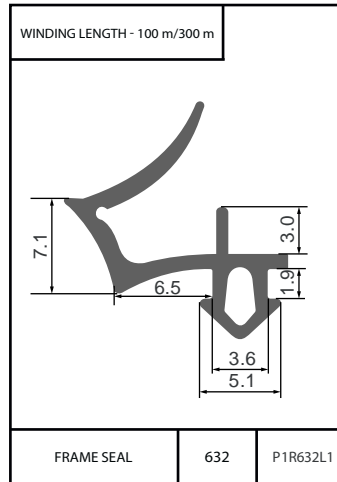
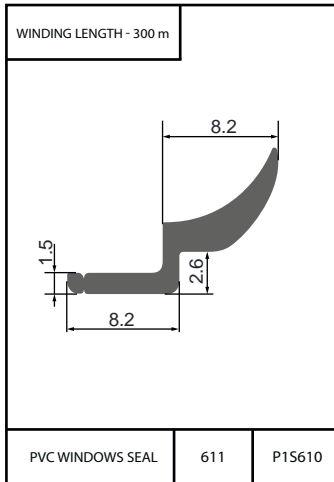


SEALS FOR PVC CONSTRUCTIONS ONE-COMPONENT



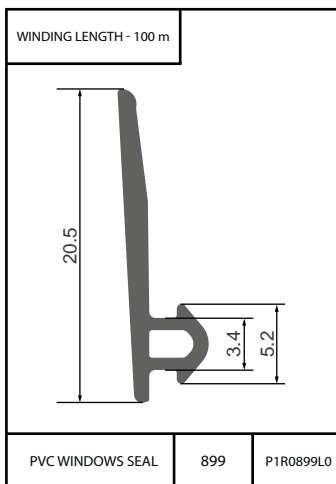
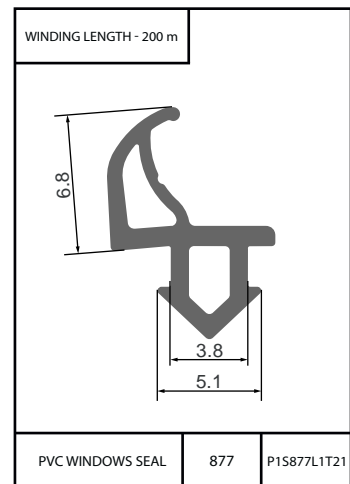
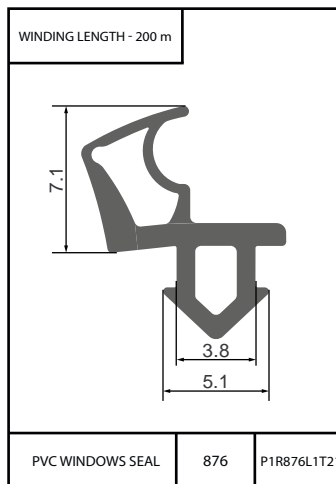
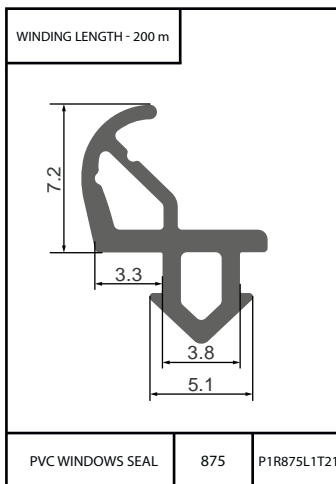
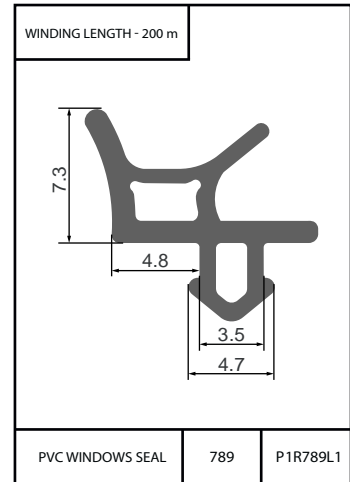
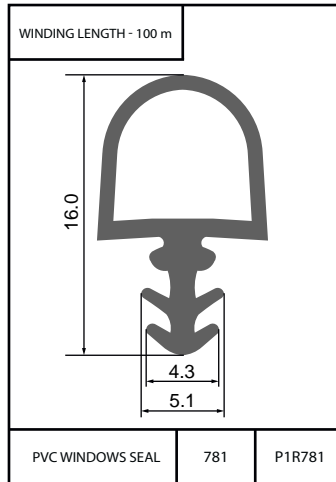
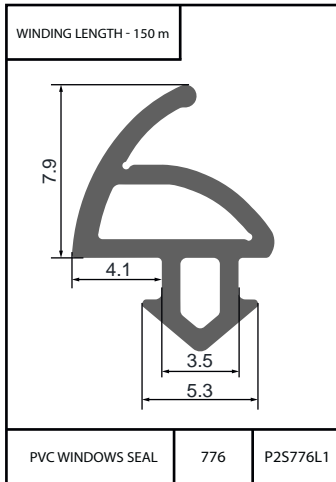


SEALS FOR PVC CONSTRUCTIONS ONE-COMPONENT



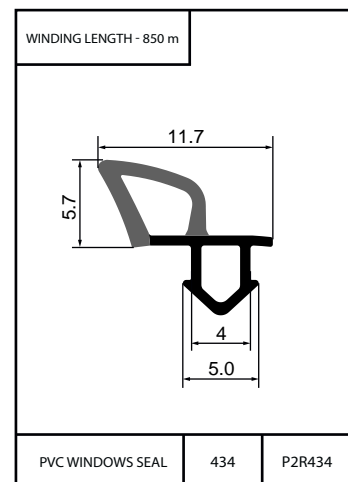
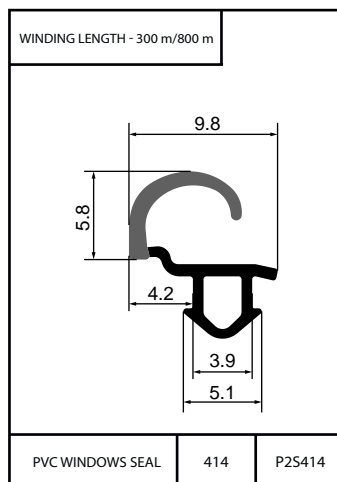
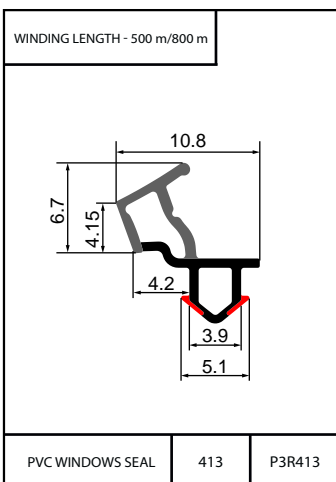
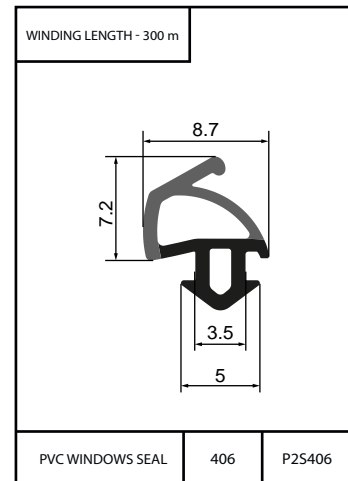
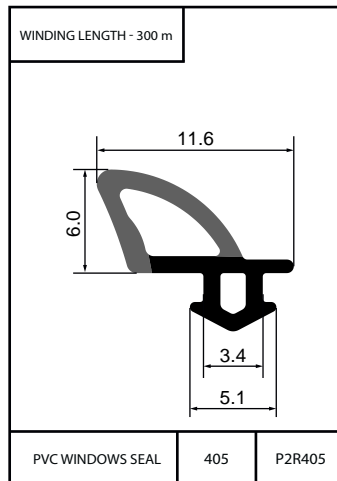
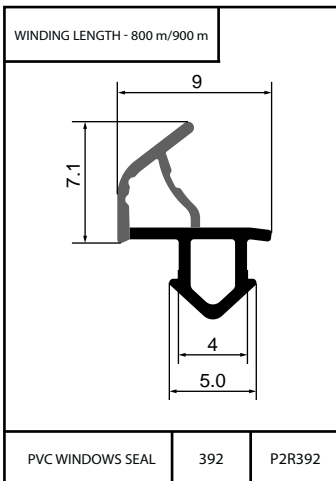
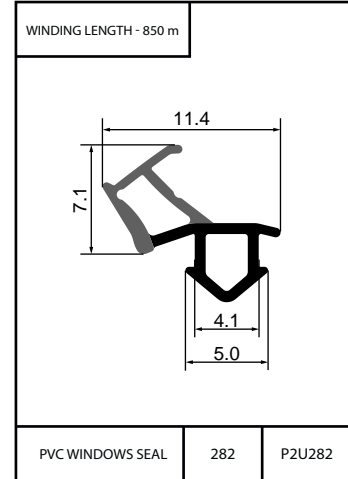
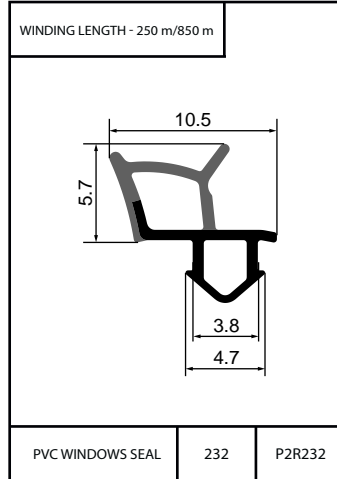
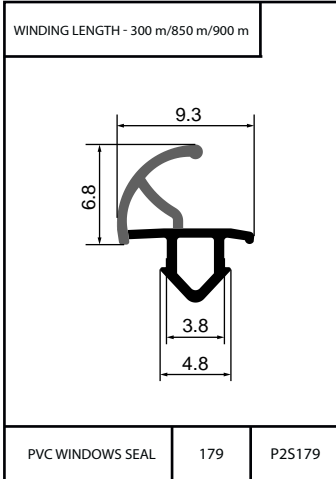


SEALS FOR PVC CONSTRUCTIONS ONE-COMPONENT



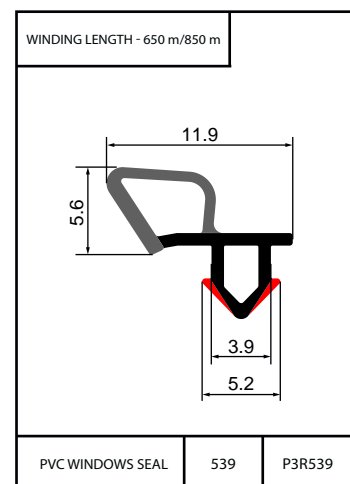
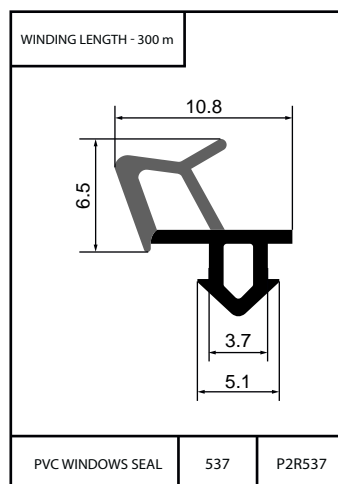
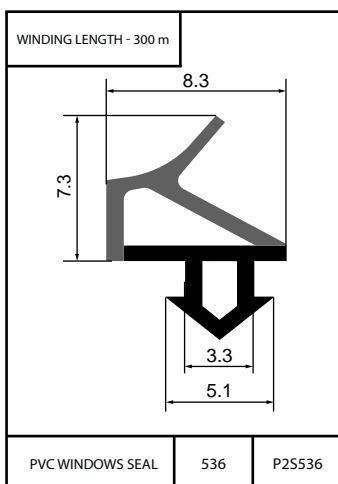
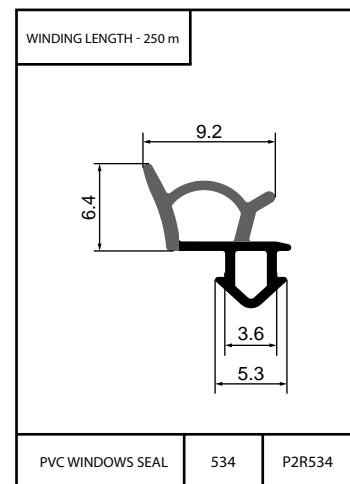
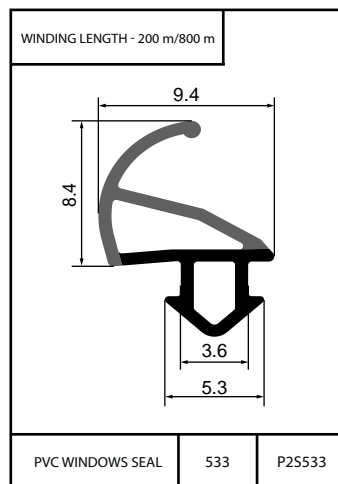
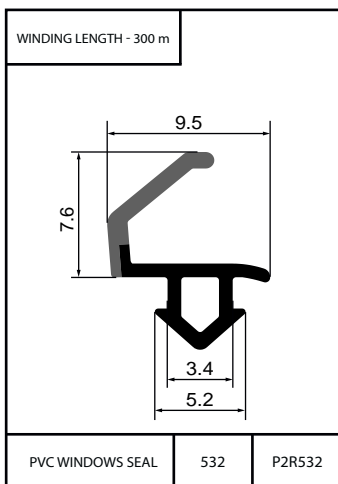
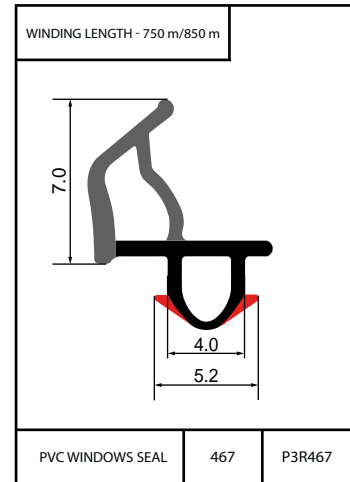
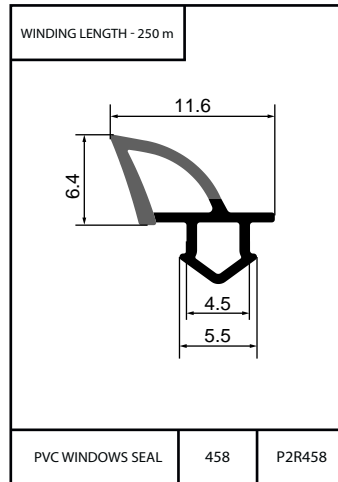
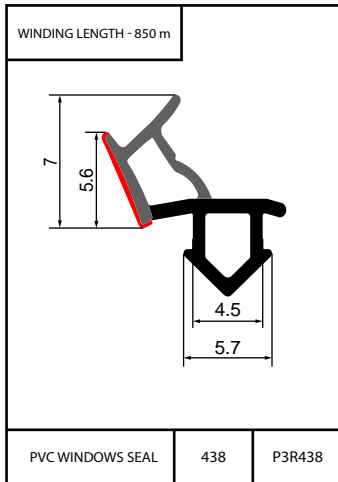


SEALS FOR PVC CONSTRUCTIONS TWO-, THREECOMPONENTS

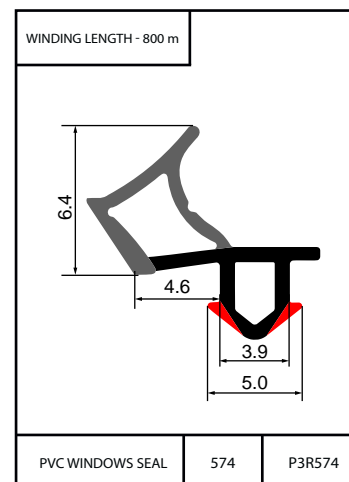
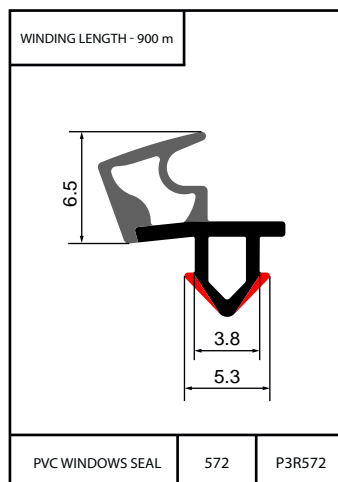
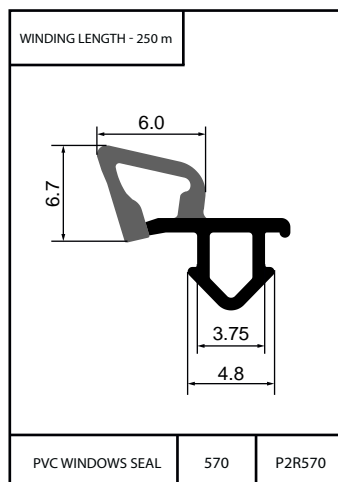
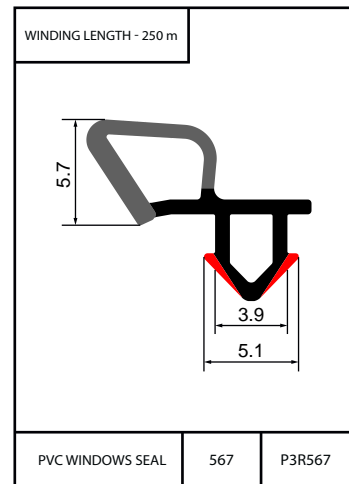
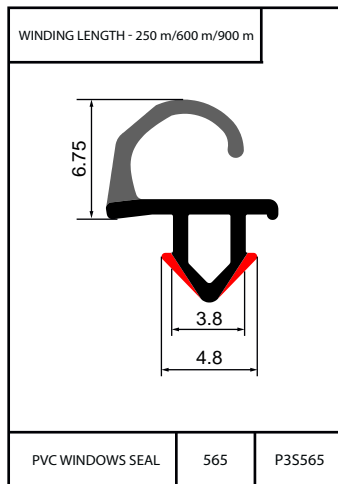
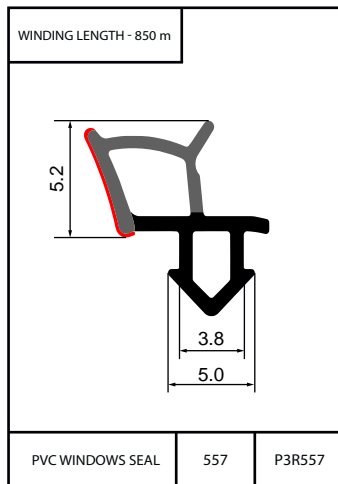
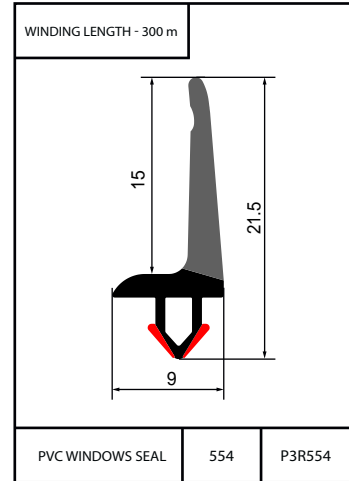
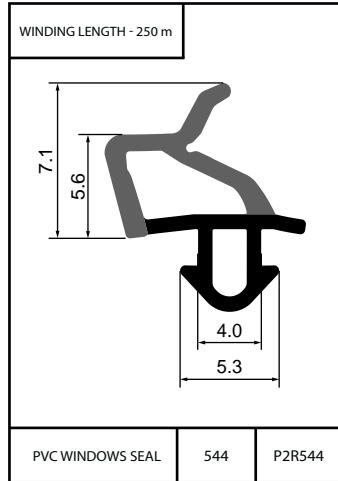
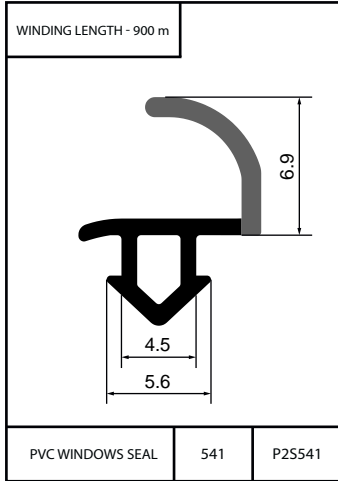




SEALS FOR PVC CONSTRUCTIONS TWO-, THREECOMPONENTS

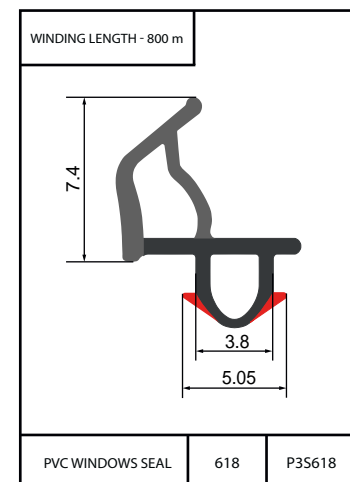
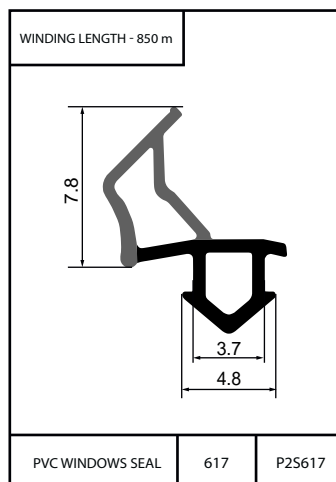
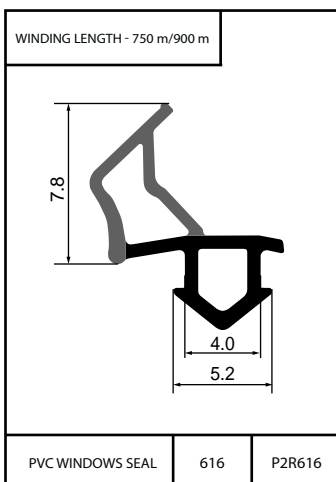
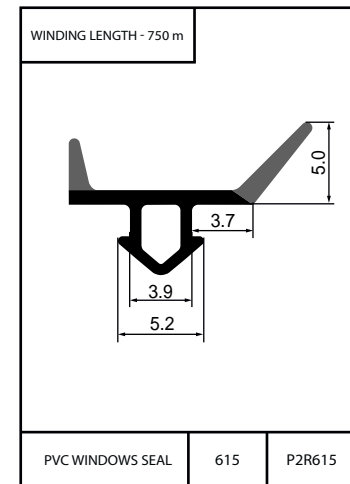
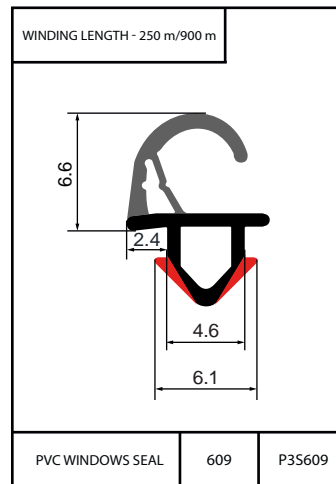
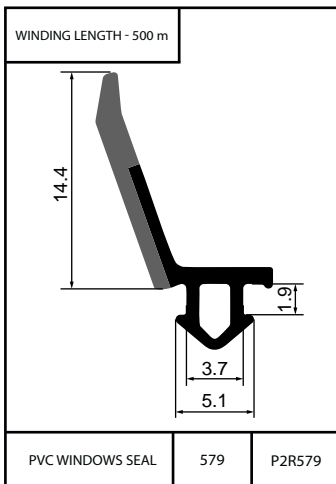
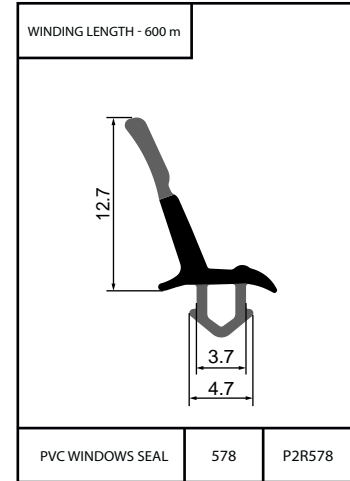
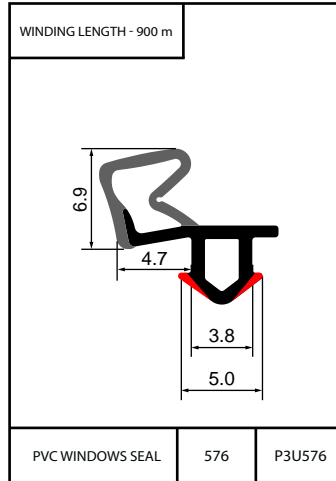
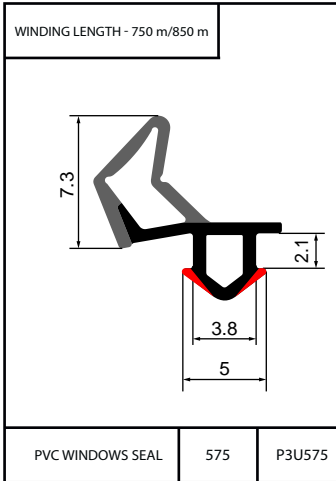


SEALS FOR PVC CONSTRUCTIONS TWO-, THREECOMPONENTS



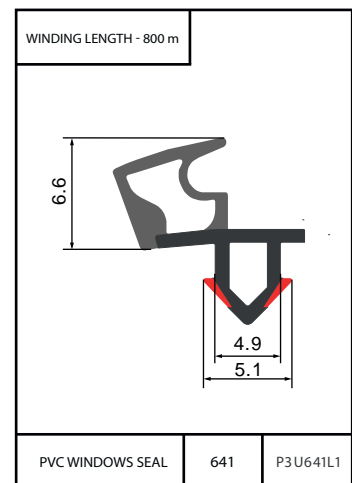
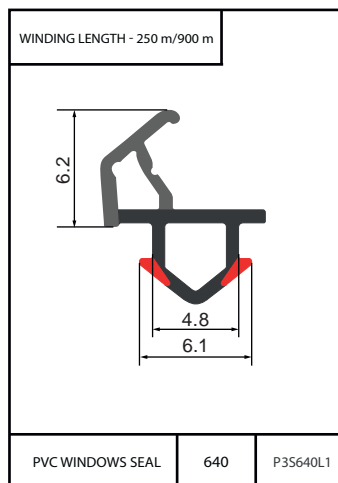
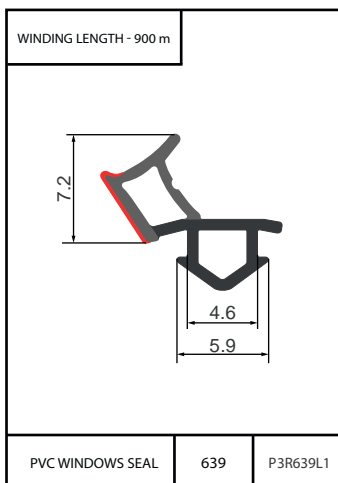
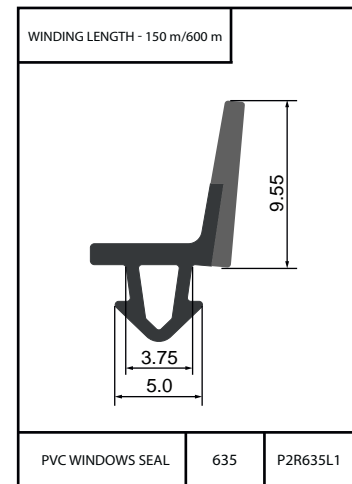
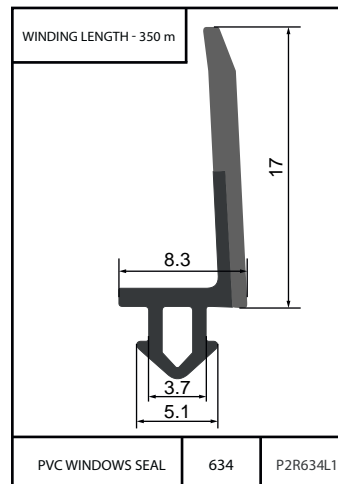
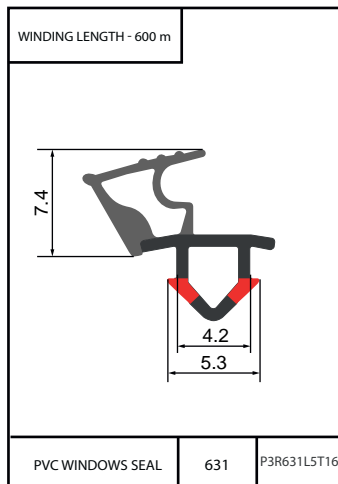
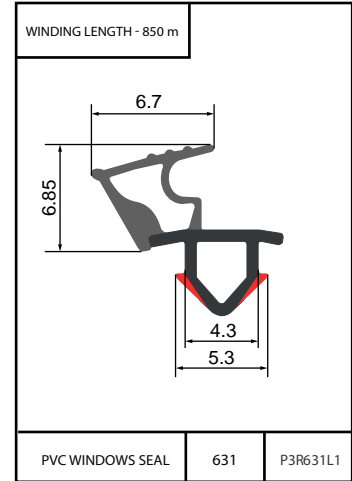
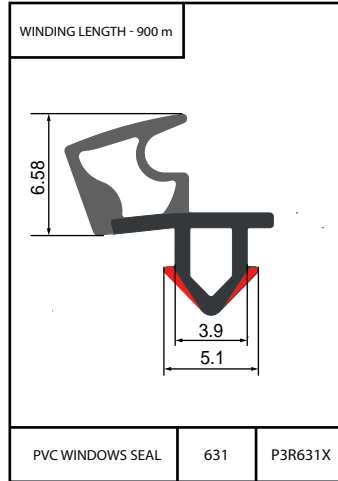
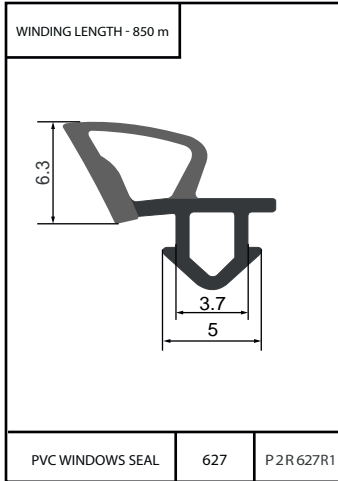


SEALS FOR PVC CONSTRUCTIONS TWO-, THREECOMPONENTS



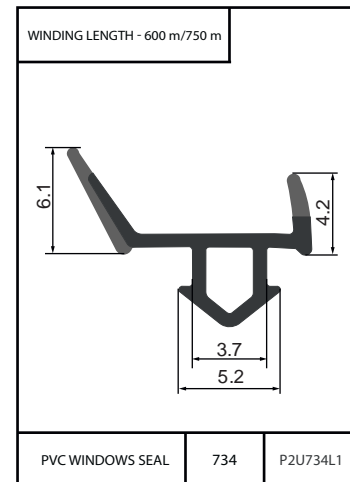
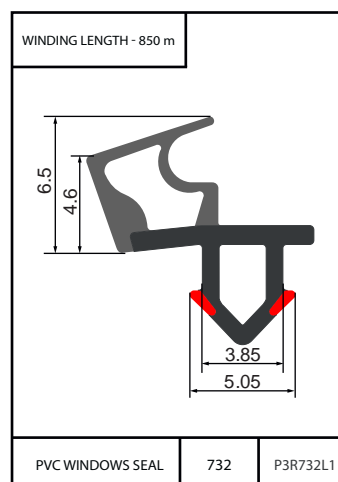
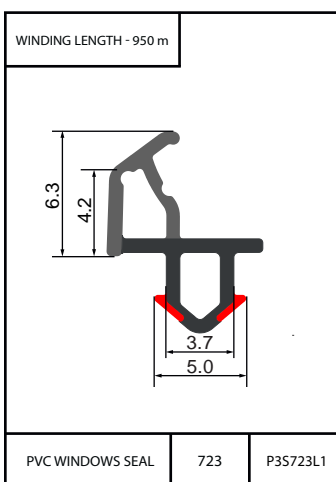
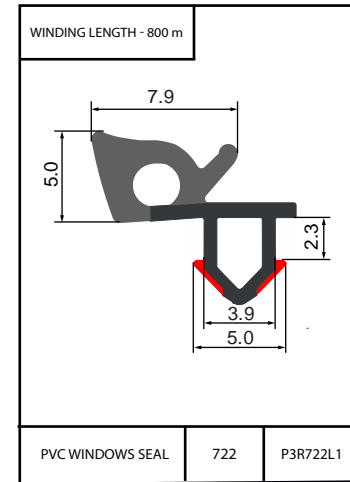
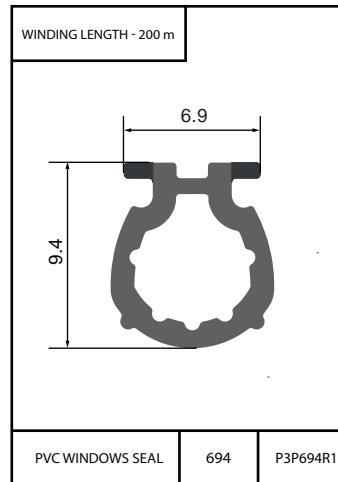
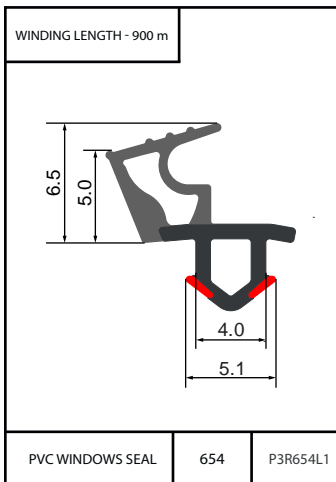
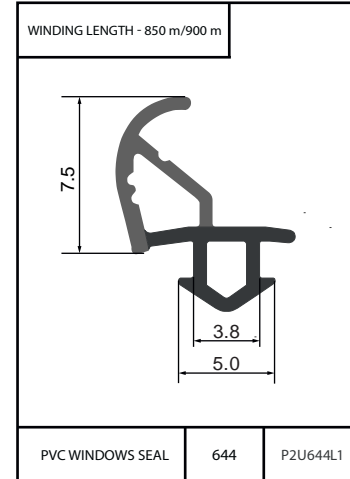
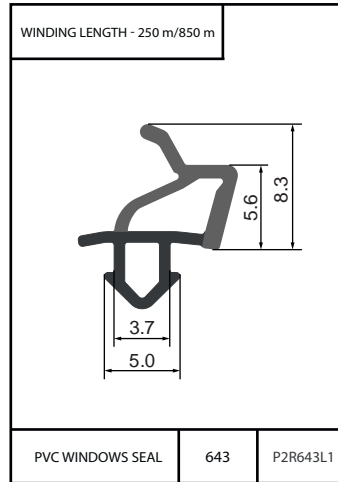
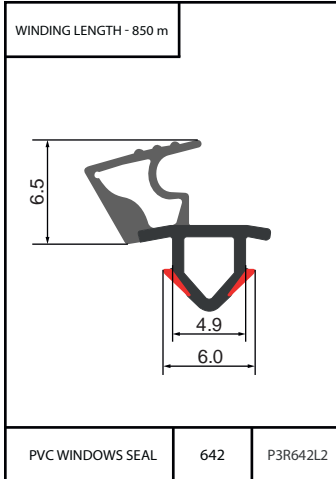


SEALS FOR PVC CONSTRUCTIONS TWO-, THREECOMPONENTS



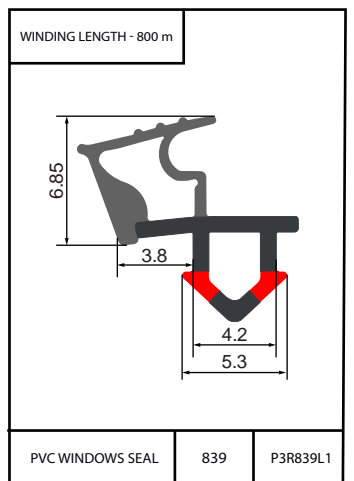
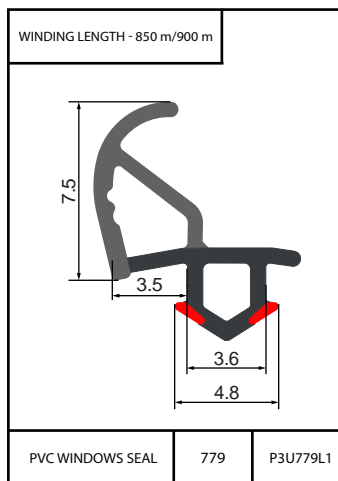
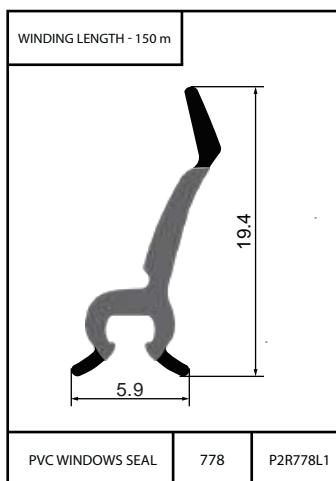
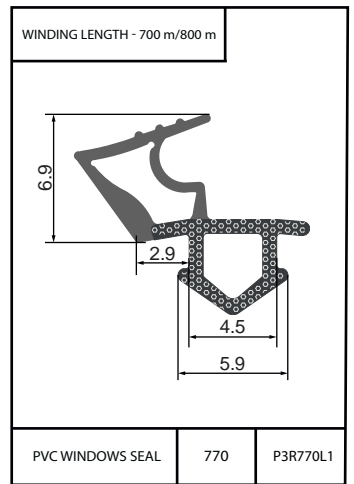
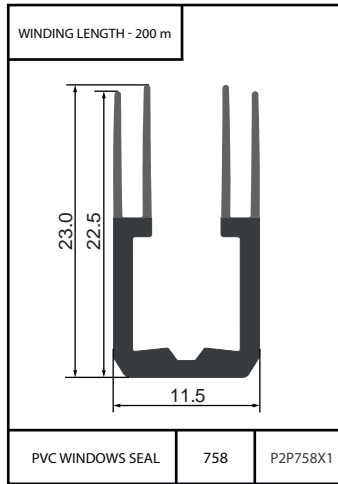
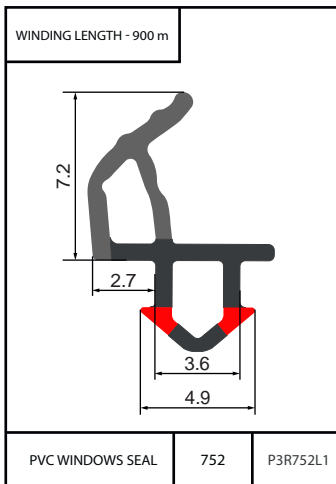
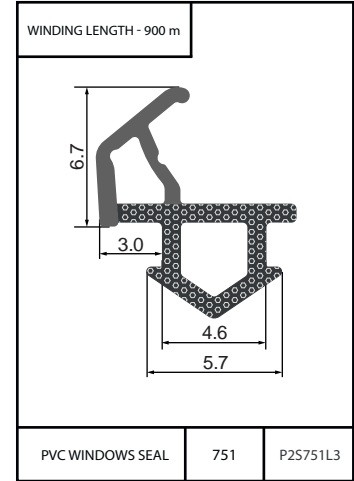
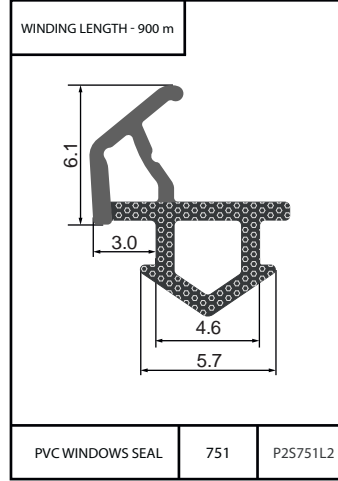
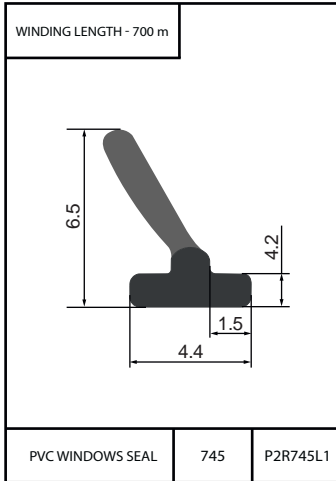


SEALS FOR PVC CONSTRUCTIONS TWO-, THREECOMPONENTS



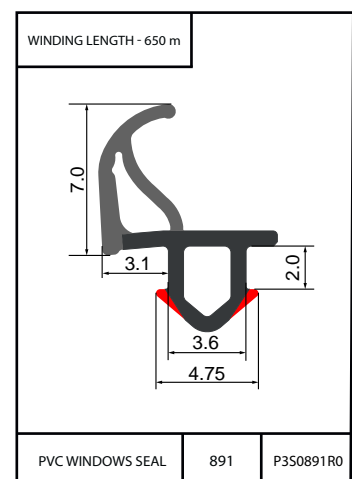
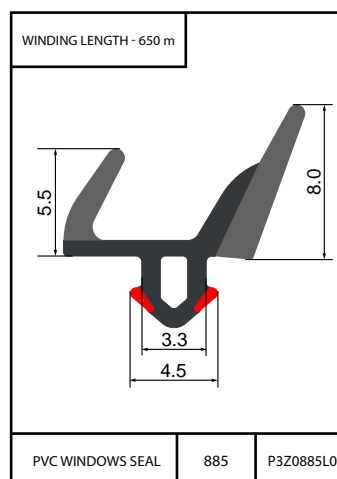
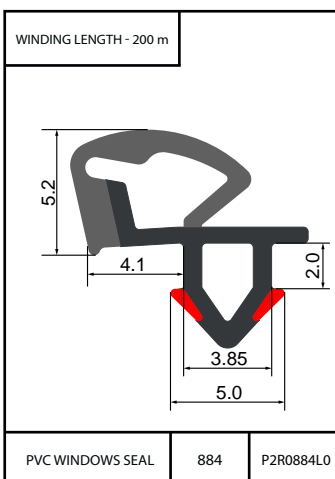
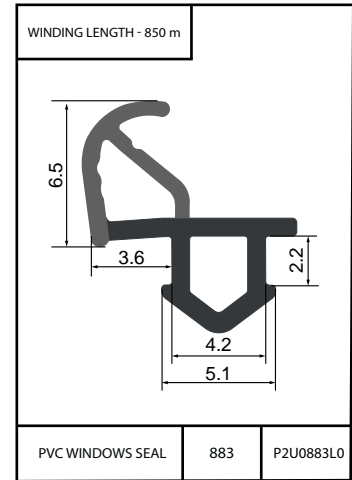
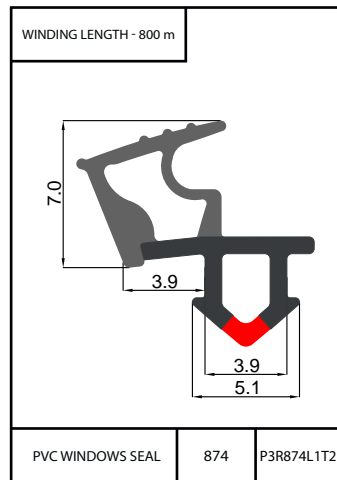
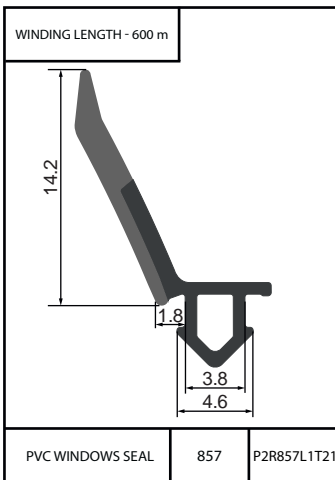
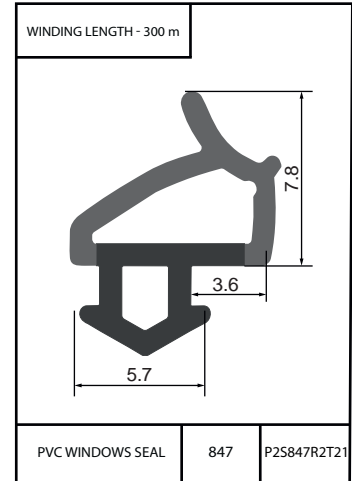
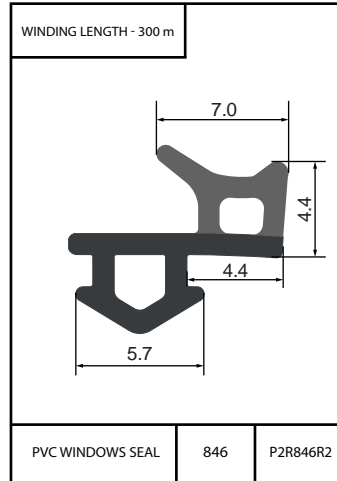
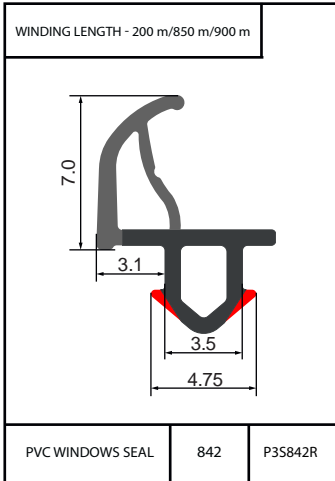


SEALS FOR PVC CONSTRUCTIONS TWO-, THREecomponents



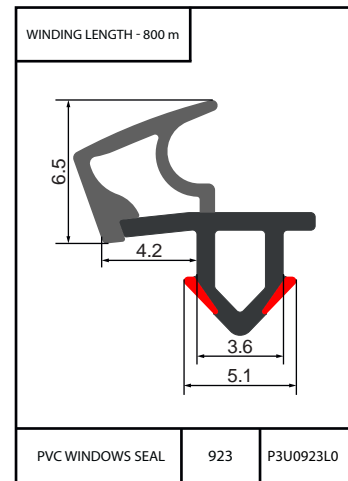
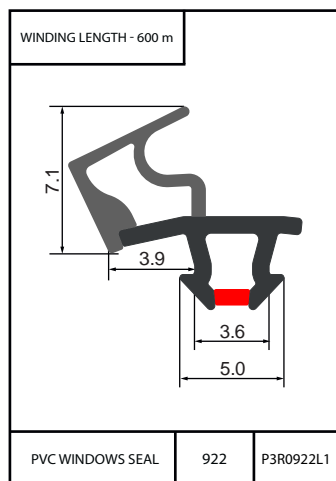
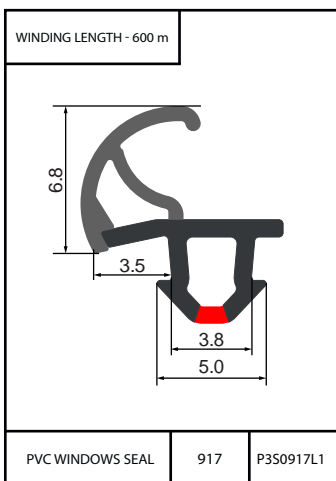
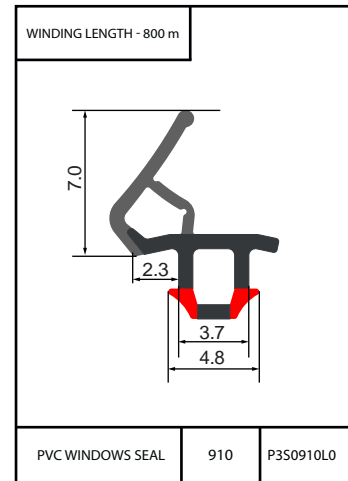
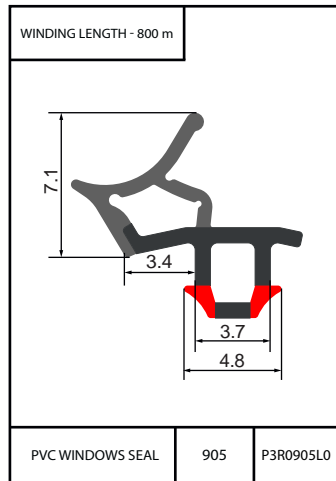
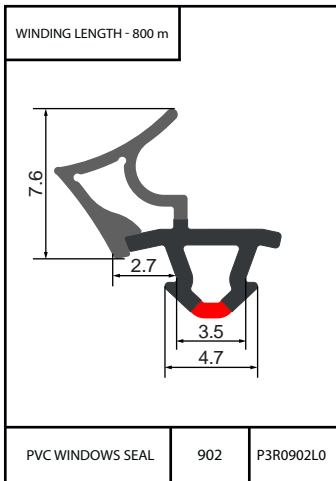
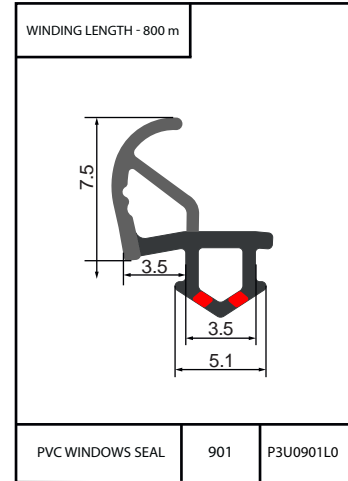
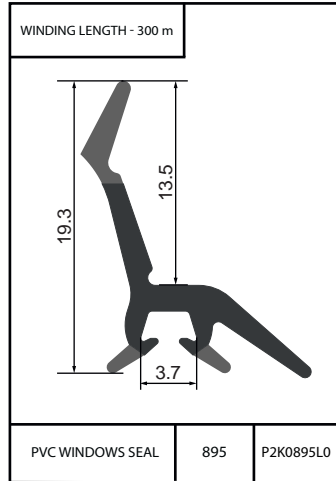
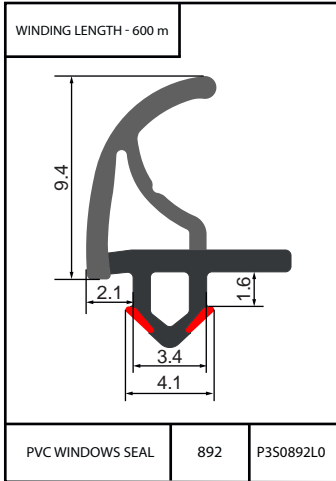


SEALS FOR PVC CONSTRUCTIONS TWO-, THREECOMPONENTS



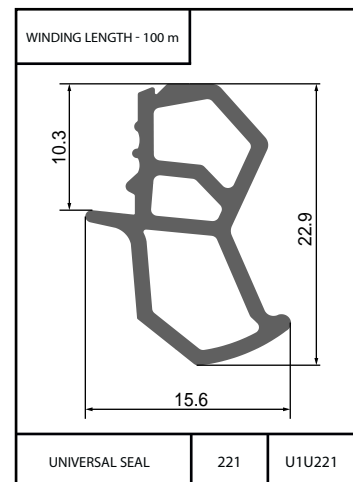
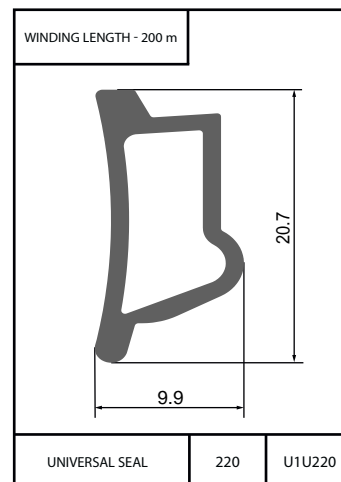
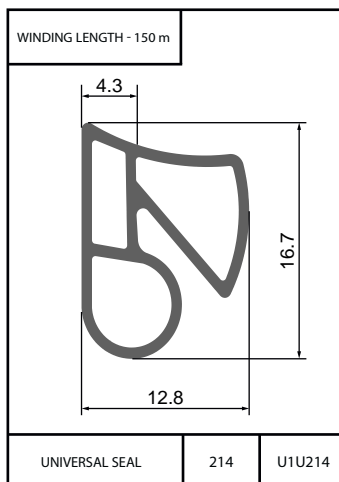
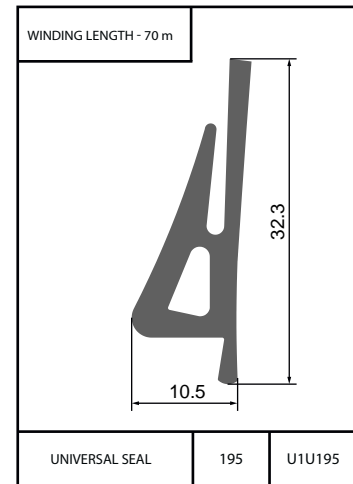
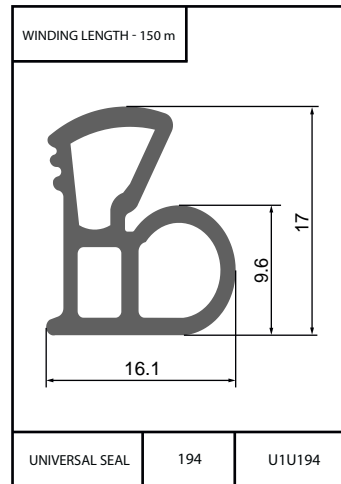
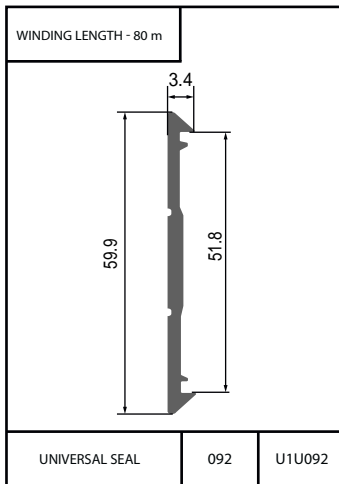
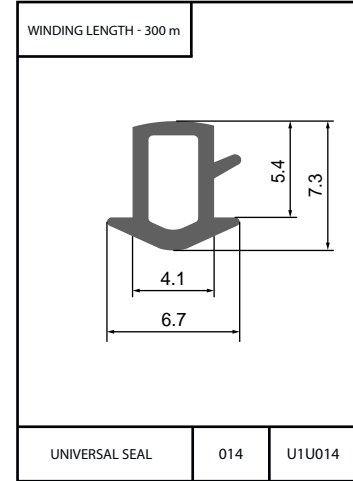
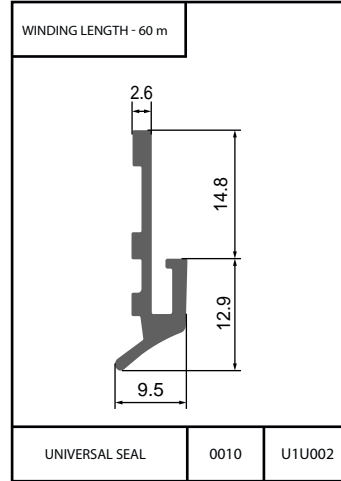
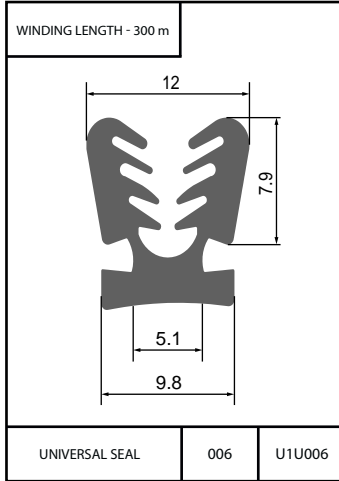


SEALS FOR PVC CONSTRUCTIONS TWO-, THREecomponents



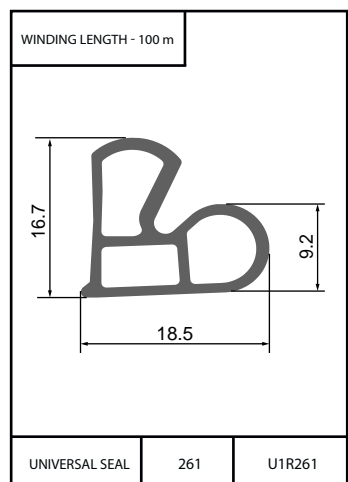
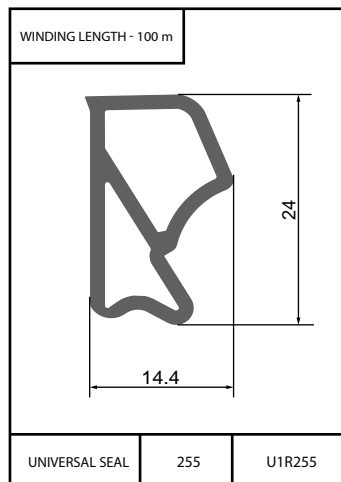
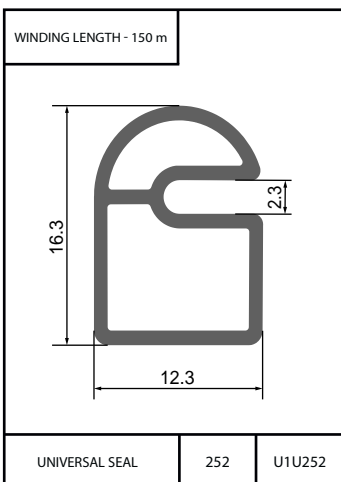
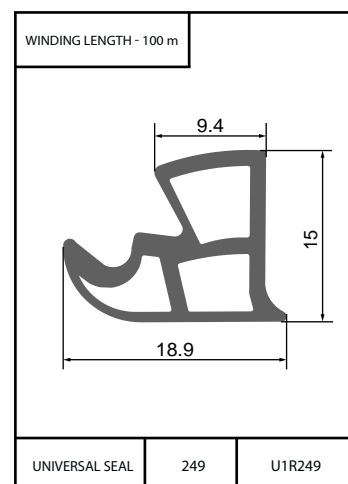
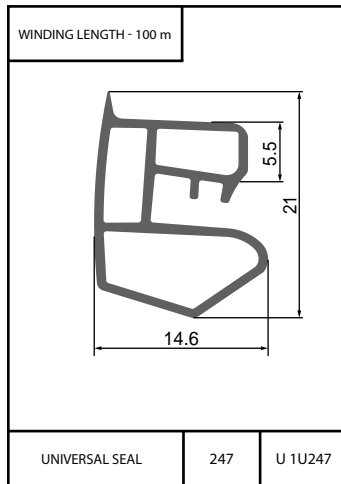
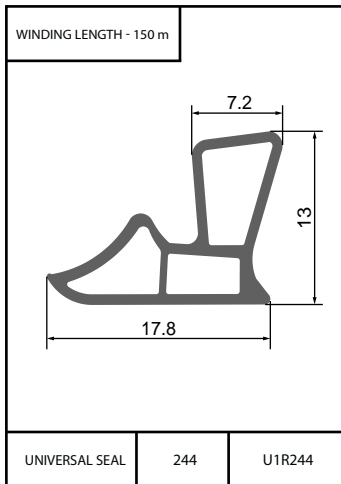
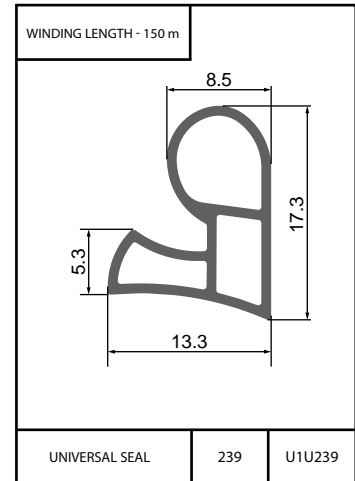
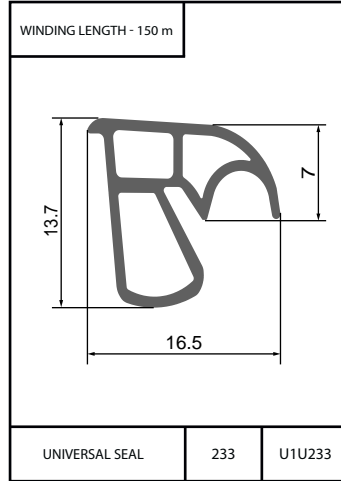
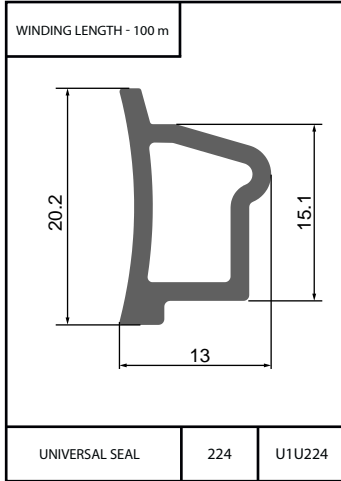


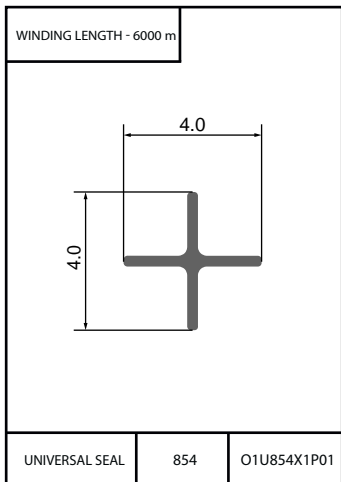
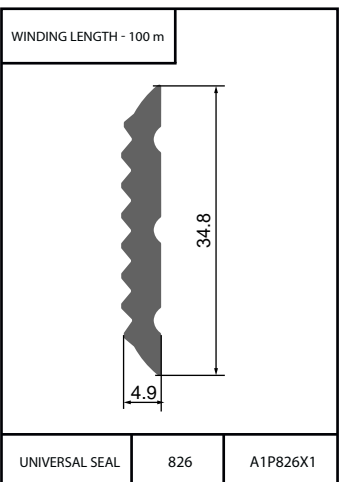
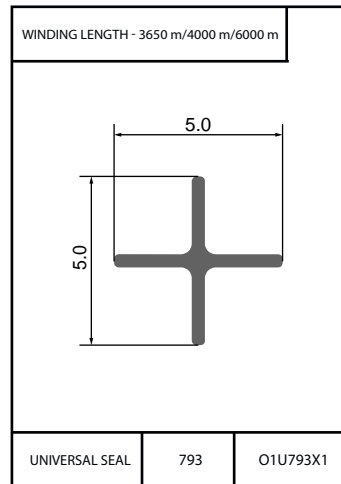
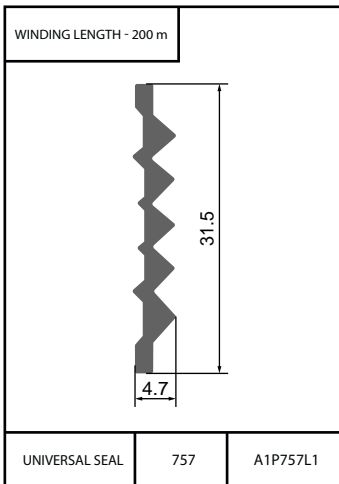
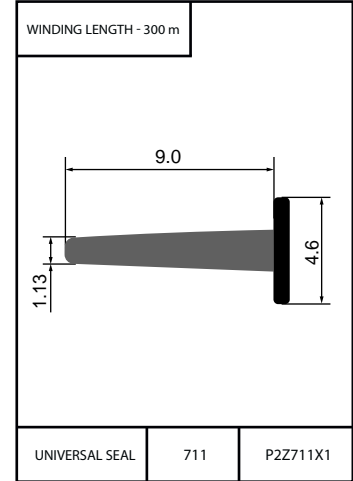
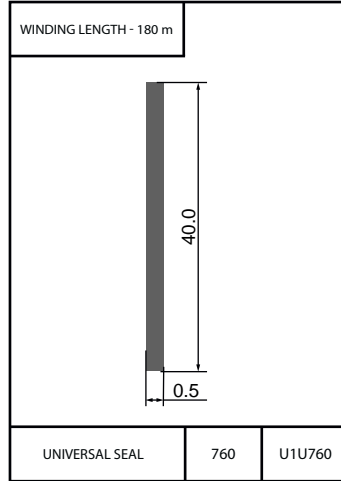
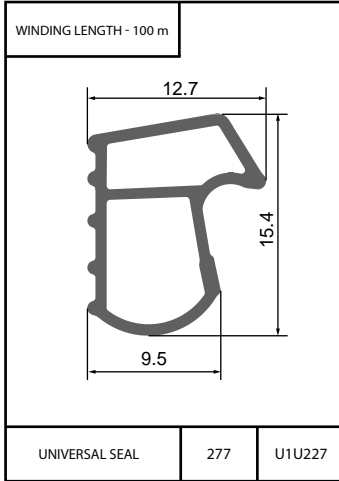
SEALS UNIVERSAL





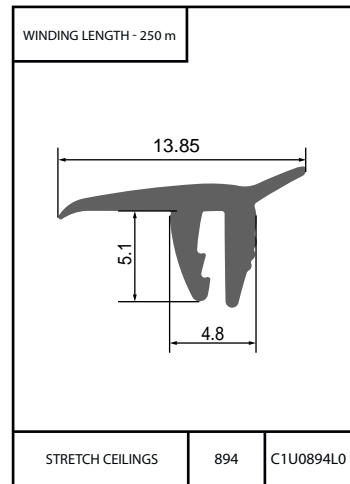
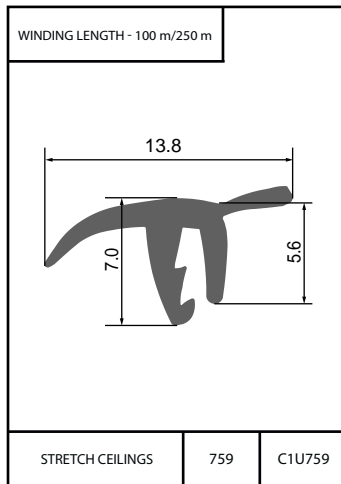
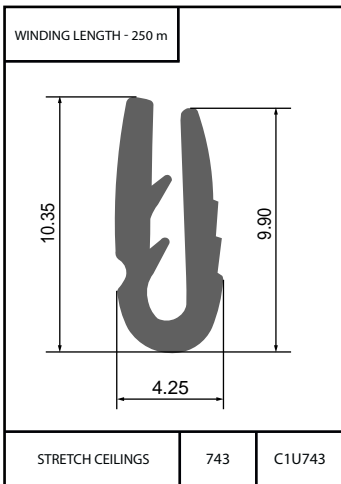
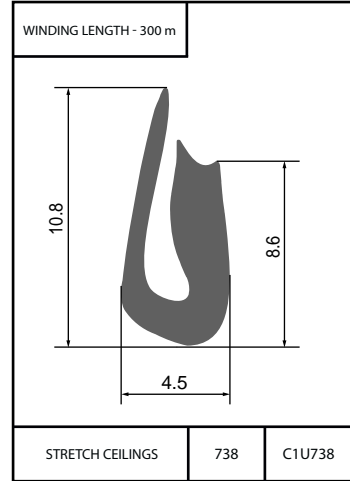
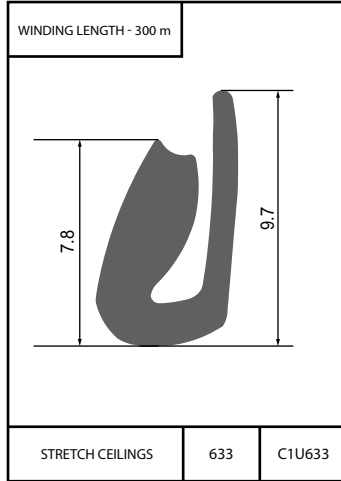
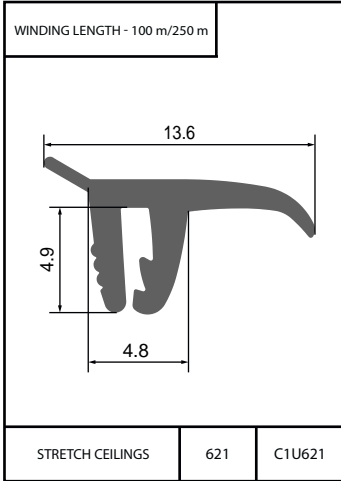
SEALS UNIVERSAL



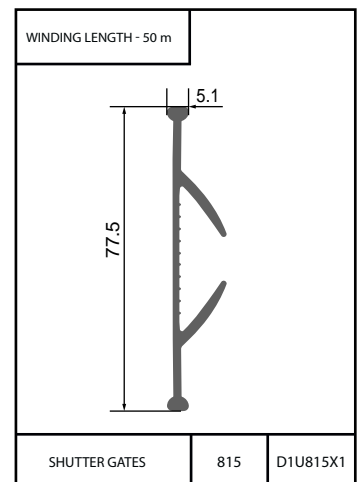
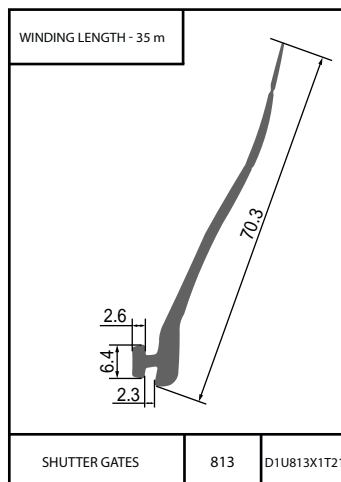
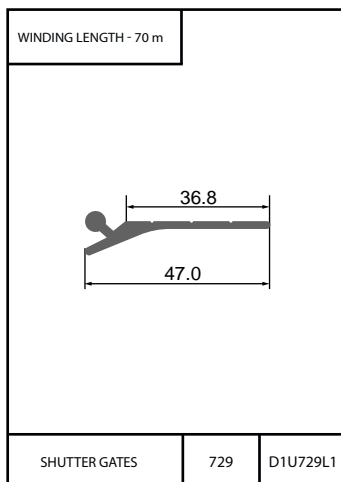
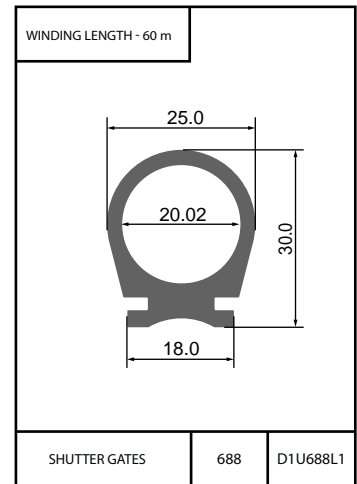
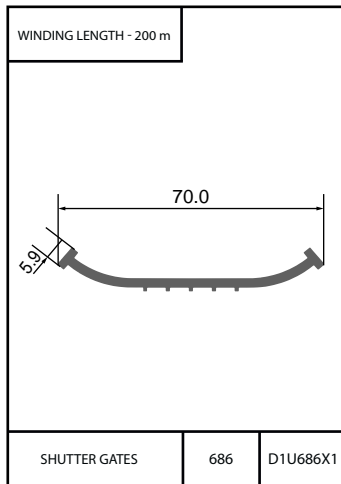
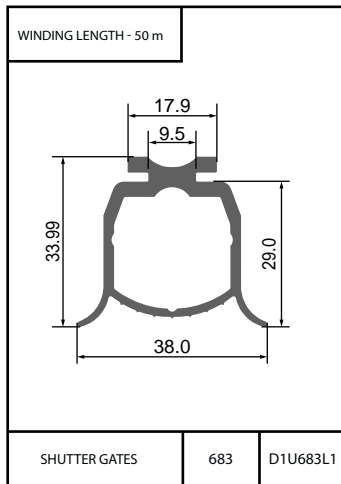
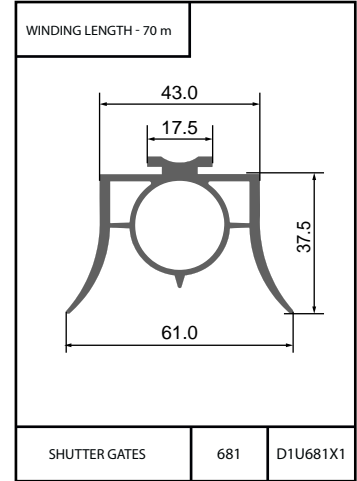
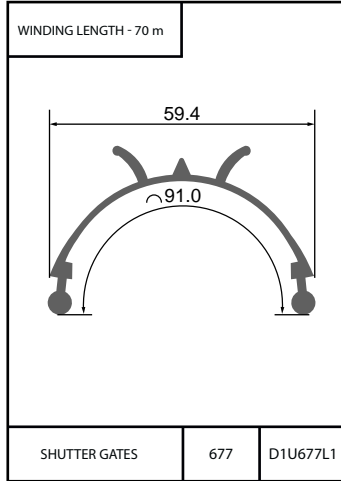
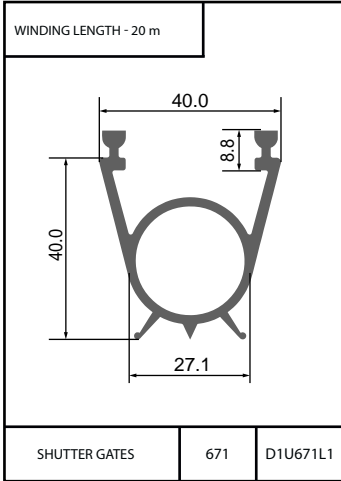




SEALS FOR STRETCH CEILINGS



SEALS FOR SECTIONAL GARAGE DOORS



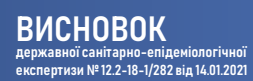
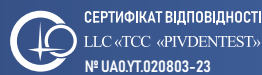


SEALING SOLUTIONS COMPANY

Bohdan Khmelnitsky avenue 139, Dnipro, Ukraine
+38 067 568 47 46

ul. Sielecka 63 (Hala 7), 42-500, Będzin, Poland
+48 518 110 611

www.asterionplast.com



2025 - 2026