



SEALING SOLUTIONS COMPANY

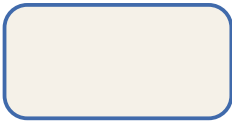


**SEALS
CATALOG 2025 - 2026**

FOR PVC CONSTRUCTIONS

OUR PRODUCTION PLANTS
UKRAINE POLAND

COLORS BY RAL



Pure White
RAL 9010



Light Gray
RAL 7035



Window Gray
RAL 7040



Deep Black
RAL 9005



Clay Brown
RAL 8003



Sepia Brown
RAL 8014



Brown Beige
RAL 1011



Telegrey 1
RAL 7045



Signal Black
RAL 9004



Biege Brown
RAL 8024



Biege
RAL 1001



Umbra Grey
RAL 7022



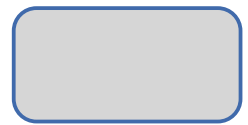
Light Ivory
RAL 1015



Graphite Grey
RAL 7024



Ivory
RAL 1014



Papyrus White
RAL 9018



Telegrey 4
RAL 7047



Terra Brown
RAL 8028



Sand Yellow
RAL 1002



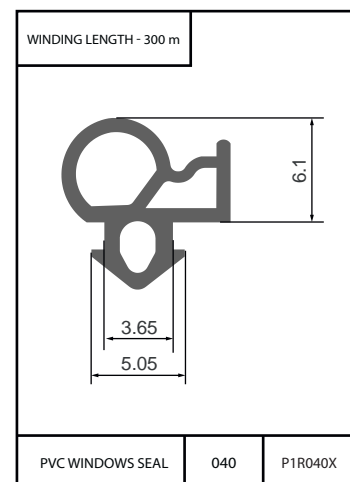
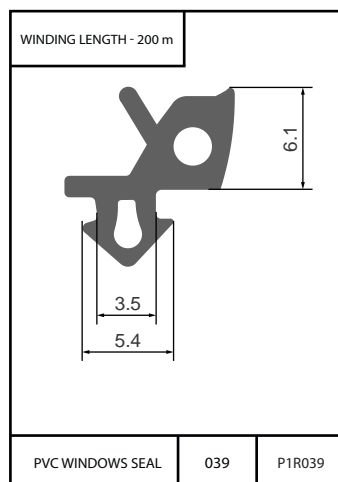
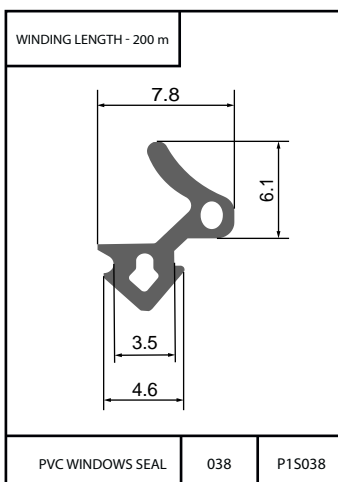
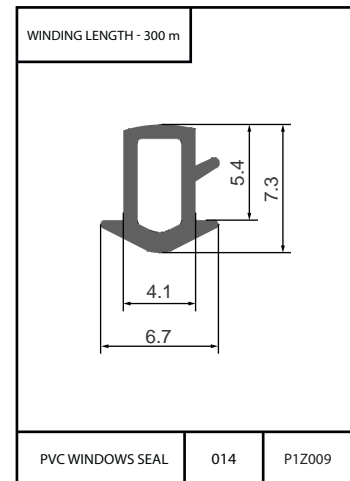
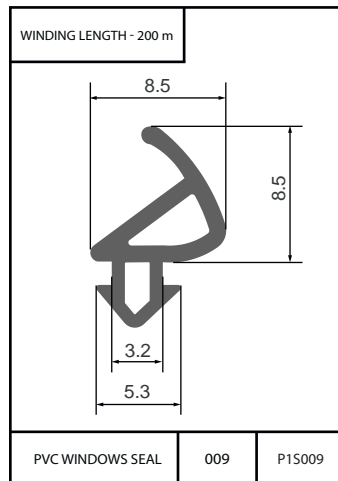
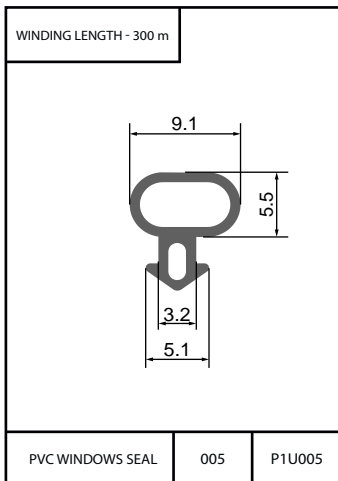
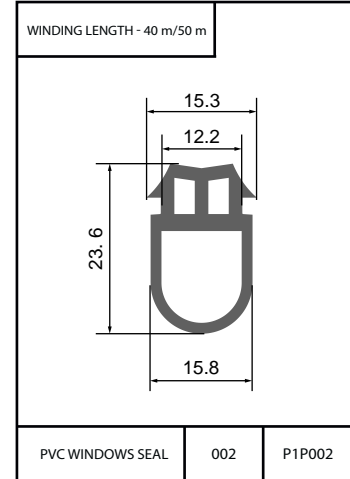
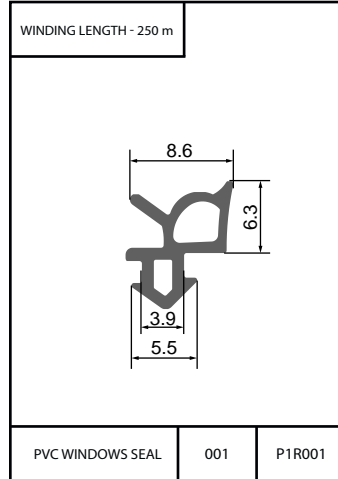
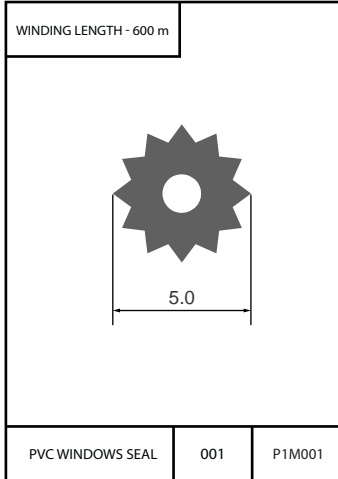
Chocolate Brown
RAL 8017



Colorless
Transparent

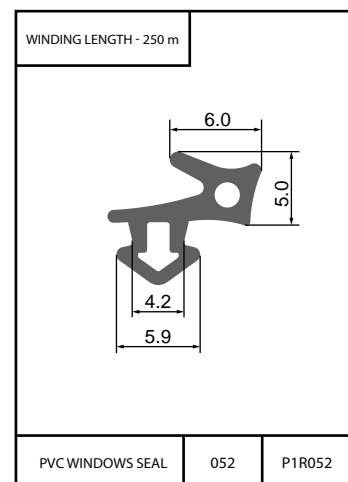
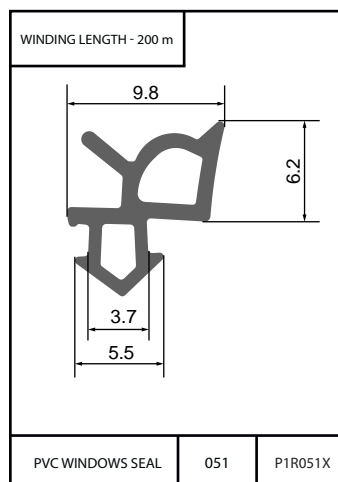
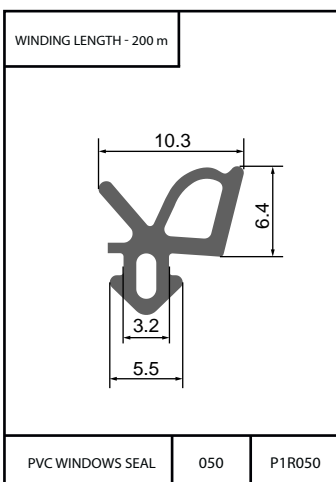
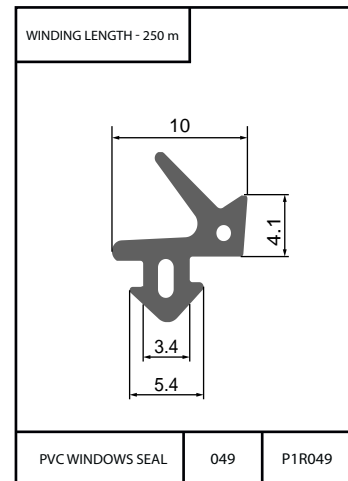
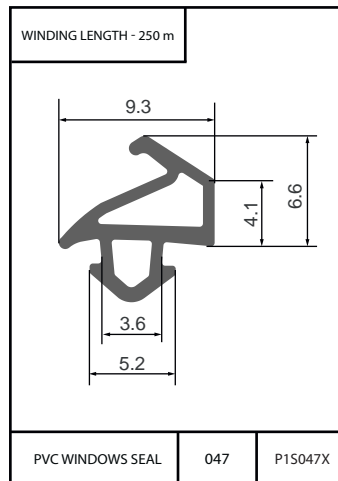
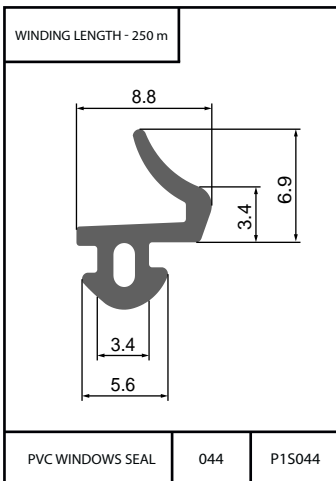
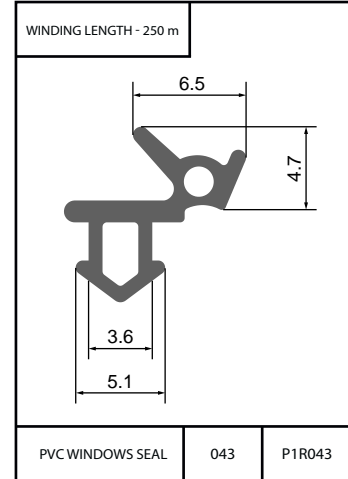
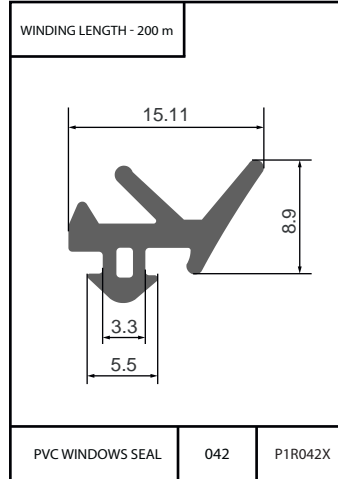
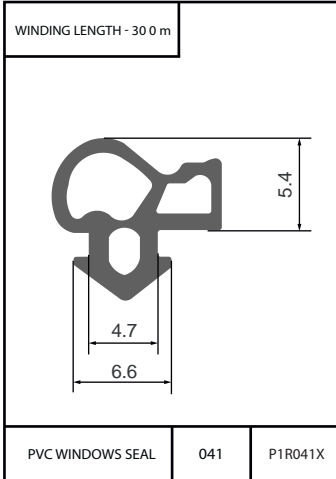


SEALS FOR PVC CONSTRUCTIONS ONE-COMPONENT



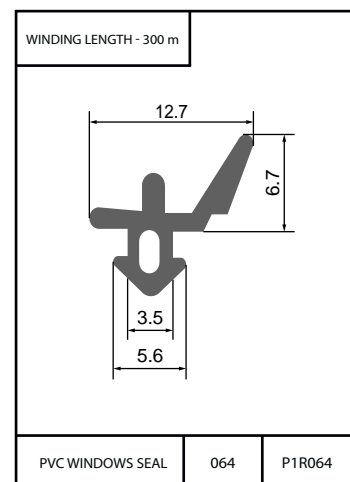
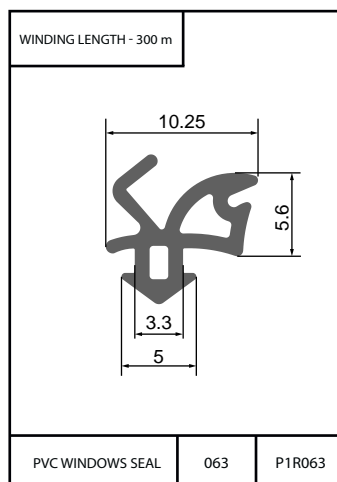
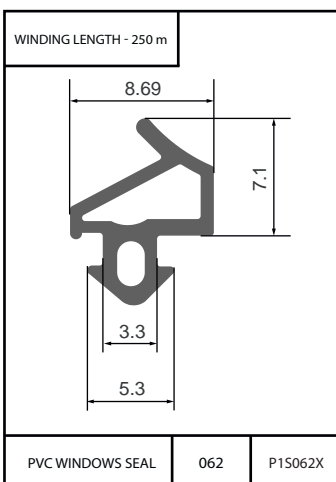
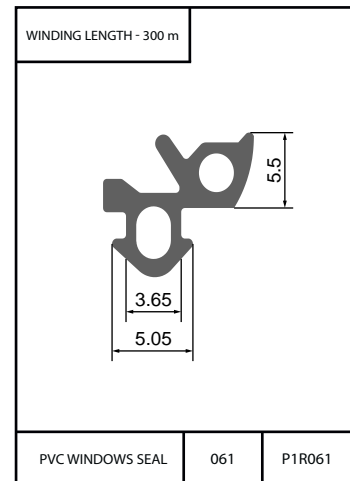
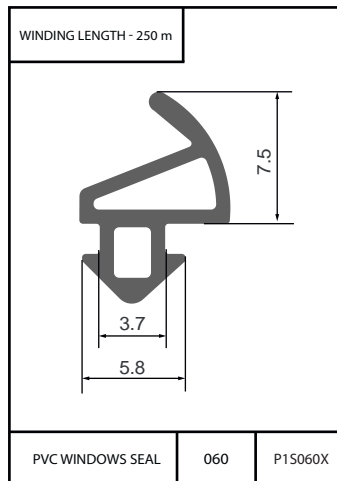
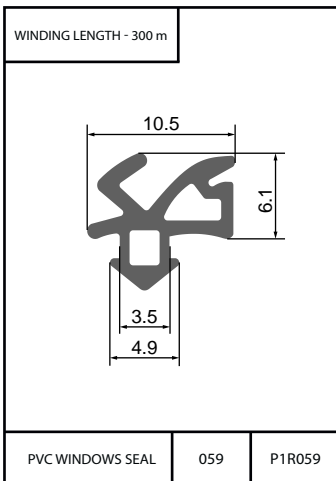
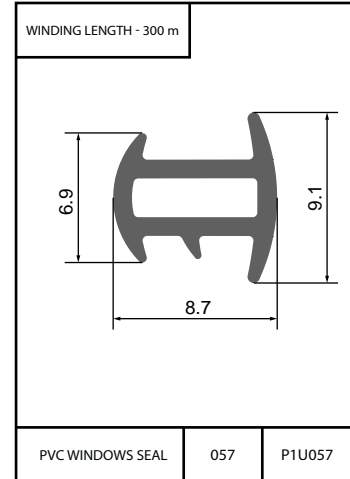
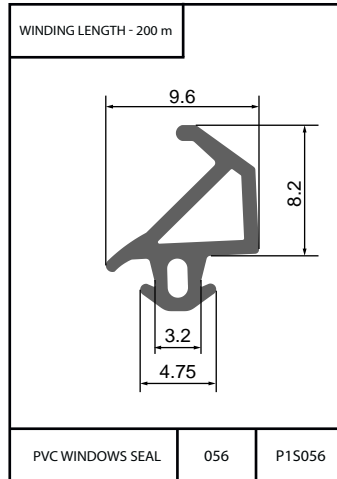
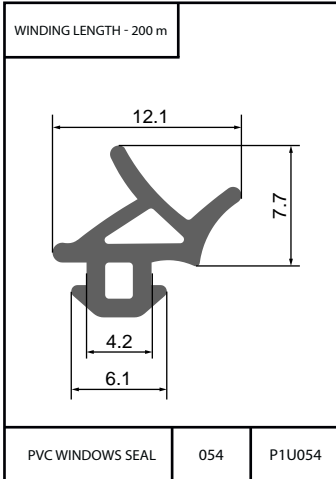


SEALS FOR PVC CONSTRUCTIONS ONE-COMPONENT



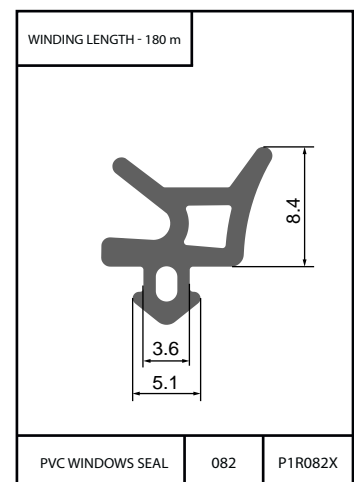
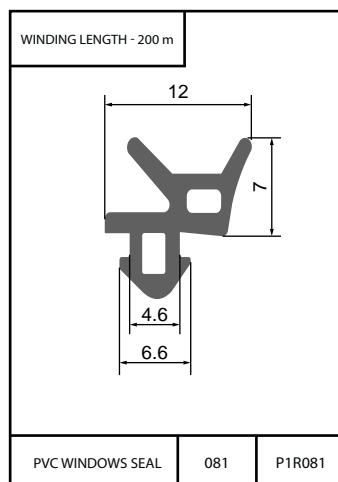
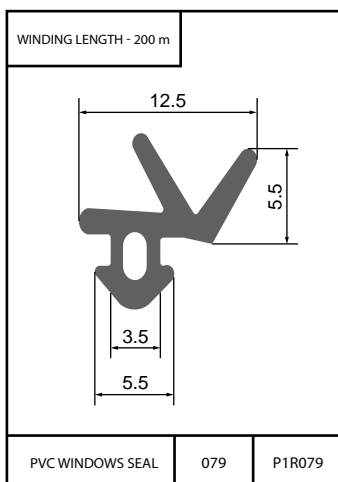
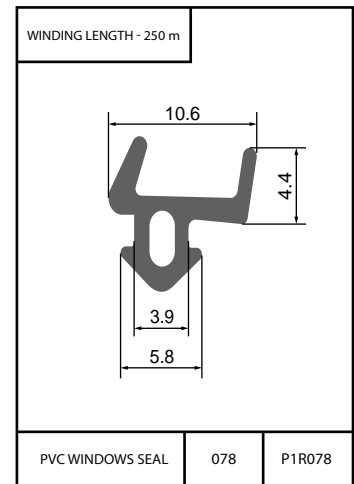
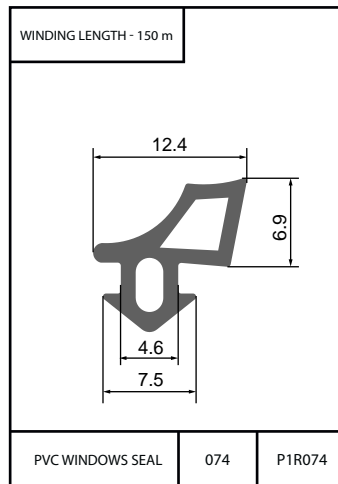
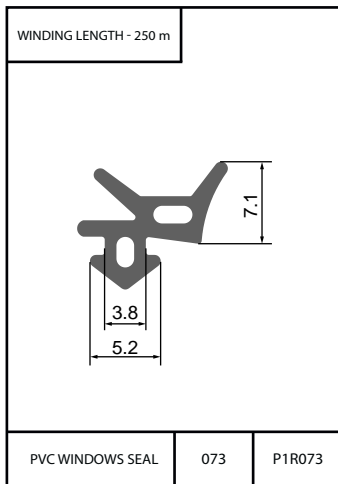
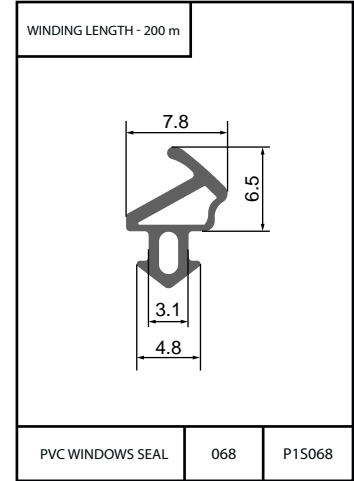
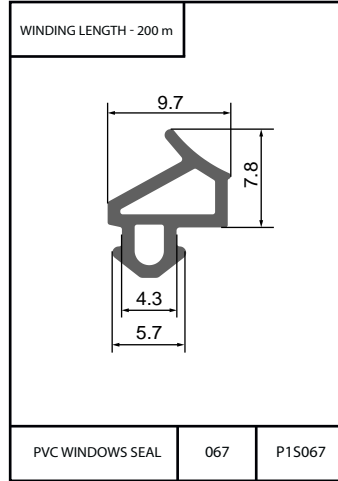
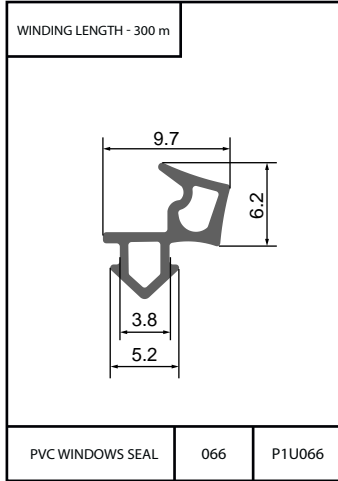


SEALS FOR PVC CONSTRUCTIONS ONE-COMPONENT



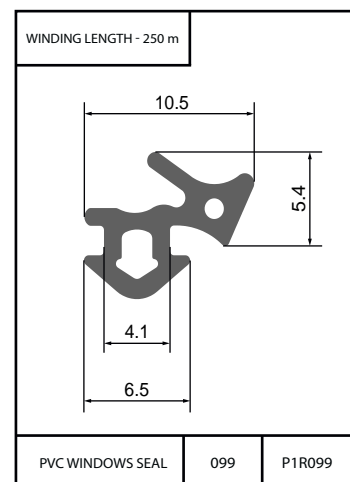
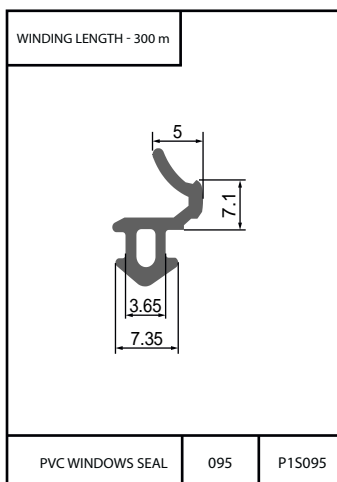
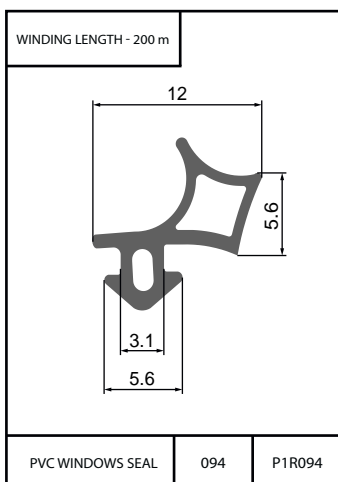
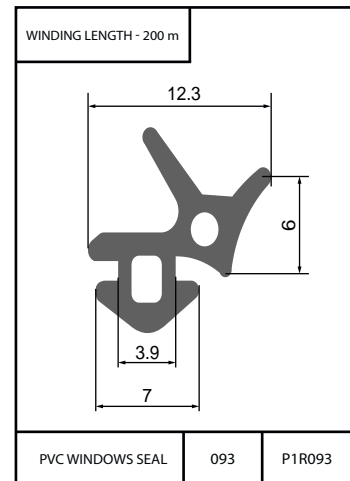
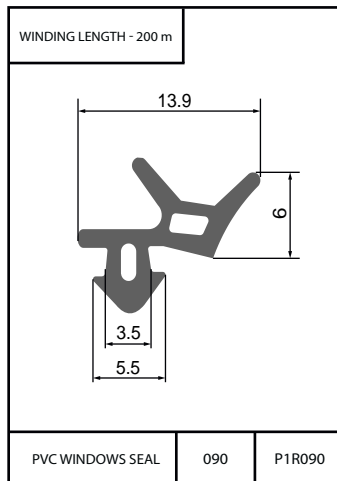
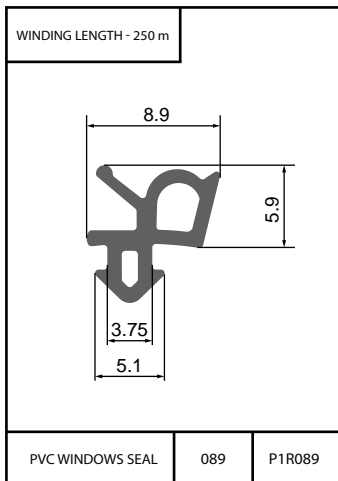
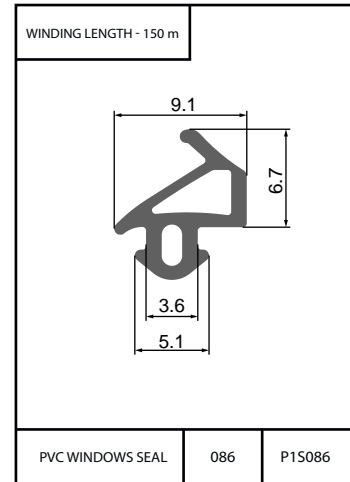
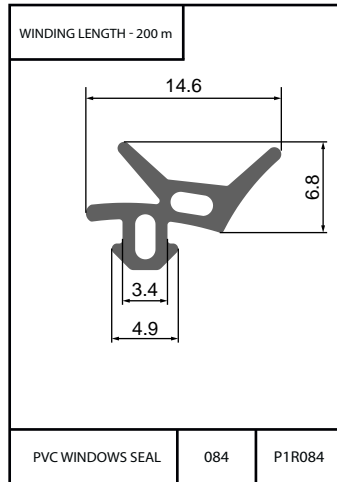
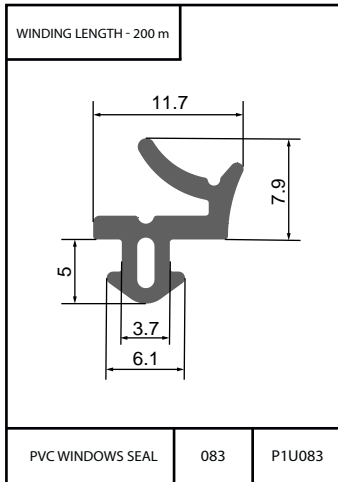


SEALS FOR PVC CONSTRUCTIONS ONE-COMPONENT

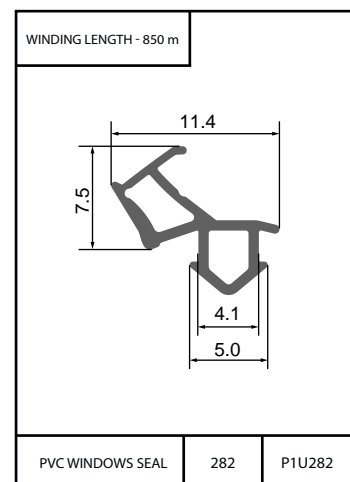
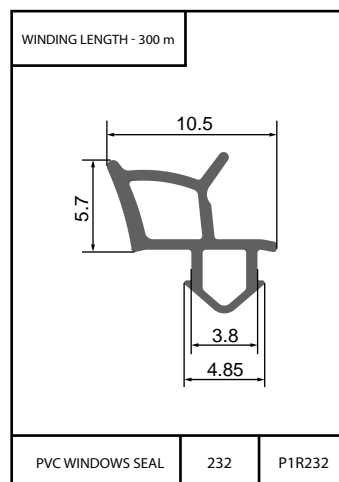
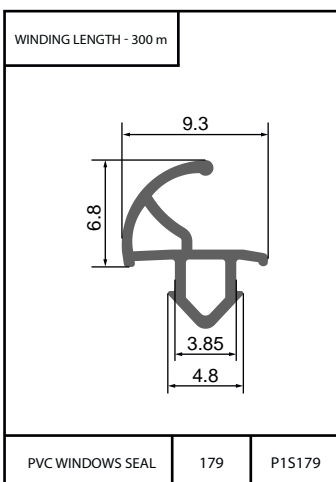
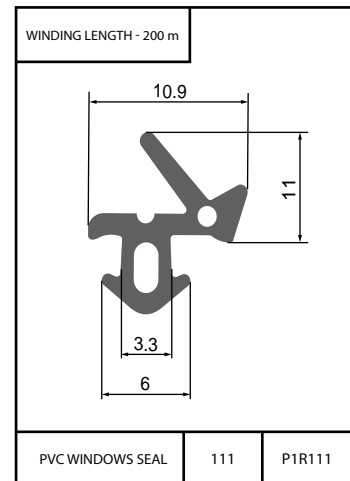
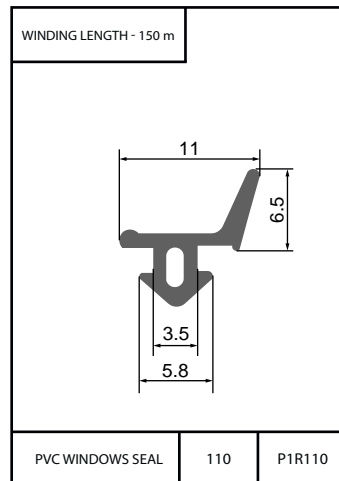
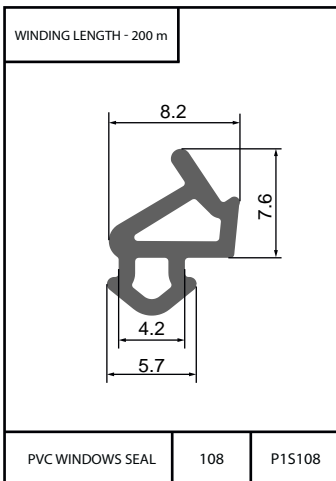
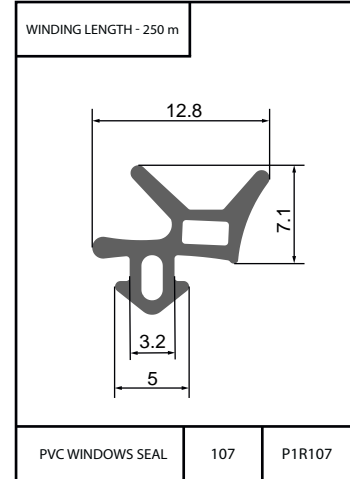
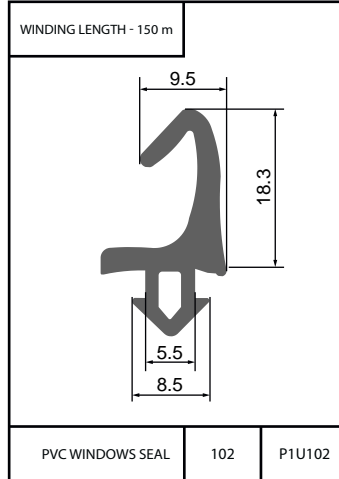
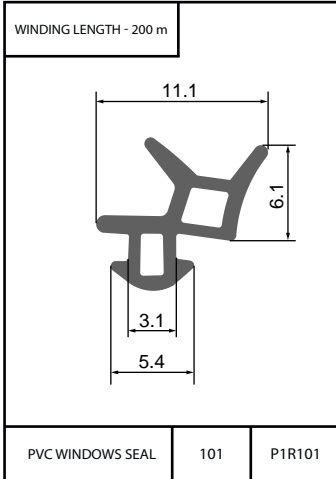




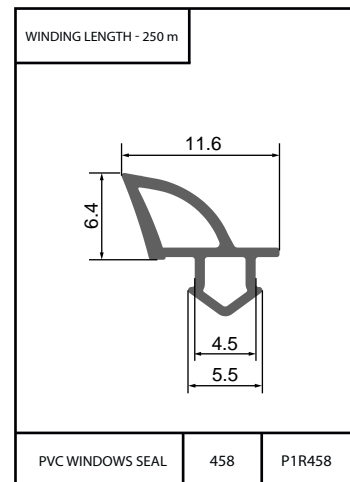
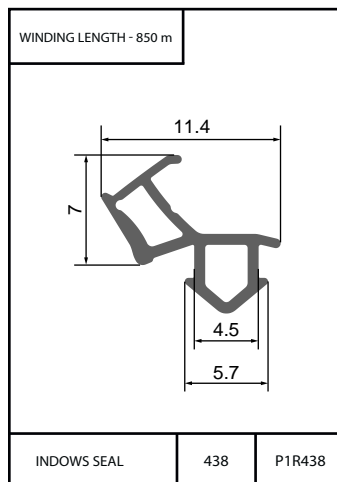
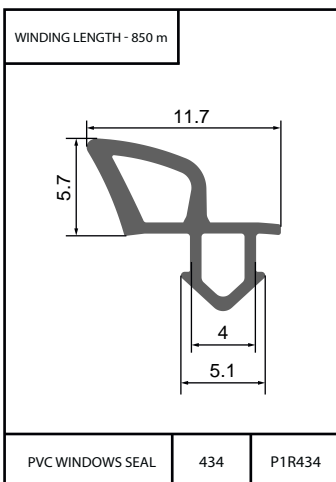
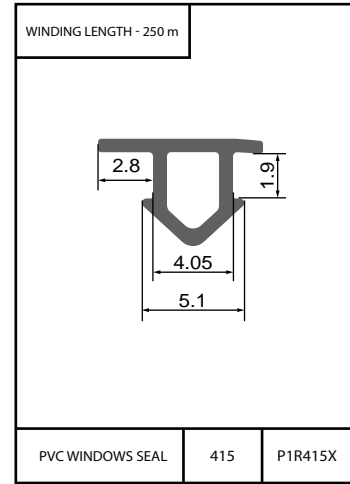
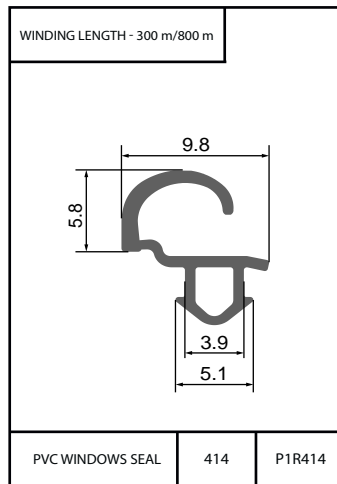
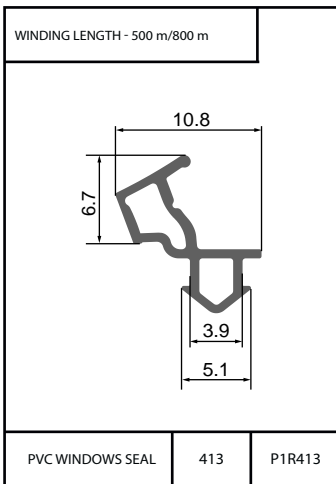
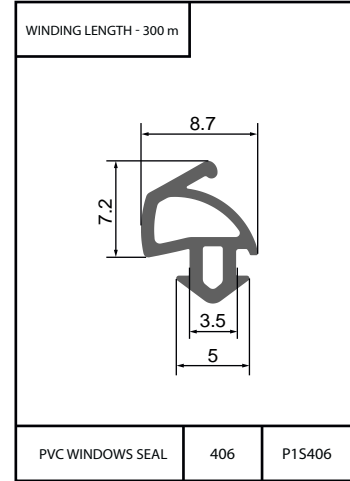
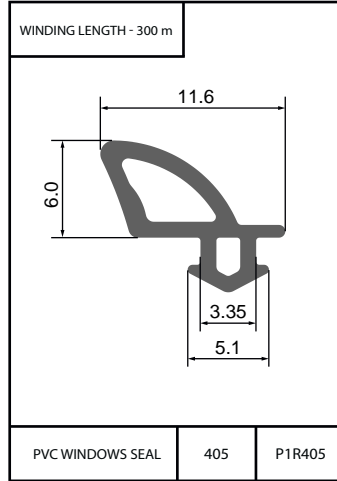
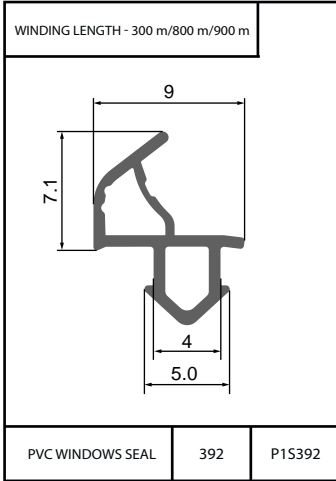
SEALS FOR PVC CONSTRUCTIONS ONE-COMPONENT



SEALS FOR PVC CONSTRUCTIONS ONE-COMPONENT

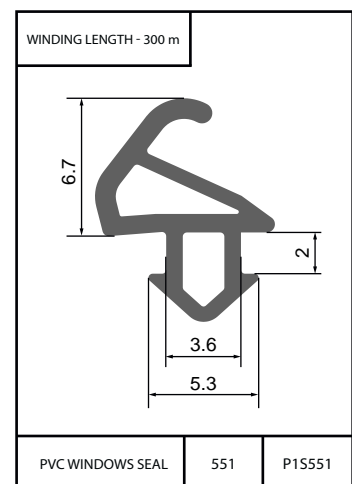
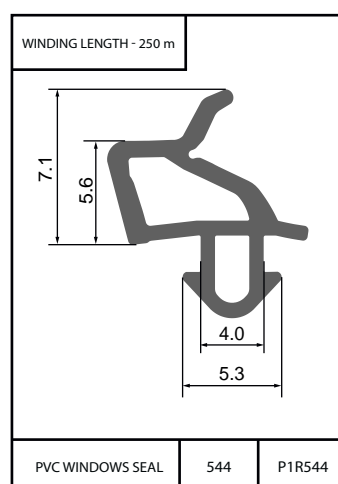
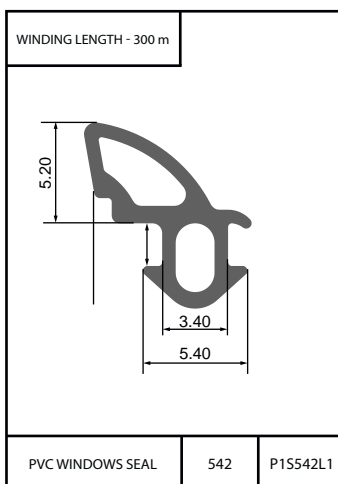
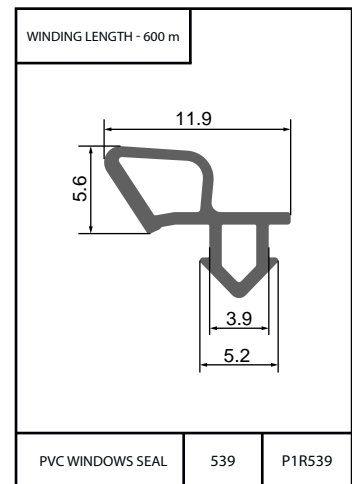
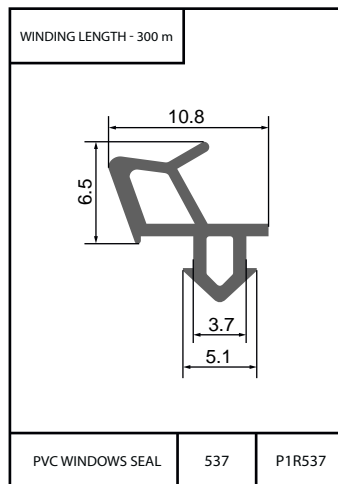
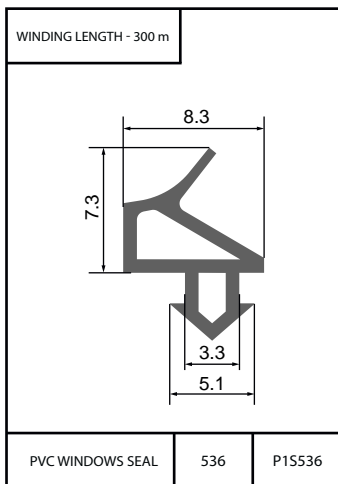
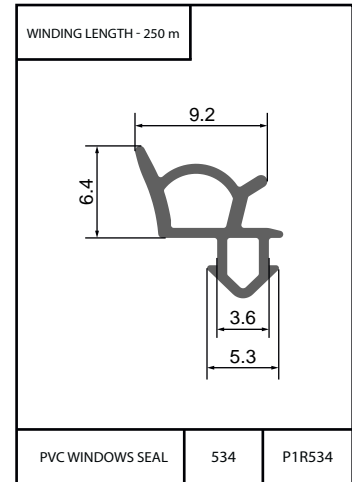
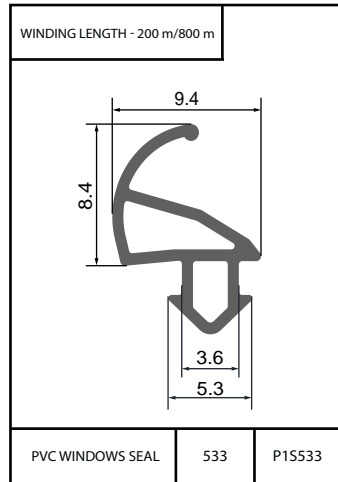
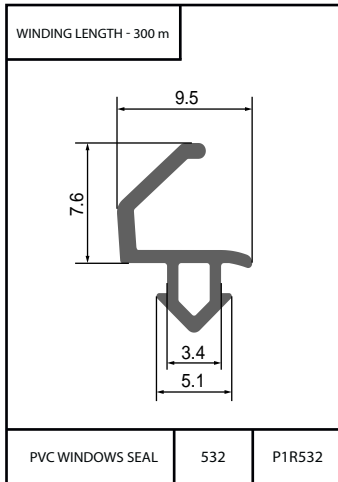


SEALS FOR PVC CONSTRUCTIONS ONE-COMPONENT



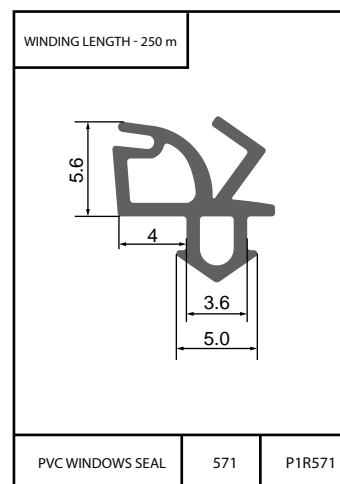
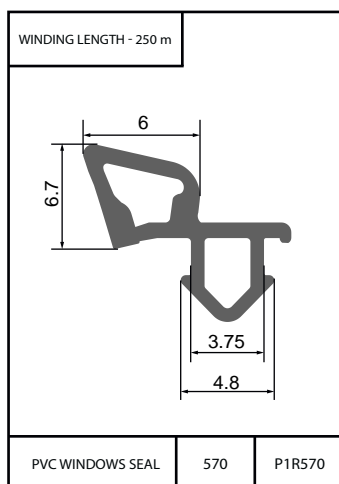
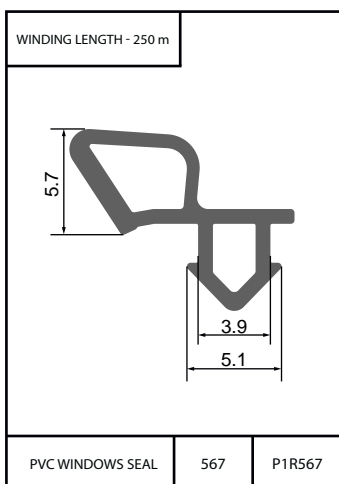
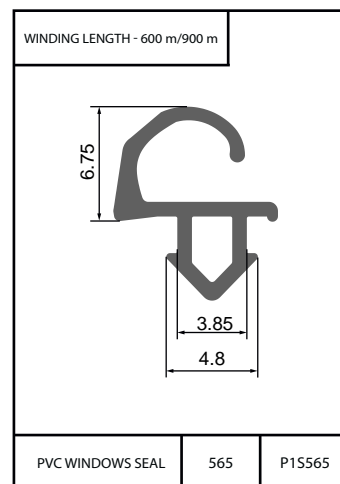
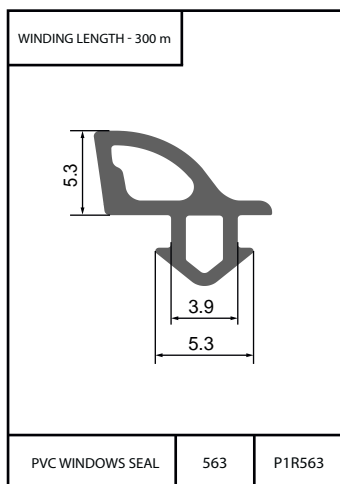
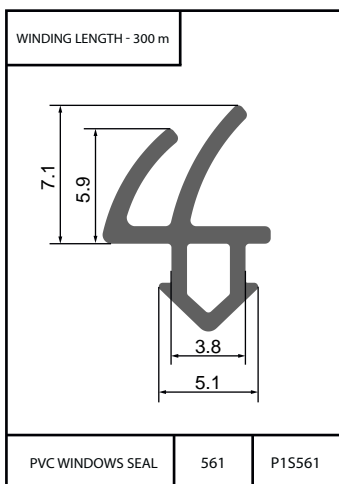
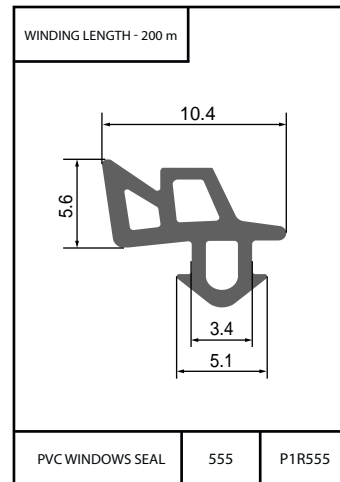
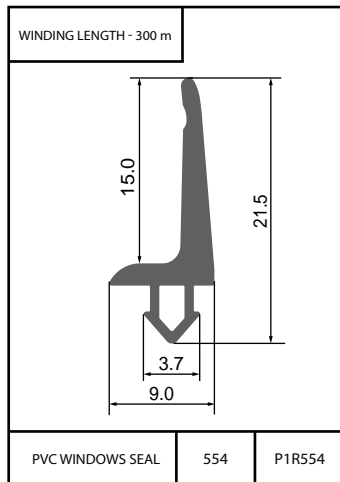
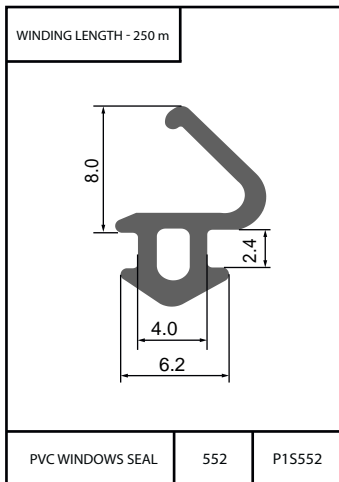


SEALS FOR PVC CONSTRUCTIONS ONE-COMPONENT



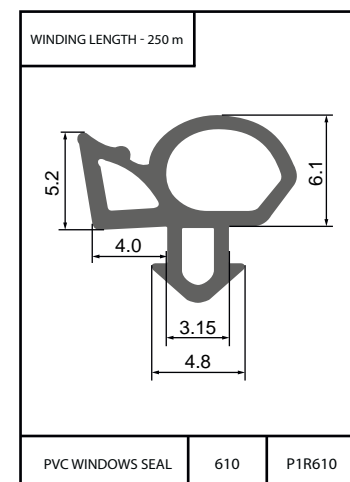
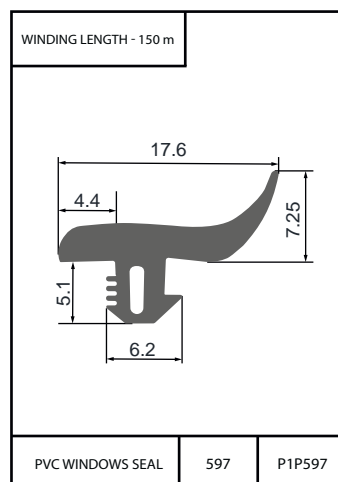
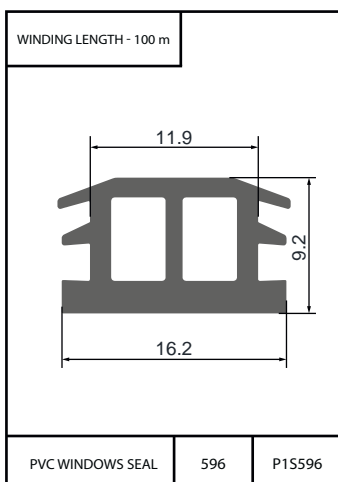
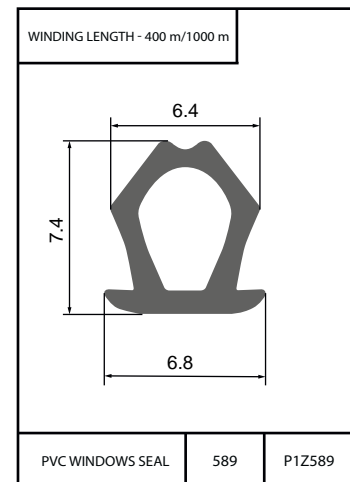
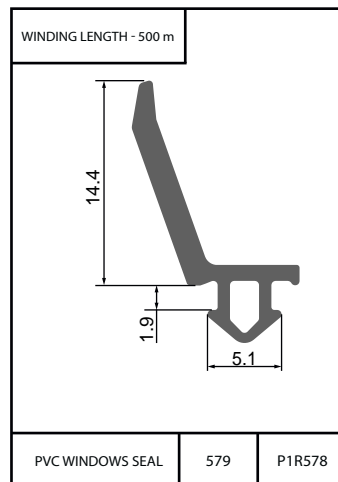
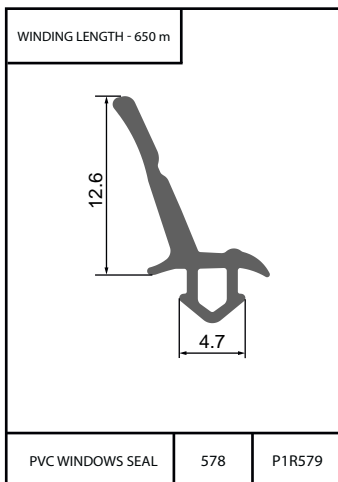
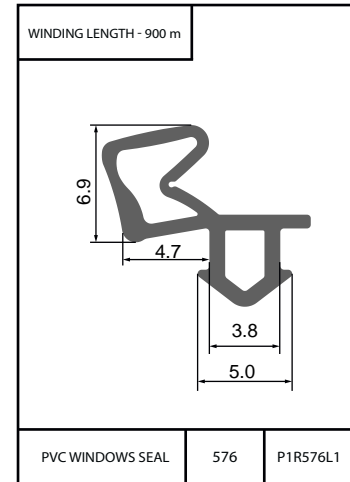
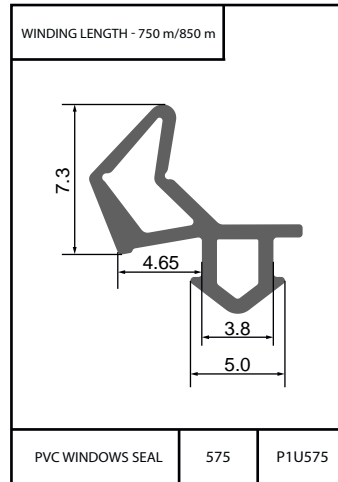
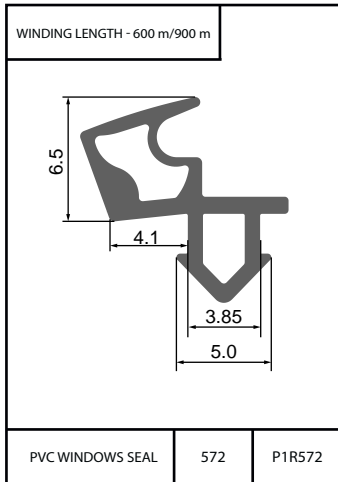


SEALS FOR PVC CONSTRUCTIONS ONE-COMPONENT

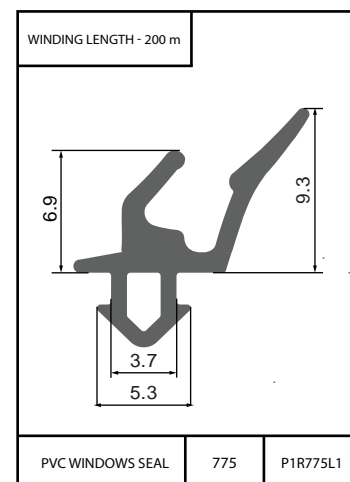
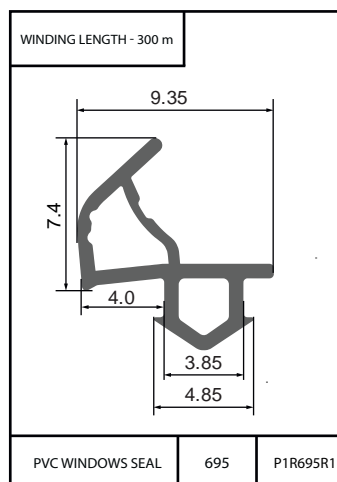
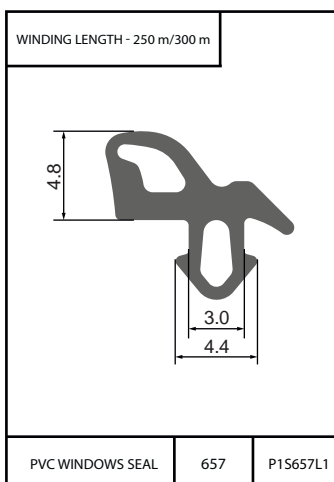
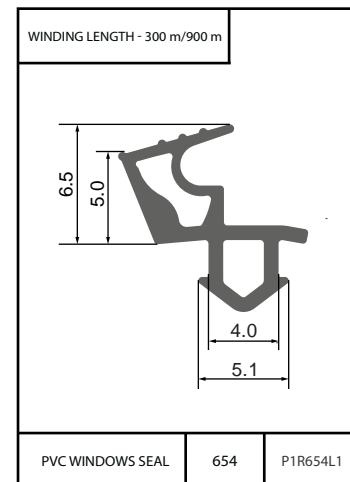
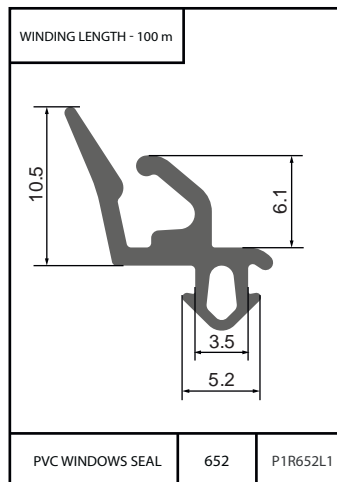
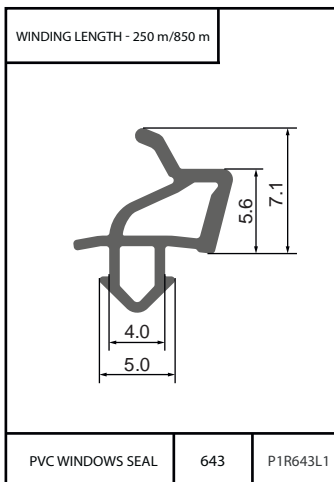
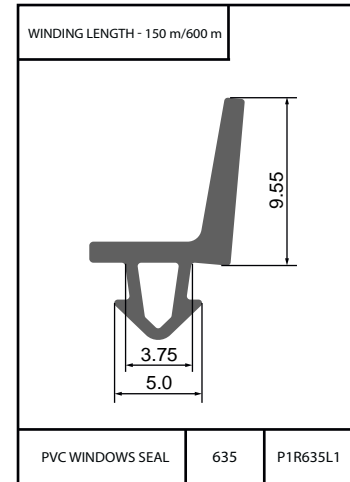
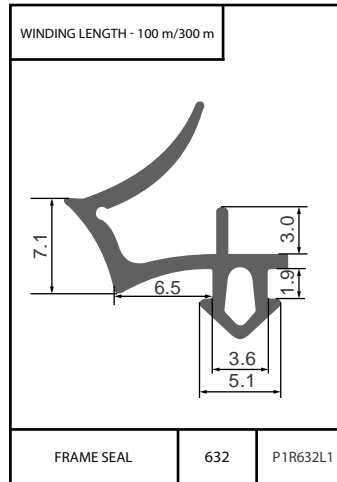
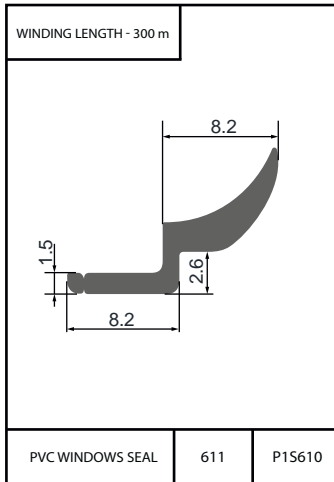




SEALS FOR PVC CONSTRUCTIONS ONE-COMPONENT

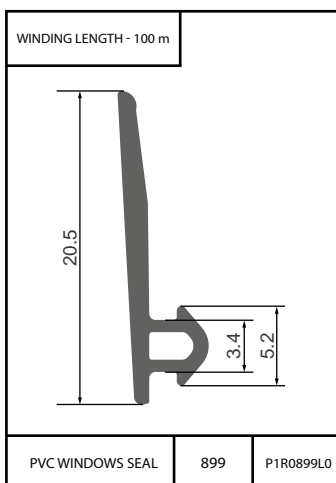
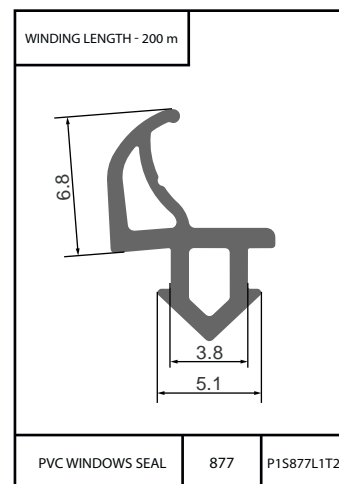
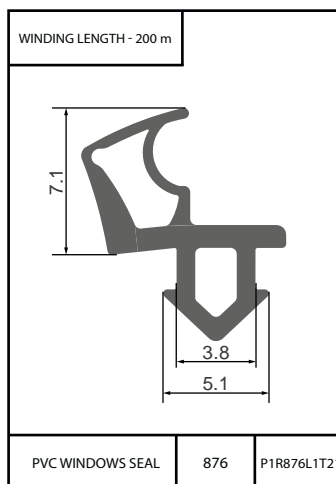
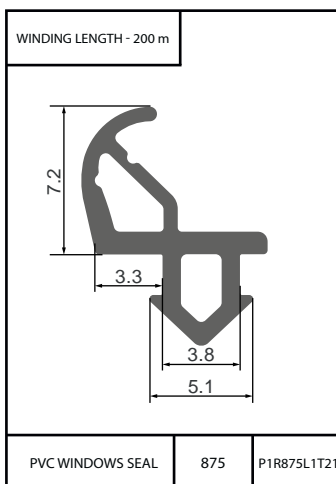
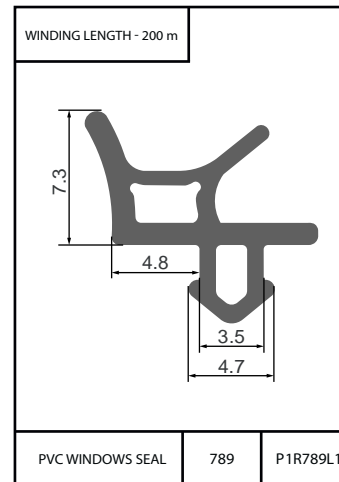
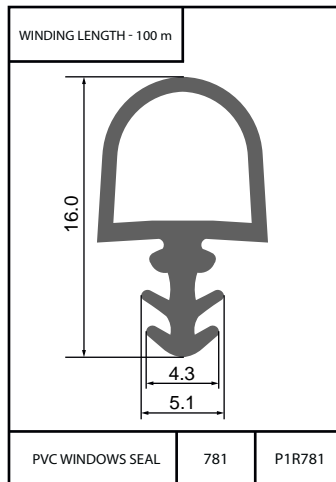
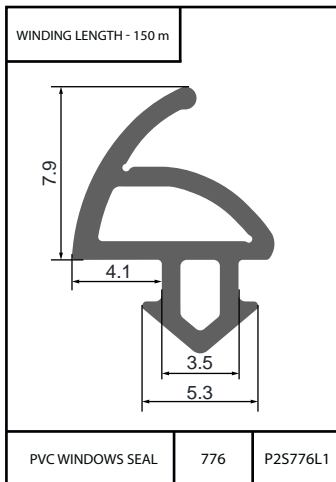


SEALS FOR PVC CONSTRUCTIONS ONE-COMPONENT



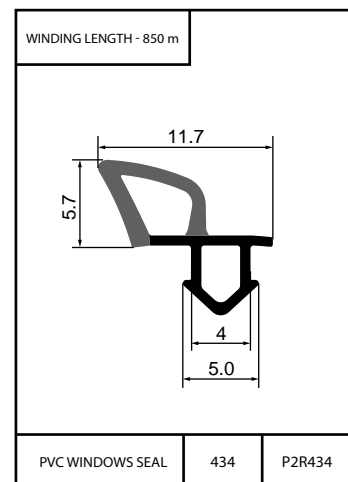
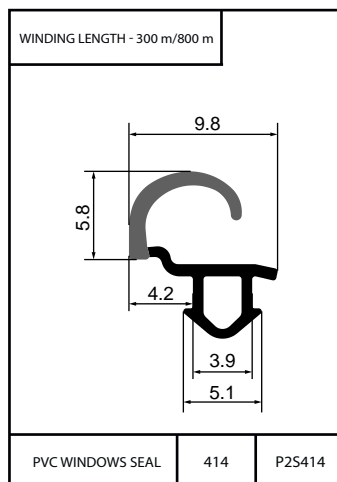
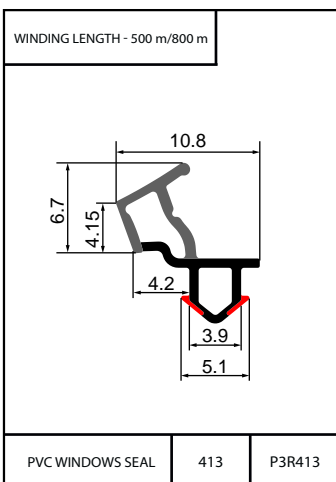
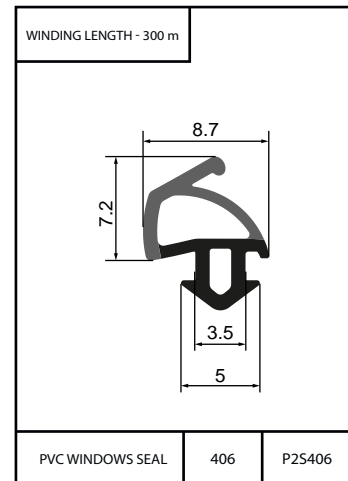
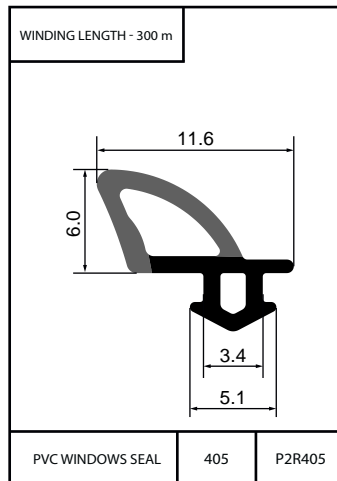
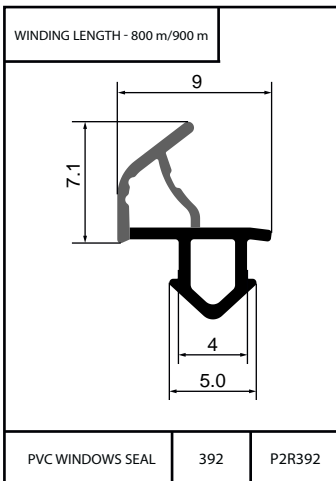
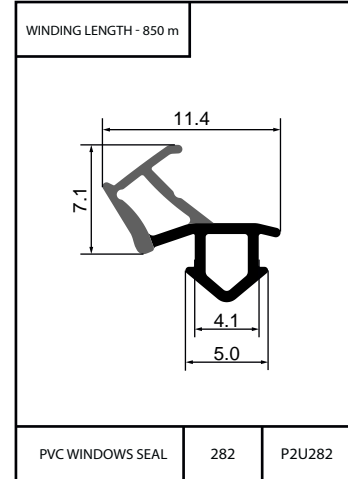
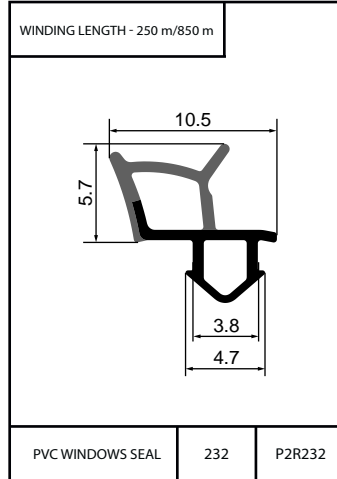
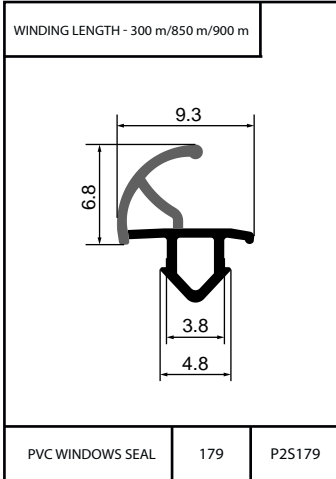


SEALS FOR PVC CONSTRUCTIONS ONE-COMPONENT



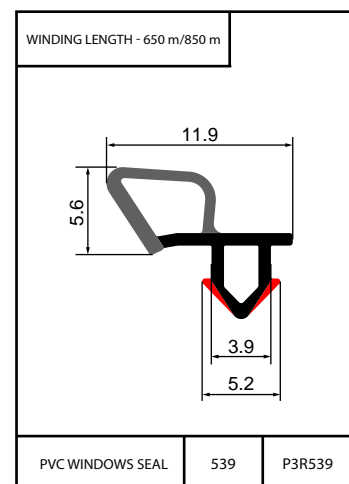
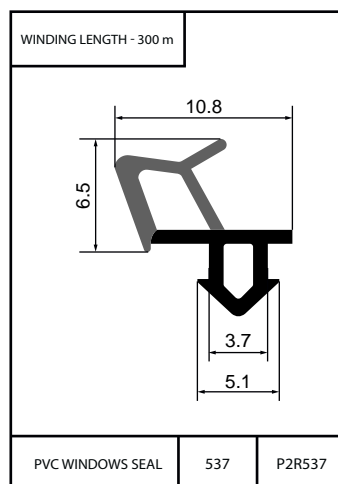
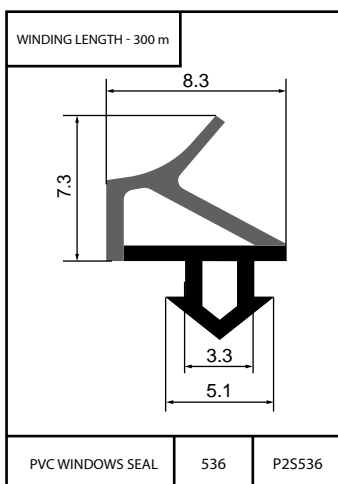
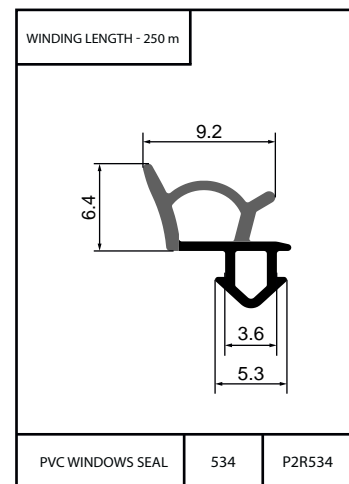
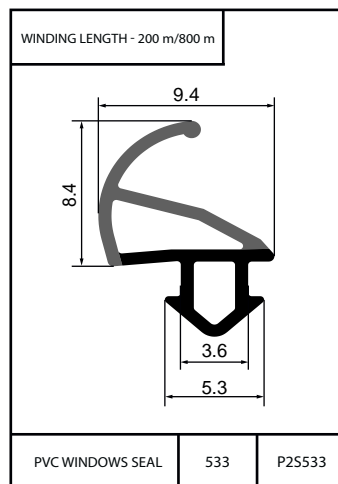
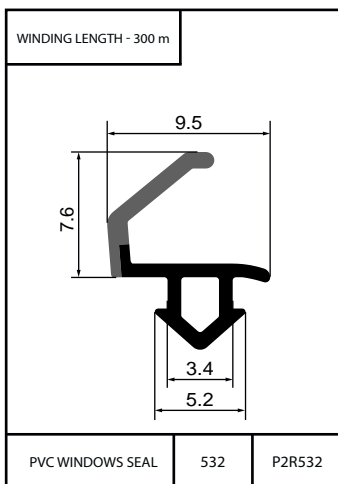
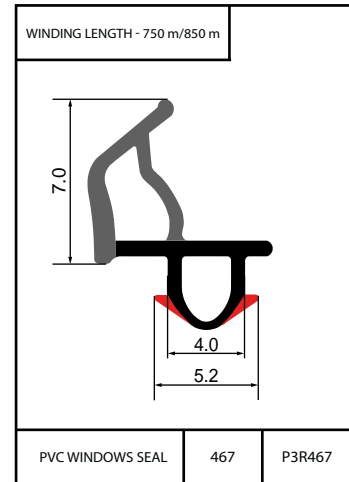
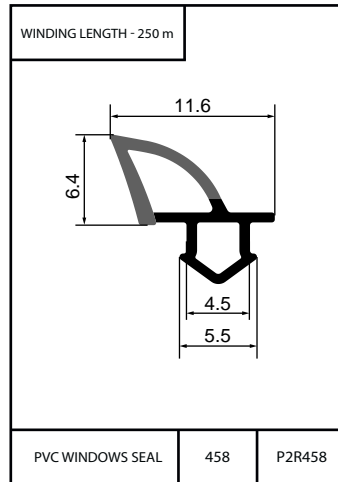
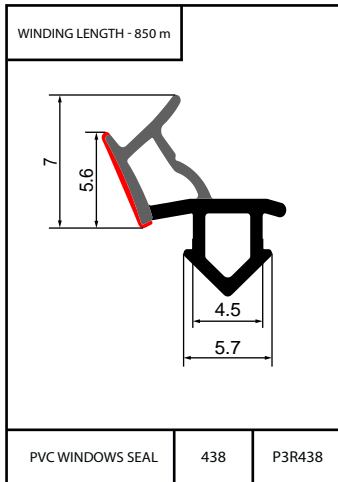


SEALS FOR PVC CONSTRUCTIONS TWO-, THREecomponents

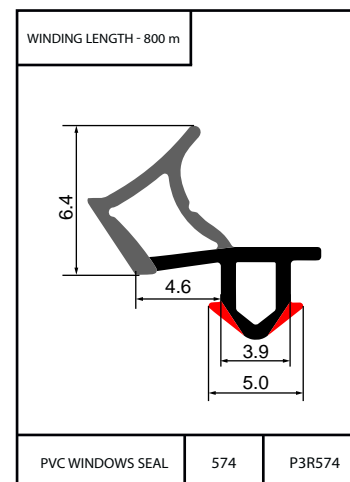
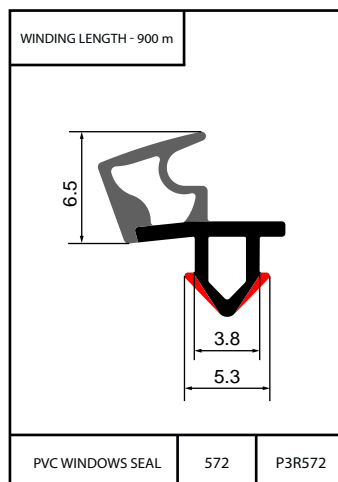
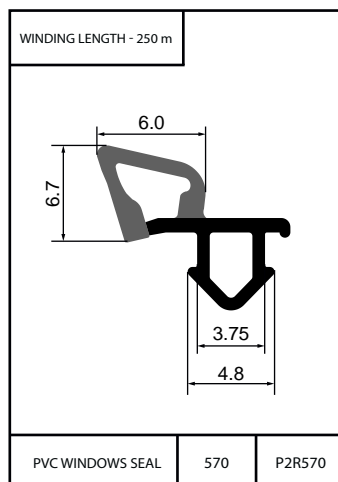
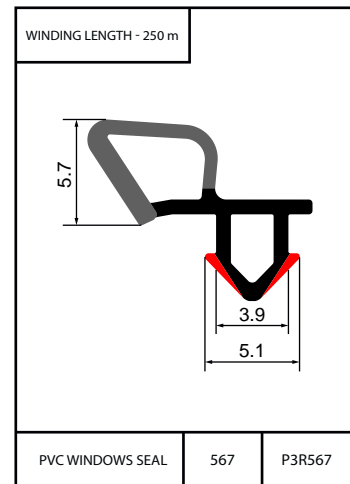
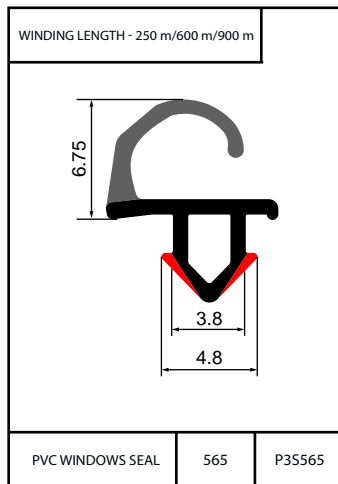
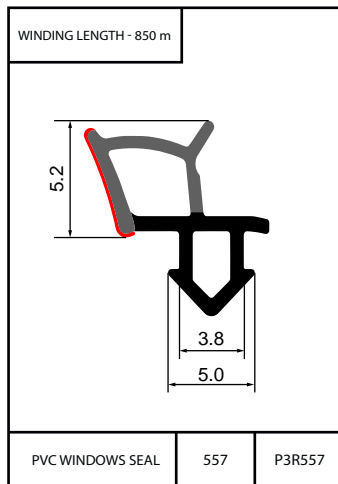
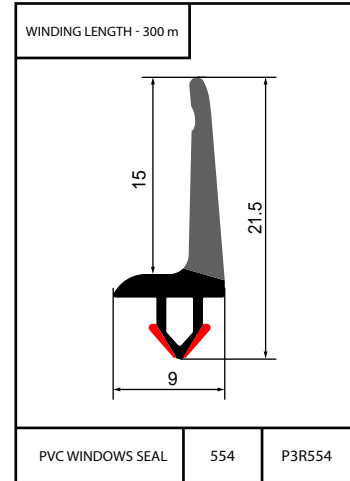
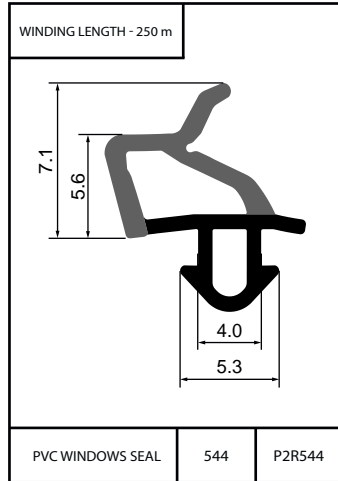
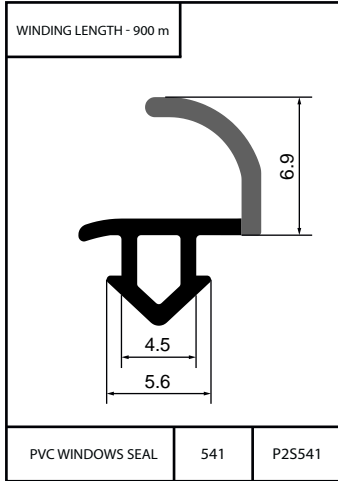




SEALS FOR PVC CONSTRUCTIONS TWO-, THREECOMPONENTS

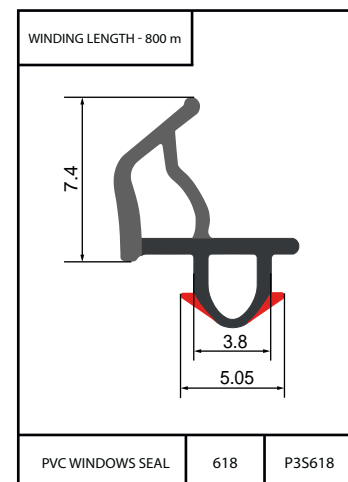
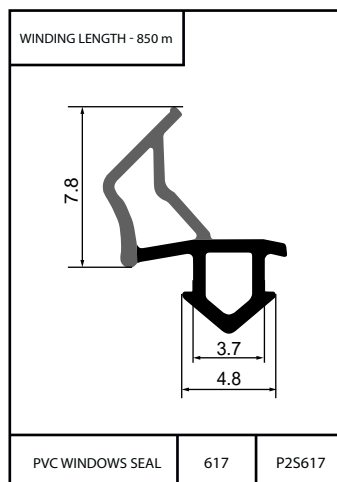
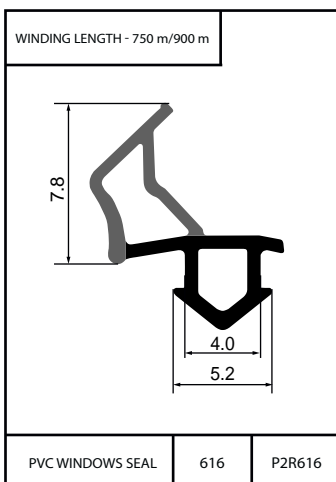
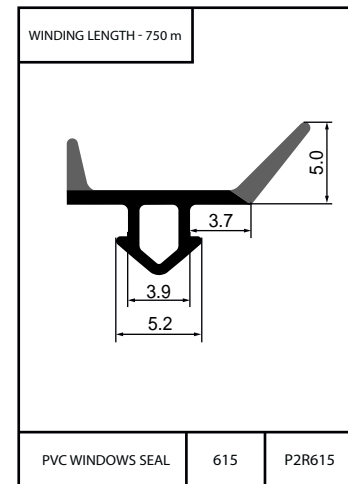
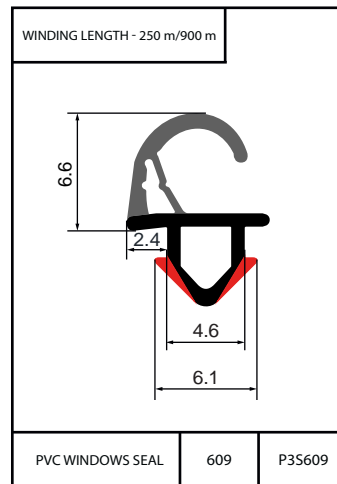
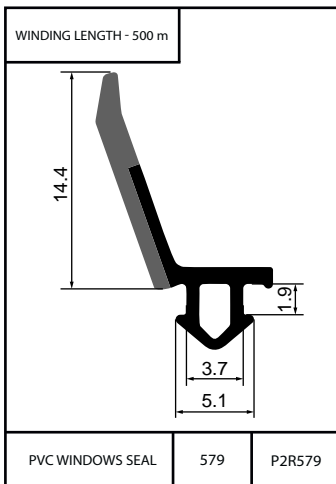
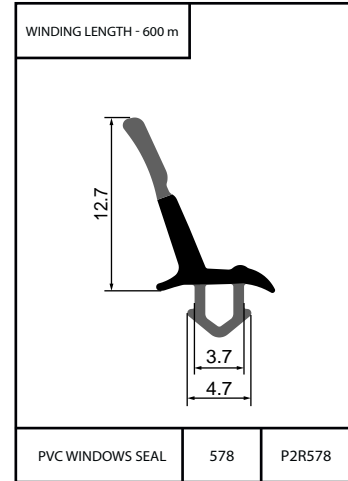
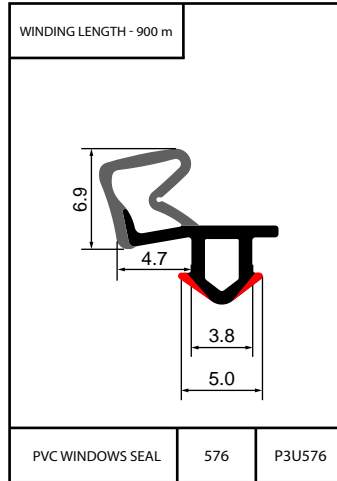
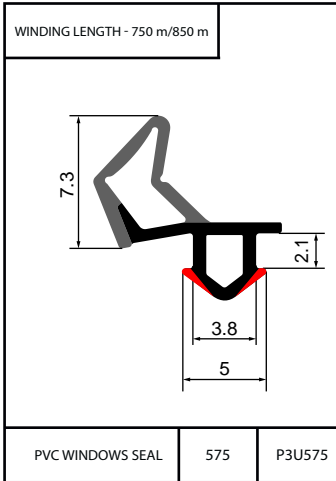


SEALS FOR PVC CONSTRUCTIONS TWO-, THREECOMPONENTS



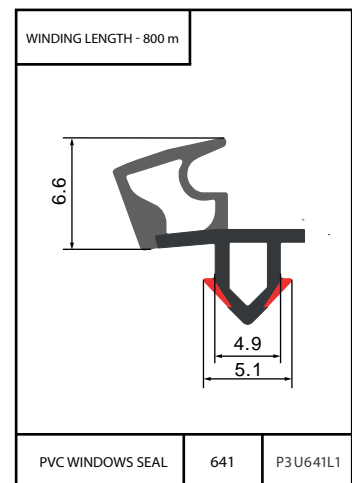
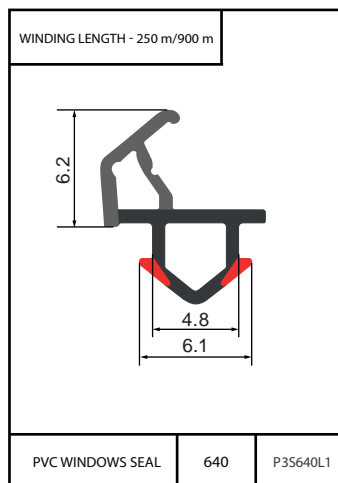
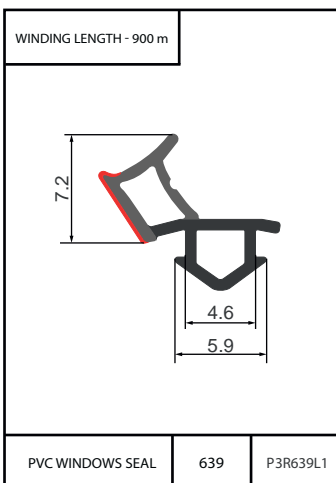
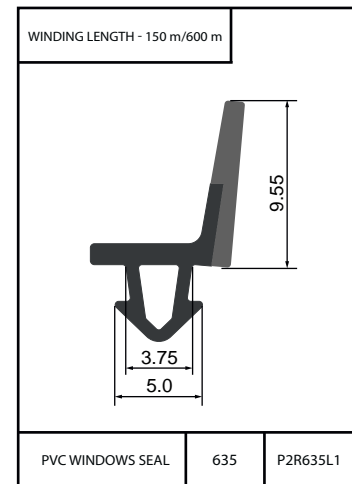
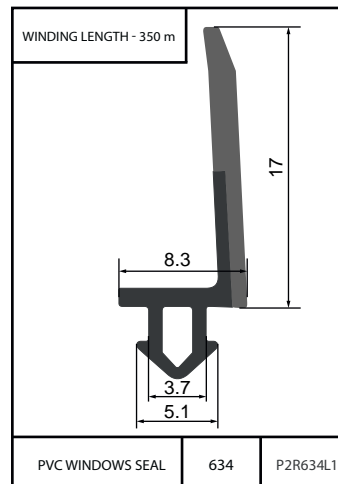
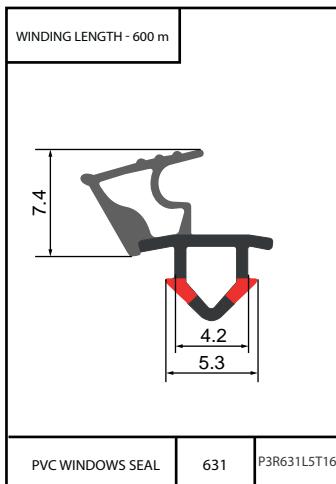
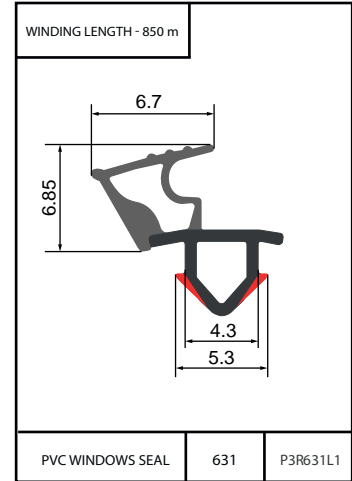
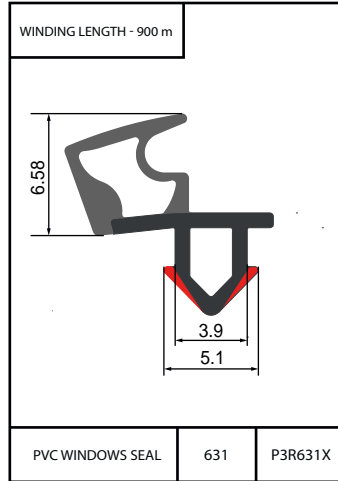
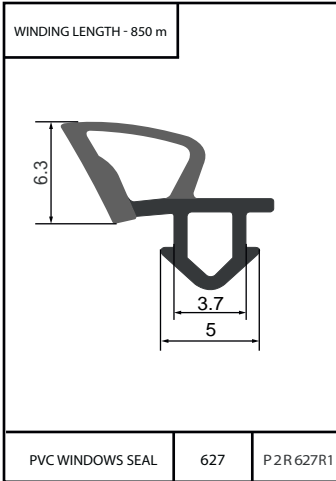


SEALS FOR PVC CONSTRUCTIONS TWO-, THREecomponents



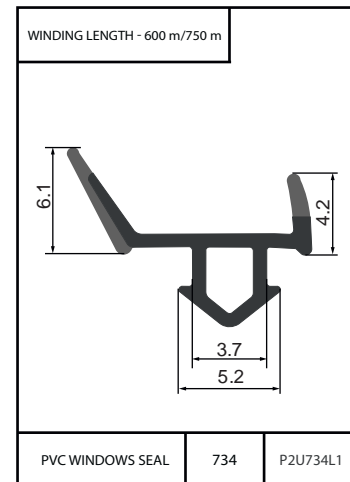
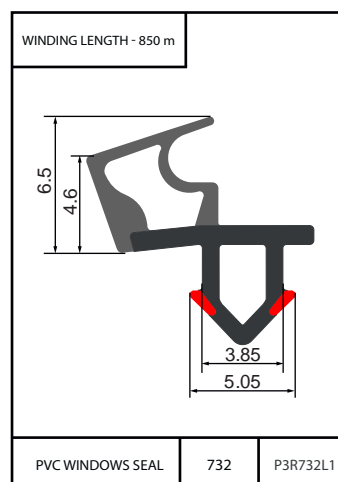
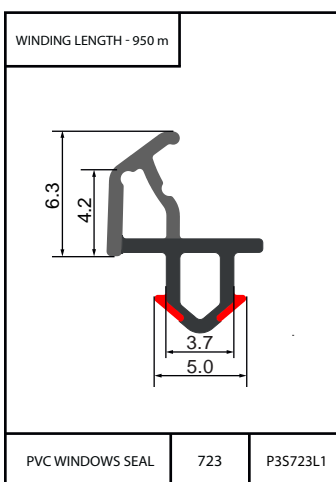
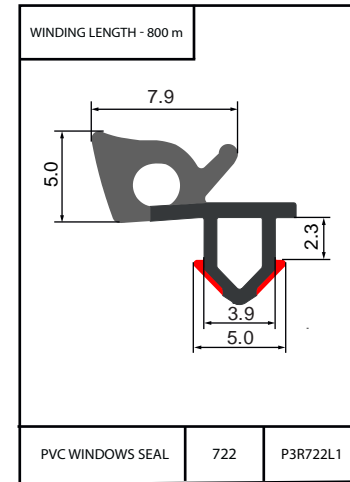
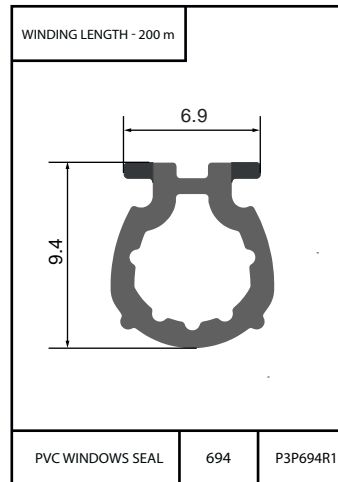
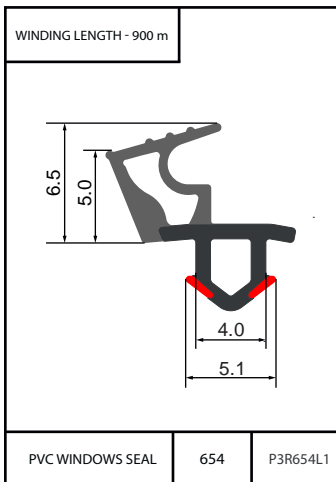
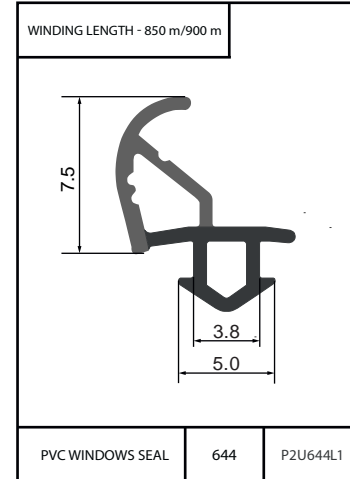
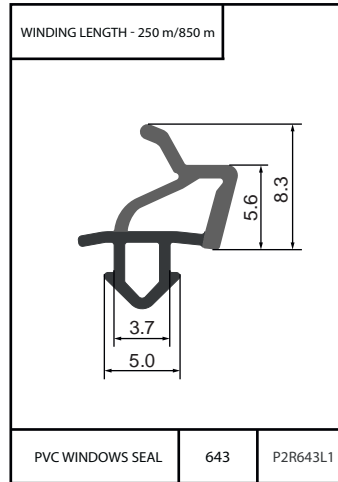
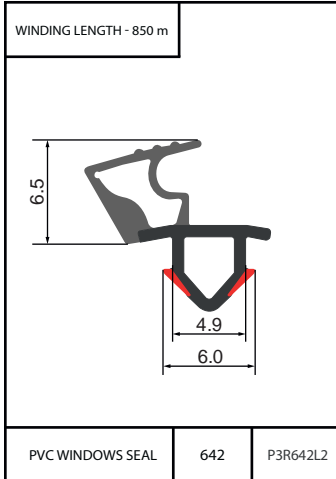


SEALS FOR PVC CONSTRUCTIONS TWO-, THREecomponents



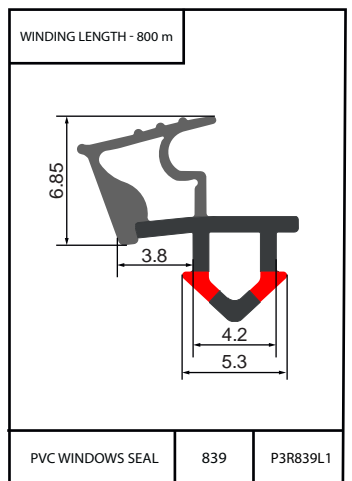
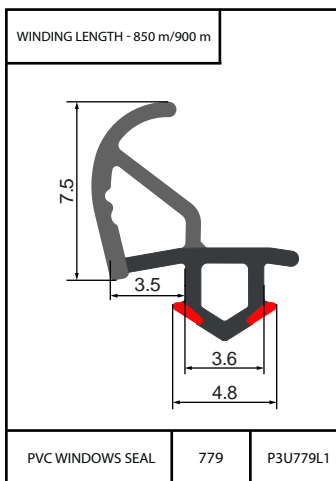
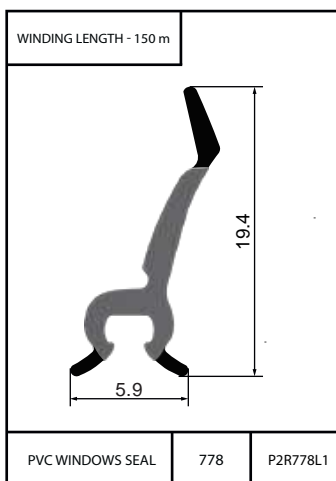
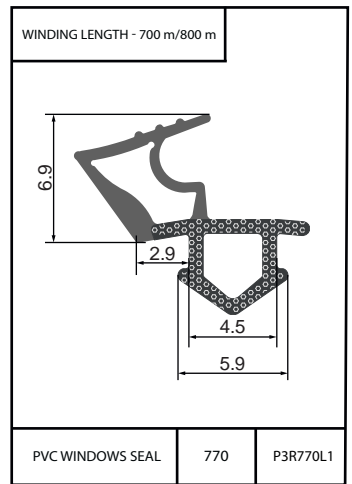
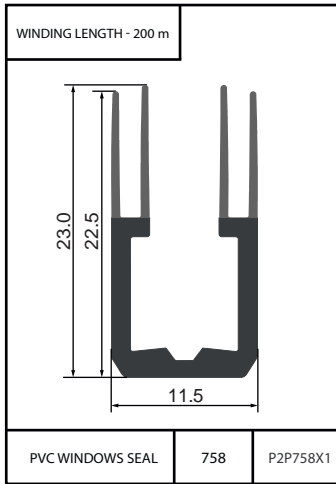
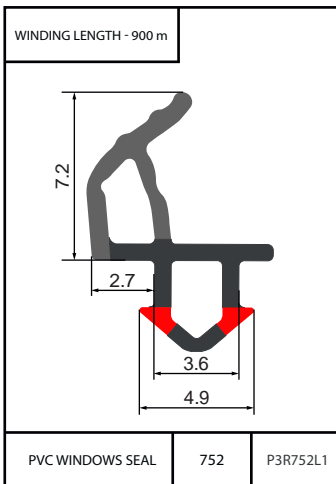
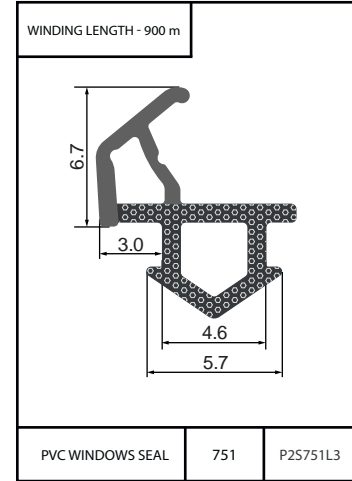
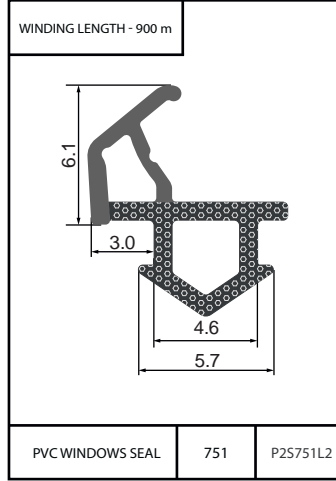
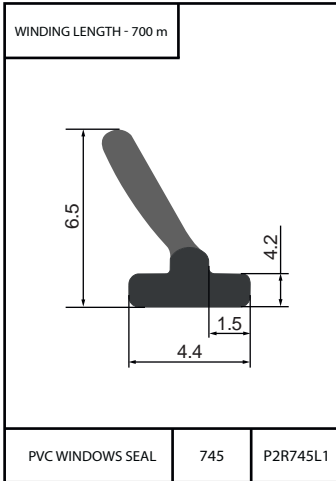


SEALS FOR PVC CONSTRUCTIONS TWO-, THREECOMPONENTS



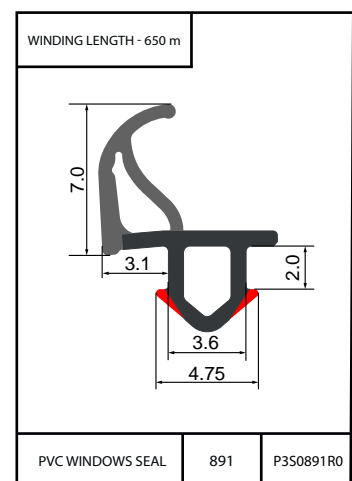
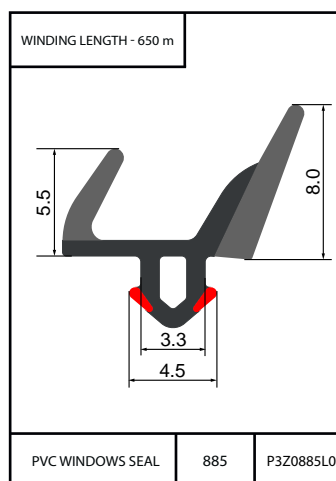
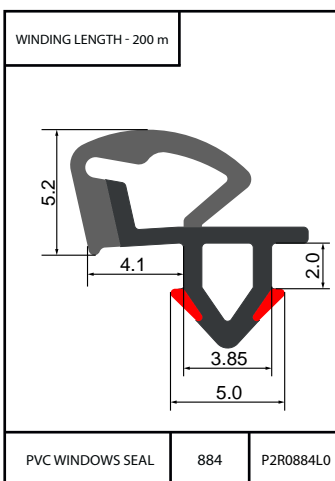
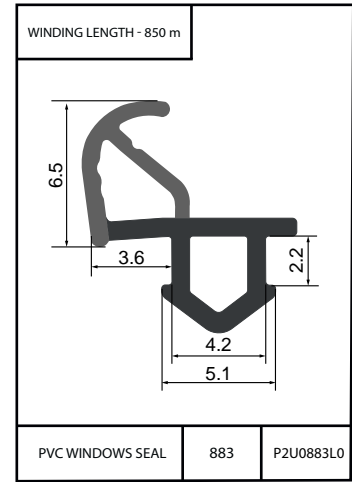
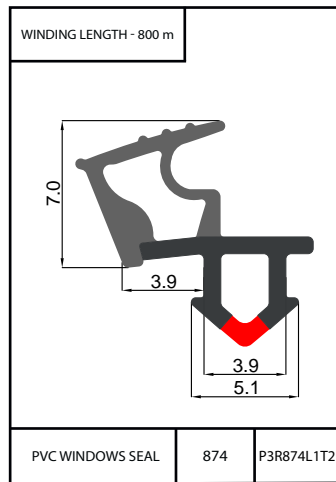
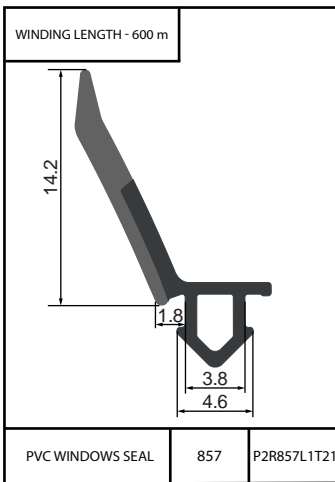
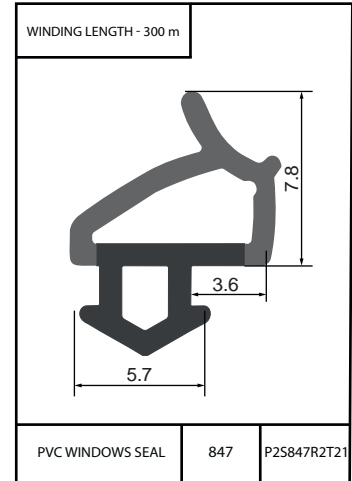
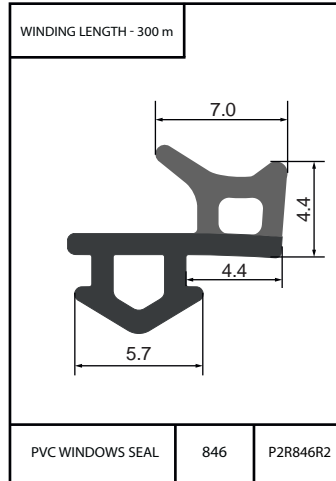
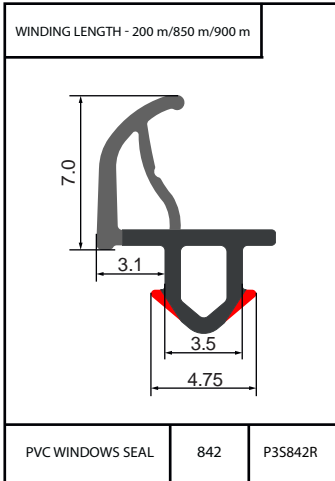


SEALS FOR PVC CONSTRUCTIONS TWO-, THREECOMPONENTS



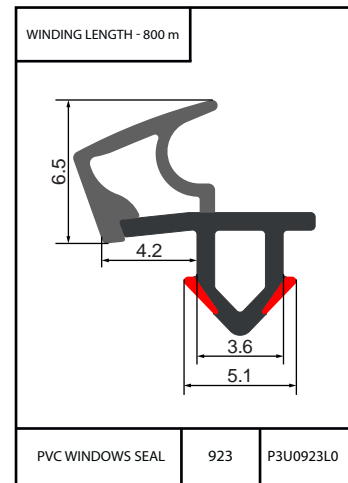
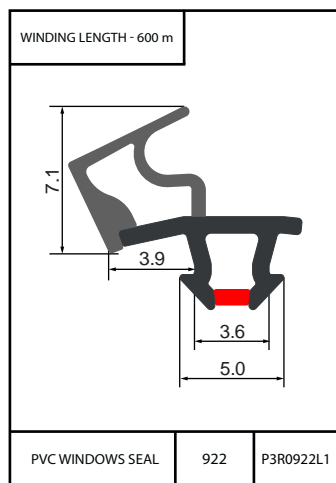
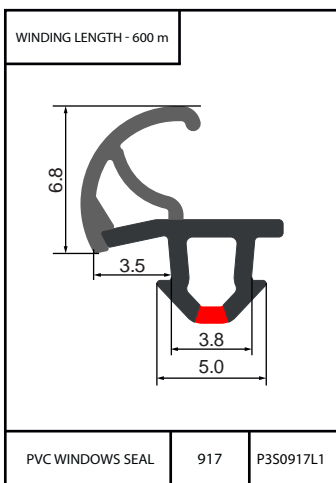
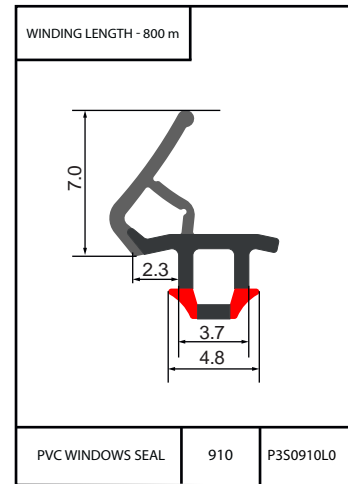
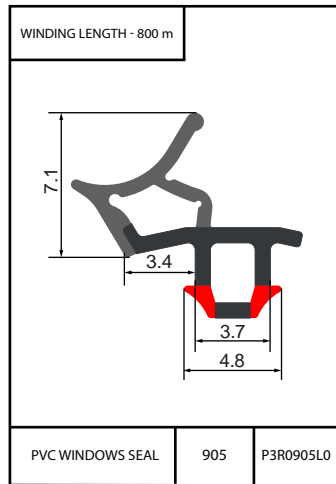
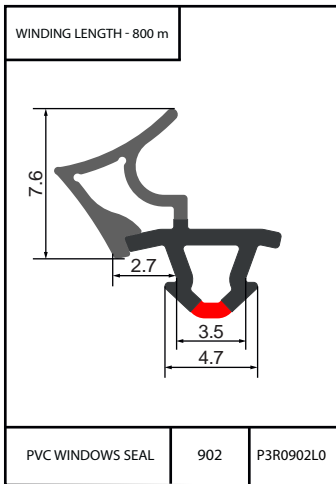
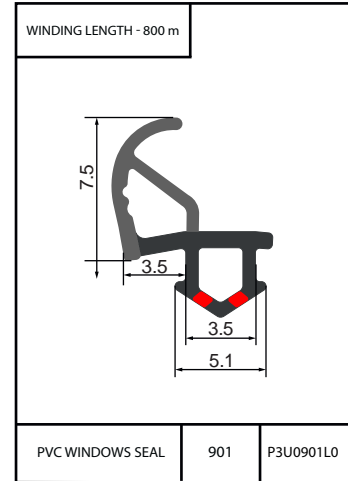
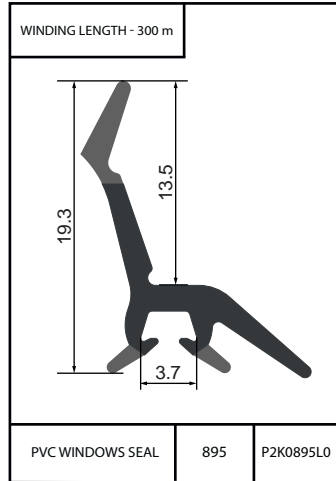
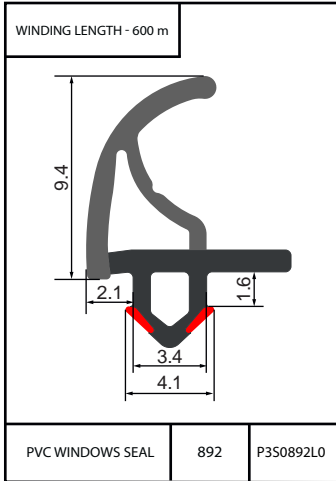


SEALS FOR PVC CONSTRUCTIONS TWO-, THREecomponents





SEALS FOR PVC CONSTRUCTIONS TWO-, THREECOMPONENTS





SEALING SOLUTIONS COMPANY

Bohdan Khmelnitsky avenue 139, Dnipro, Ukraine
+38 067 568 47 46

ul. Sielecka 63 (Hala 7), 42-500, Będzin, Poland
+48 518 110 611

www.asterionplast.com



2025 - 2026